

MAXIMA - MAXIMA PLUS - XT FOOD

Idropulitrice ad acqua fredda
Nettoyeur eau froid
Hochdruckreiniger
Cold water cleaner
Hidrolimpiadora por agua fria



L-LC075.00-BM



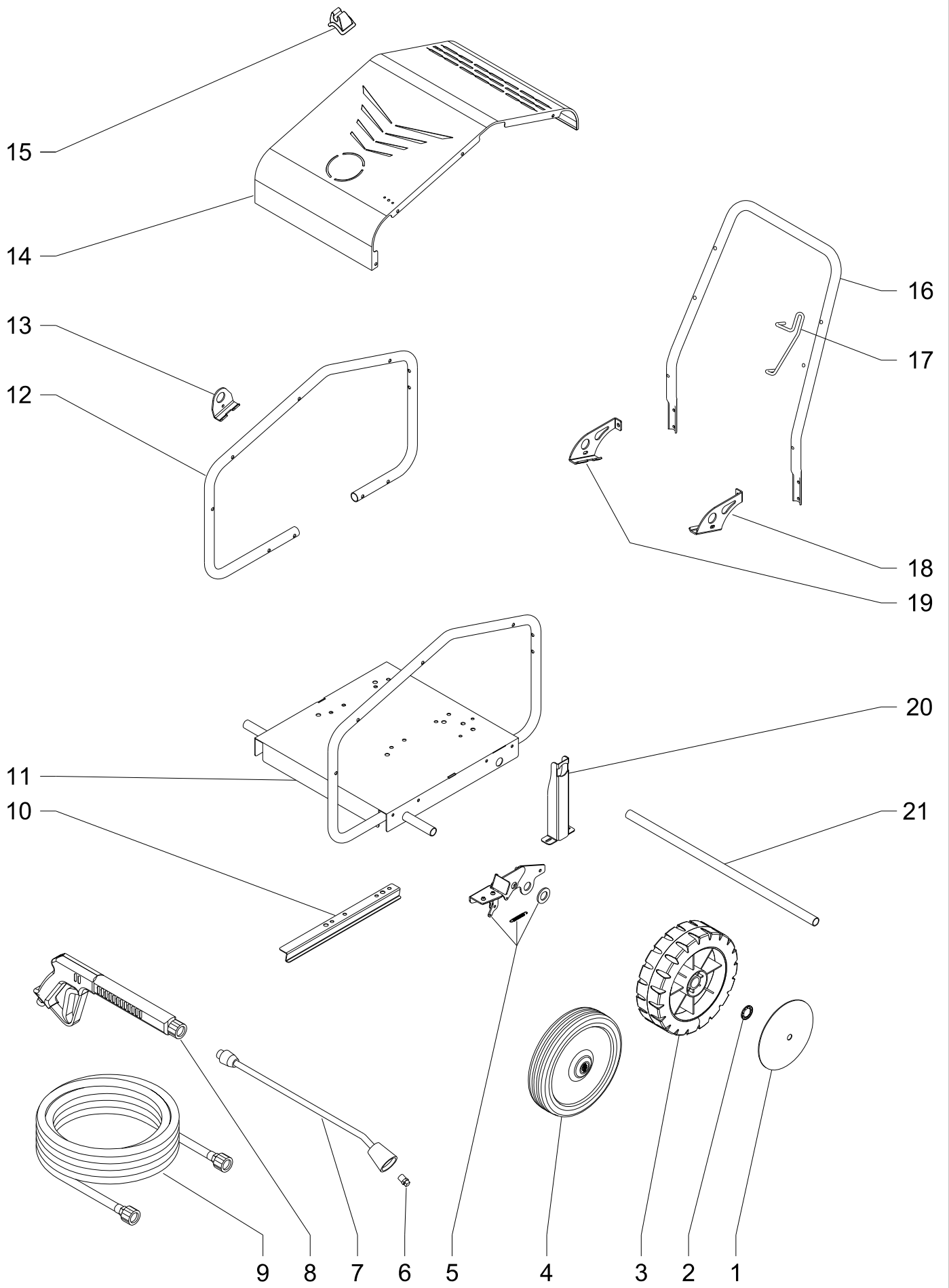
**CATALOGO RICAMBI
SPARE PARTS CATALOGUE
CATALOGUE DES PIECES DE RECHANGE
ERSATZTEILKATALOG
CATALOGO PIEZAS DE REPUESTO**

15/06/2016

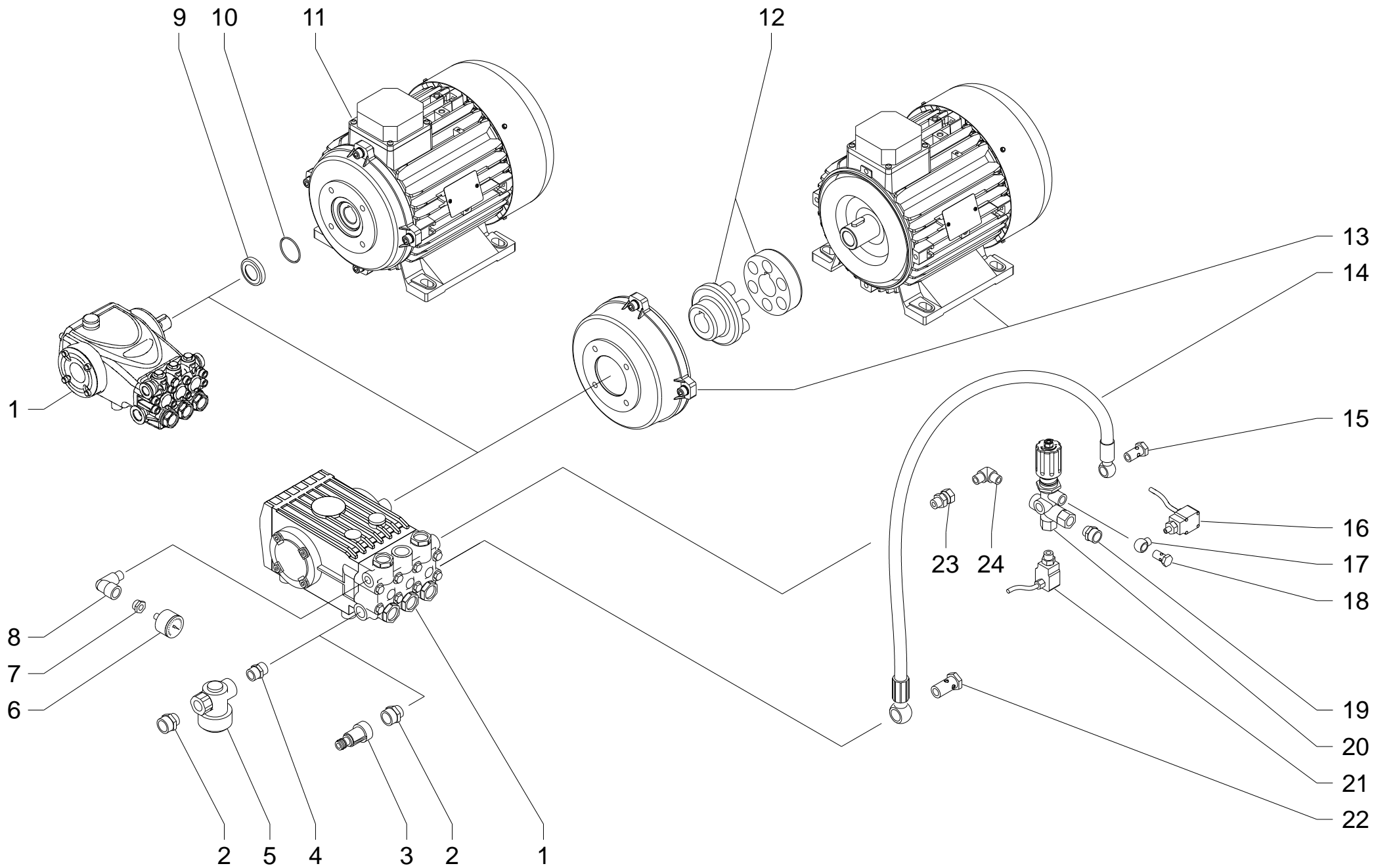
ASS MAXIMA TELAIO

EXPLODED VIEW

TABLE N° EXPL00117B



REF	CODE	QTY	DESCRIPTION	DENOMINATION	BESCHREIBUNG	DESCRIPCION	DESCRIZIONE	TECNICAL FEATURES		
01	C10533	04	HUB CAP	ENJOLIVEUR	HABENDECKEL	TAPA EJE	COPRIMOZZO			
02	M20203	04	WASHER	RONDELLE	DICHTUNG	ARANDELLA	RONDELLA			
03	C10531G	04	WHEEL	ROUE	LAUFRAD	RUEDA	RUOTA	MAXIMA		
04	B. RUOT00038	04	WHEEL	ROUE	LAUFRAD	RUEDA	RUOTA	MAXIMA PLUS		
05	B. PMVR00185	01	BRAKE	FREIN	BREMSE	FRENO	FRENO	KIT		
06	I50295	01	NOZZLE	BUSE	DUSE	BOQUILLA	UGELLO	200.21		
06	I50215	01	NOZZLE	BUSE	DUSE	BOQUILLA	UGELLO	350.15		
06	I50216	01	NOZZLE	BUSE	DUSE	BOQUILLA	UGELLO	160.15 - 300.21		
06	I50276	01	NOZZLE	BUSE	DUSE	BOQUILLA	UGELLO	130.10		
06	I50298	01	NOZZLE	BUSE	DUSE	BOQUILLA	UGELLO	200.30		
06	I50307	01	NOZZLE	BUSE	DUSE	BOQUILLA	UGELLO	180.18 - 200.20		
06	I50284	01	NOZZLE	BUSE	DUSE	BOQUILLA	UGELLO	200.15		
07	01AC419	01	LANCE	LANCE	LANZEN	LANZA	LANCIA			
08	01AC418	01	GRIP	POIGNEE	HANDGRIFF	EMPUNADURA	IMPUGNATURA	130.10 - 160.15		
08	01AC422	01	GRIP	POIGNEE	HANDGRIFF	EMPUNADURA	IMPUGNATURA	180.10-200.15.20.21.30-300.21		
08	01AC447	01	GRIP	POIGNEE	HANDGRIFF	EMPUNADURA	IMPUGNATURA	350.15		
09	01AC381	01	HOSE	TUYAU	ROHR	TUBO	TUBO	MAXIMA PLUS 130-160-180(15m		
09	01AC398	01	HOSE	TUYAU	ROHR	TUBO	TUBO	MAXIMA (10m nero/black)		
09	01AC401	01	HOSE	TUYAU	ROHR	TUBO	TUBO	MAXIMA 130.10-160.15-180(10m		
09	01AC425	01	HOSE	TUYAU	ROHR	TUBO	TUBO	MAXIMA PLUS (15m grigio/grey)		
10	B. CRDS00879	01	REINFORCEMENT	RENFORT	VERSTARKUNG	REFUERZO	RINFORZO	MAXIMA PLUS		
10	B. CRZN00685	01	REINFORCEMENT	RENFORT	VERSTARKUNG	REFUERZO	RINFORZO	MAXIMA		
11	B. CRDS00792	01	FRAME	CHASSIS	GERUST	CHASIS	TELAIO	MAXIMA PLUS		
11	B. CRVR00720	01	FRAME	CHASSIS	GERUST	CHASIS	TELAIO	MAXIMA		
12	B. CRDS00794	02	FRAME	CHASSIS	GERUST	CHASIS	TELAIO	MAXIMA PLUS		
12	B. CRVR00721	02	FRAME	CHASSIS	GERUST	CHASIS	TELAIO	MAXIMA		
13	B. CRDS00798	04	HOOK	CROCHET	HAKEEN	GANCHO	GANCIO			
14	B. CRDS00796	01	HOOD	CAPOT	HAUBE	COFRE	COFANO	MAXIMA PLUS		
14	B. CRDS00804	01	HOOD	CAPOT	HAUBE	COFRE	COFANO	MAXIMA		
15	B. PLDS00325	01	SUPPORT	SUPPORT	HALTER	SOPORTE	SUPPORTO			
16	B. CRDS00795	01	HANDLE	POIGNEE	SCHAKEL	MANILLAR	MANIGLIONE	MAXIMA PLUS		
16	B. CRVR00722	01	HANDLE	POIGNEE	SCHAKEL	MANILLAR	MANIGLIONE	MAXIMA		
17	B. CRDS00805	01	SUPPORT	SUPPORT	HALTER	SOPORTE	SUPPORTO			
18	B. CRDS00822	01	HOOK	CROCHET	HAKEEN	GANCHO	GANCIO			
19	B. CRDS00821	01	HOOK	CROCHET	HAKEEN	GANCHO	GANCIO			
20	B. CRDS00902	01	SUPPORT	SUPPORT	HALTER	SOPORTE	SUPPORTO	130.10 - 160.15		
20	B. CRDS00903	01	SUPPORT	SUPPORT	HALTER	SOPORTE	SUPPORTO	180.18 - 200.15 - 200.20 - 200.21		
20	B. CRDS00904	01	SUPPORT	SUPPORT	HALTER	SOPORTE	SUPPORTO	200.30 - 300.21 - 350.15		
21	B. CRVR00723	02	AXLE	AXE	ACHESE	EJE	ASSE	MAXIMA		
21	B. CRDS00793	02	AXLE	AXE	ACHESE	EJE	ASSE	MAXIMA PLUS		



REF	CODE	QTY	DESCRIPTION	DENOMINATION	BESCHREIBUNG	DESCRIPCION	DESCRIZIONE	TECNICAL FEATURES
01	I10262	01	PUMP	POMPE	PUMPE	BOMBA	POMPA	180.18
01	B. POMP00025	01	PUMP	POMPE	PUMPE	BOMBA	POMPA	130.10
01	I10208	01	PUMP	POMPE	PUMPE	BOMBA	POMPA	160.15 - 200.15
02	B. RCVR00173	01	NIPPLE	NIPPLE	NIPPEL	NIPLO	NIPPLO	
03	B. RCVR00215	01	FILTER	FILTRE	FILTER	FILTRO	FILTRO	130.10 - 160.15
04	B. RCVR00011	01	NIPPLE	NIPPLE	NIPPEL	NIPLO	NIPPLO	
05	I20506	01	FILTER	FILTRE	FILTER	FILTRO	FILTRO	180.18 - 200.15
06	S10323	01	PRESSURE GAUGE	MANOMETRE	DRUCKMESSER	MANOMETRO	MANOMETRO	180.18 - 200.15
06	S10323	01	PRESSURE GAUGE	MANOMETRE	DRUCKMESSER	MANOMETRO	MANOMETRO	180.18 - 200.15
06	S10324	01	PRESSURE GAUGE	MANOMETRE	DRUCKMESSER	MANOMETRO	MANOMETRO	130.10 - 160.15
07	I20203	01	REDUCTION	RÉDUCTION	VERKLEINERUNG	REDUCCIÓN	RIDUZIONE	
08	I30711	01	CONNECTOR	RACCORD	VERBIND. STUCK	RACORD	RACCORDO	
08	I30711	01	CONNECTOR	RACCORD	VERBIND. STUCK	RACORD	RACCORDO	
09	B. CRDS00774	01	BUSHING	DOUILLE	BUCHSE	MANGUITO	BOCCOLA	
10	B. GUAR00130	01	O-RING	O-RING	O-RING	O-RING	O-RING	
11	B. MOAC00056	01	MOTOR	MOTEUR	MOTOR	MOTOR	MOTORE	130.10 240V UK version
11	B. MOAC00040	01	MOTOR	MOTEUR	MOTOR	MOTOR	MOTORE	130.10 230V/50Hz
11	B. MOAC00048	01	MOTOR	MOTEUR	MOTOR	MOTOR	MOTORE	160.15 400V/50Hz
12	B. CPMT00009	01	FLEX. COUPLING	ACCOUPEMENT FL	FLEX. KOPPELUNG	ACOPLADOR FLEX.	GIUNTO	
13	B. MOAC00063	01	MOTOR	MOTEUR	MOTOR	MOTOR	MOTORE	180.18 - 200.15 400V/50Hz
14	B. TURRE00053	01	HOSE	TUYAU	ROHR	TUBO	TUBO	
15	B. RCVR00018	01	SCREW	VIS CREUSE	HOHSCHRAUBE	TORNILLO HUECO	VITE CAVA	
16	B. MEIP00058	01	PRESSURE SWITCH	PRESSOSTAT	DRUCKSCHALTER	INTERR. PRESIÓN	PRESSOSTATO	
17	B. RCVR00064	01	CONNECTOR	RACCORD	VERBIND. STUCK	RACORD	RACCORDO	
18	B. RCVR00065	01	SCREW	VIS CREUSE	HOHSCHRAUBE	TORNILLO HUECO	VITE CAVA	
19	I20920	01	NIPPLE	NIPPLE	NIPPEL	NIPLO	NIPPLO	
20	B. VLRG00038	01	VALVE	SOUPAPE	VENTIL	VALVULA	VALVOLA	
21	B. MEIP00052	01	PRESSURE SWITCH	PRESSOSTAT	DRUCKSCHALTER	INTERR. PRESIÓN	PRESSOSTATO	
22	B. RCVR00023	01	SCREW	VIS CREUSE	HOHSCHRAUBE	TORNILLO HUECO	VITE CAVA	
23	I20602	01	CONNECTOR	RACCORD	VERBIND. STUCK	RACORD	RACCORDO	
23	I20602	01	CONNECTOR	RACCORD	VERBIND. STUCK	RACORD	RACCORDO	
24	I30710	01	CONNECTOR	RACCORD	VERBIND. STUCK	RACORD	RACCORDO	

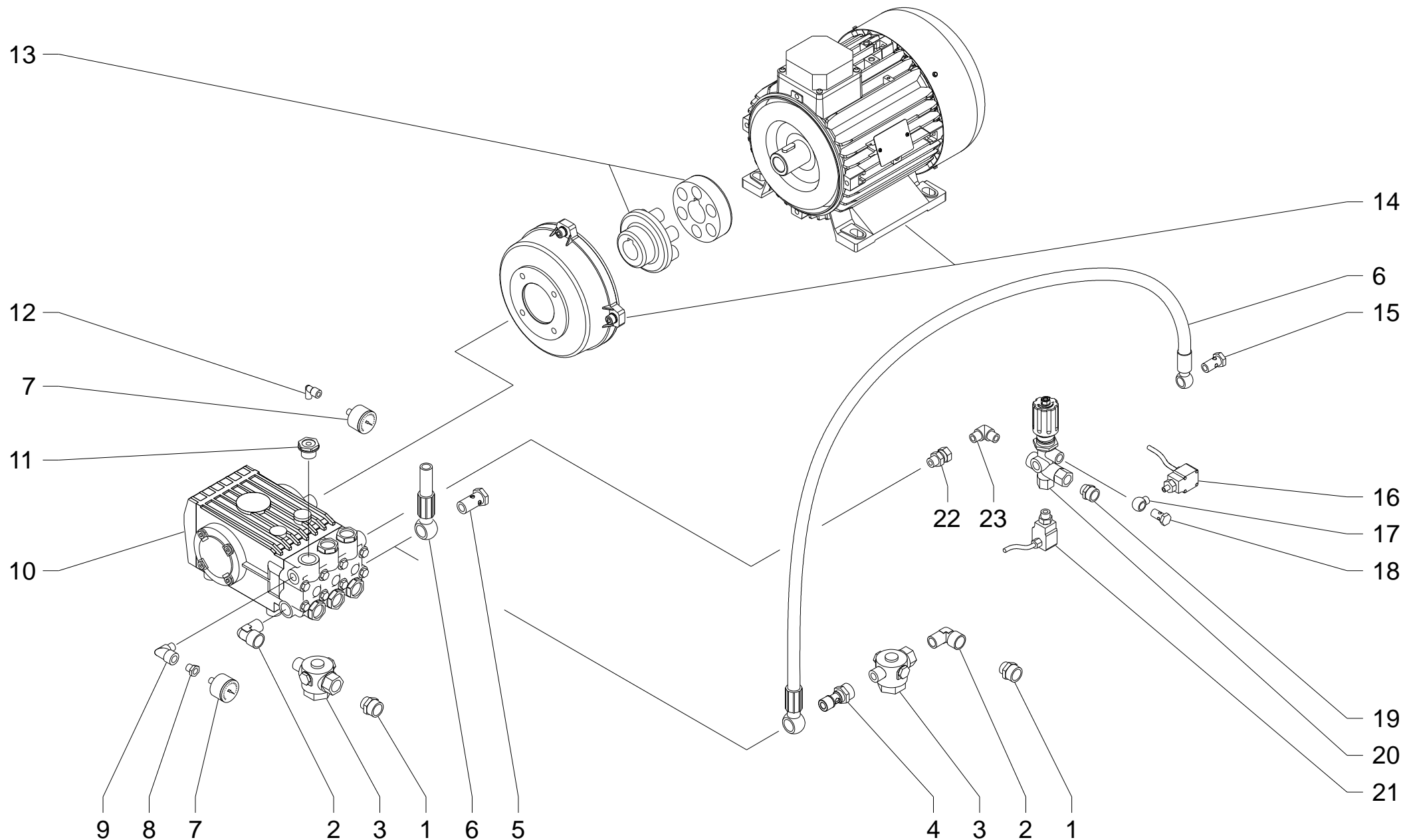


TABLE N° EXPL00139C

SPARE PARTS LIST

MAXIMA 200.20-200.21 MOT-POMP

27/03/2017

REF	CODE	QTY	DESCRIPTION	DENOMINATION	BESCHREIBUNG	DESCRIPCION	DESCRIZIONE	TECNICAL FEATURES		
01	B. RCVR00173	01	NIPPLE	NIPPLE	NIPPEL	NIPO	NIPPO			
02	I20305	01	CONNECTOR	RACCORD	VERBIND. STUCK	RACORD	RACCORDO			
03	B. FILT00027	01	FILTER	FILTRE	FILTER	FILTRO	FILTRO			
04	B. RCVR00202	01	SCREW	VIS CREUSE	HOHSCHRAUBE	TORNILLO HUECO	VITE CAVA	200.20		
05	B. RCVR00023	01	SCREW	VIS CREUSE	HOHSCHRAUBE	TORNILLO HUECO	VITE CAVA	200.21		
06	B. TURR00053	01	HOSE	TUYAU	ROHR	TUBO	TUBO			
07	S10323	01	PRESSURE GAUGE	MANOMETRE	DRUCKMESSER	MANOMETRO	MANOMETRO			
08	I20203	01	REDUCTION	RÉDUCTION	VERKLEINERUNG	REDUCCIÓN	RIDUZIONE	200.21		
09	I30711	01	CONNECTOR	RACCORD	VERBIND. STUCK	RACORD	RACCORDO	200.21		
10	I10235	01	PUMP	POMPE	PUMPE	BOMBA	POMPA	200.20		
10	I10216	01	PUMP	POMPE	PUMPE	BOMBA	POMPA	200.21		
11	B. RCVR00213	01	CONNECTOR	RACCORD	VERBIND. STUCK	RACORD	RACCORDO	200.20		
12	B. RCVR00000	01	CONNECTOR	RACCORD	VERBIND. STUCK	RACORD	RACCORDO	200.20		
13	B. CPMT00009	01	FLEX. COUPLING	ACCOUPLMENT FL	FLEX. KOPPELUNG	ACOPLADOR FLEX.	GIUNTO			
14	B. MOAC00064	01	MOTOR	MOTEUR	MOTOR	MOTOR	MOTORE			
15	B. RCVR00018	01	SCREW	VIS CREUSE	HOHSCHRAUBE	TORNILLO HUECO	VITE CAVA			
16	B. MEIP00058	01	PRESSURE SWITCH	PRESSOSTAT	DRUCKSCHALTER	INTERR. PRESIÓN	PRESSOSTATO			
17	B. RCVR00064	01	CONNECTOR	RACCORD	VERBIND. STUCK	RACORD	RACCORDO			
18	B. RCVR00065-1	01	SCREW	VIS CREUSE	HOHSCHRAUBE	TORNILLO HUECO	VITE CAVA			
19	I20920	01	NIPPLE	NIPPLE	NIPPEL	NIPO	NIPPO			
20	B. VLRG00038	01	VALVE	SOUPAPE	VENTIL	VALVULA	VALVOLA			
21	B. MEIP00052	01	PRESSURE SWITCH	PRESSOSTAT	DRUCKSCHALTER	INTERR. PRESIÓN	PRESSOSTATO			
22	I20602	01	CONNECTOR	RACCORD	VERBIND. STUCK	RACORD	RACCORDO			
23	I30710	01	CONNECTOR	RACCORD	VERBIND. STUCK	RACORD	RACCORDO			

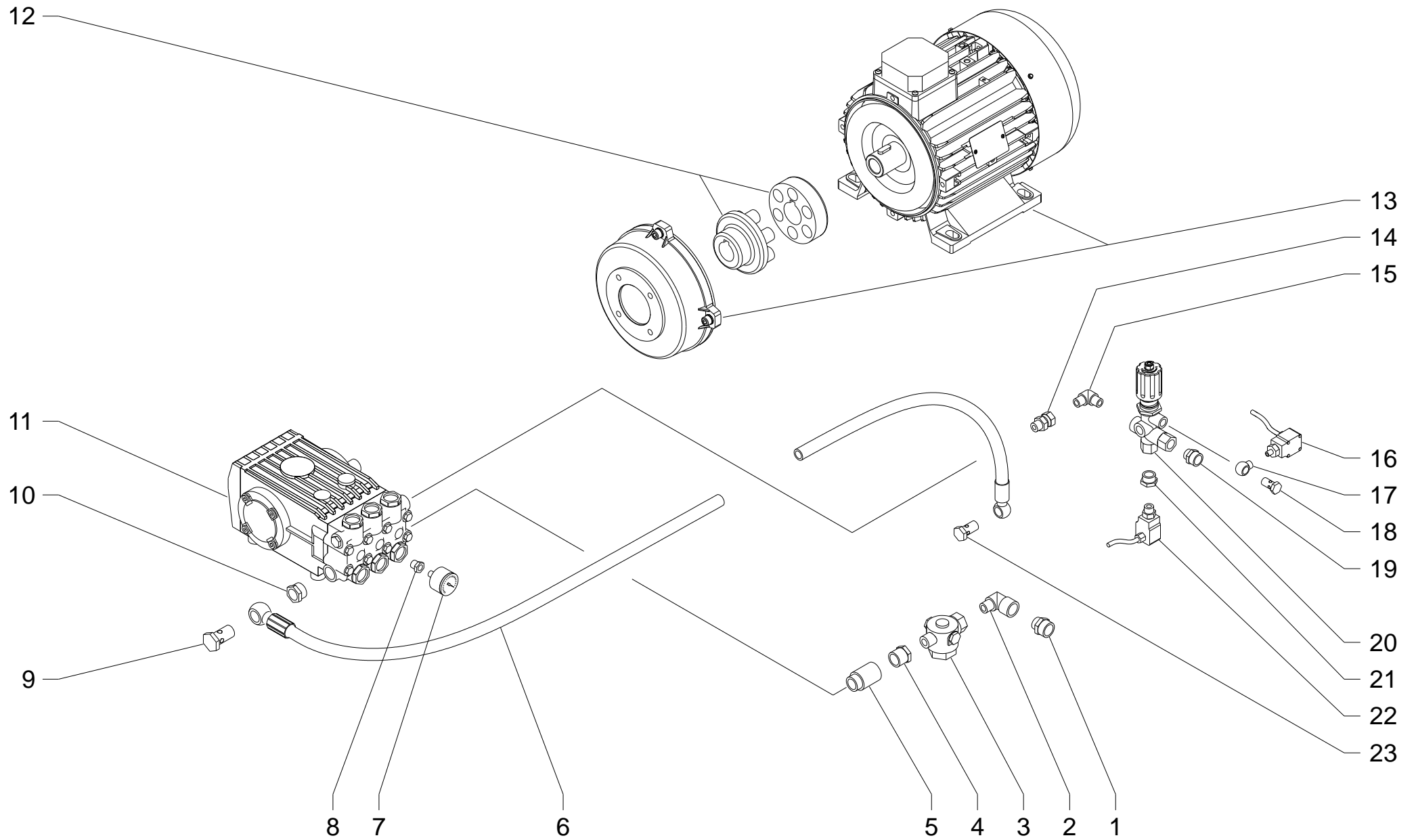


TABLE N° EXPL00140

SPARE PARTS LIST

MAXIMA 200.30-300.21 MOT-POMP

27/03/2017

REF	CODE	QTY	DESCRIPTION	DENOMINATION	BESCHREIBUNG	DESCRIPCION	DESCRIZIONE	TECNICAL FEATURES		
01	B. RCVR00173	01	NIPPLE	NIPPLE	NIPPEL	NIPLO	NIPPLO			
02	I20305	01	CONNECTOR	RACCORD	VERBIND. STUCK	RACORD	RACCORDO			
03	B. FILT00027	01	FILTER	FILTRE	FILTER	FILTRO	FILTRO			
04	I20204	01	REDUCTION	RÉDUCTION	VERKLEINERUNG	REDUCCIÓN	RIDUZIONE			
05	B. RCVR00138	01	CONNECTOR	RACCORD	VERBIND. STUCK	RACORD	RACCORDO			
06	B. TURR00053	01	HOSE	TUYAU	ROHR	TUBO	TUBO			
07	S10323	01	PRESSURE GAUGE	MANOMETRE	DRUCKMESSER	MANOMETRO	MANOMETRO			
08	I20203	01	REDUCTION	RÉDUCTION	VERKLEINERUNG	REDUCCIÓN	RIDUZIONE			
09	B. RCVR00023	01	SCREW	VIS CREUSE	HOHSCHRAUBE	TORNILLO HUECO	VITE CAVA			
10	B. RCVR00107	01	REDUCTION	RÉDUCTION	VERKLEINERUNG	REDUCCIÓN	RIDUZIONE			
11	B. POMP00019	01	PUMP	POMPE	PUMPE	BOMBA	POMPA	300.21		
11	I10249	01	PUMP	POMPE	PUMPE	BOMBA	POMPA	200.30		
12	I10513	01	FLEX. COUPLING	ACCOUPEMENT FL	FLEX. KOPPELUNG	ACOPLADOR FLEX.	GIUNTO			
13	E10664-10	01	MOTOR	MOTEUR	MOTOR	MOTOR	MOTORE			
14	I20602	01	CONNECTOR	RACCORD	VERBIND. STUCK	RACORD	RACCORDO			
15	I30710	01	CONNECTOR	RACCORD	VERBIND. STUCK	RACORD	RACCORDO			
16	B. MEIP00058	01	PRESSURE SWITCH	PRESSOSTAT	DRUCKSCHALTER	INTERR. PRESIÓN	PRESSOSTATO			
17	B. RCVR00064	01	CONNECTOR	RACCORD	VERBIND. STUCK	RACORD	RACCORDO			
18	B. RCVR00065-1	01	SCREW	VIS CREUSE	HOHSCHRAUBE	TORNILLO HUECO	VITE CAVA			
19	I20920	01	NIPPLE	NIPPLE	NIPPEL	NIPLO	NIPPLO			
20	B. VLRG00038	01	VALVE	SOUPAPE	VENTIL	VALVULA	VALVOLA	200.30		
20	B. VLRG00045	01	VALVE	SOUPAPE	VENTIL	VALVULA	VALVOLA	300.21		
21	I20201	01	REDUCTION	RÉDUCTION	VERKLEINERUNG	REDUCCIÓN	RIDUZIONE	300.21		
22	B. MEIP00052	01	PRESSURE SWITCH	PRESSOSTAT	DRUCKSCHALTER	INTERR. PRESIÓN	PRESSOSTATO			
23	B. RCVR00018	01	SCREW	VIS CREUSE	HOHSCHRAUBE	TORNILLO HUECO	VITE CAVA			

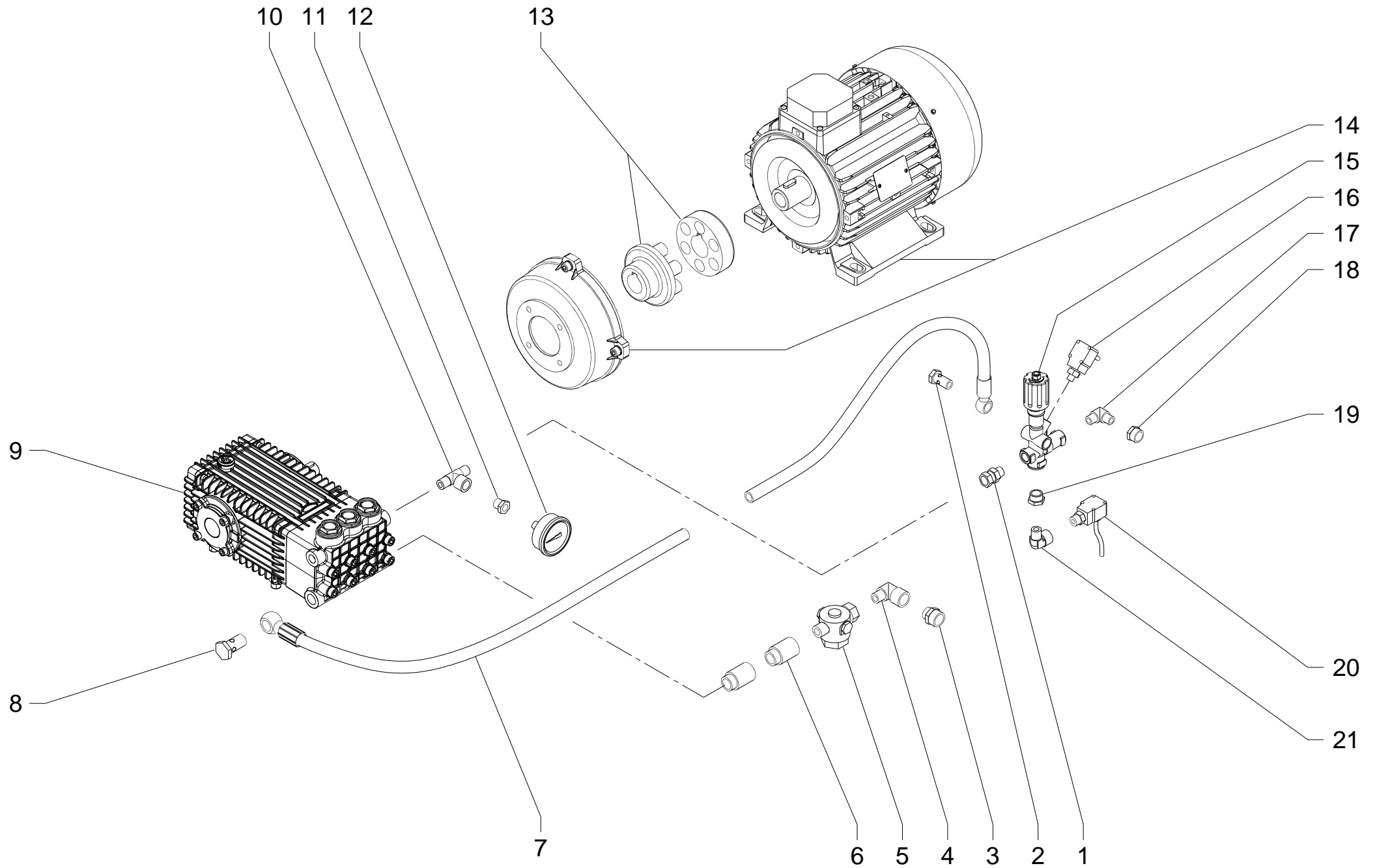


TABLE N° EXPL00141

SPARE PARTS LIST

MAXIMA 350.15 MOT-POMP

24/02/2017

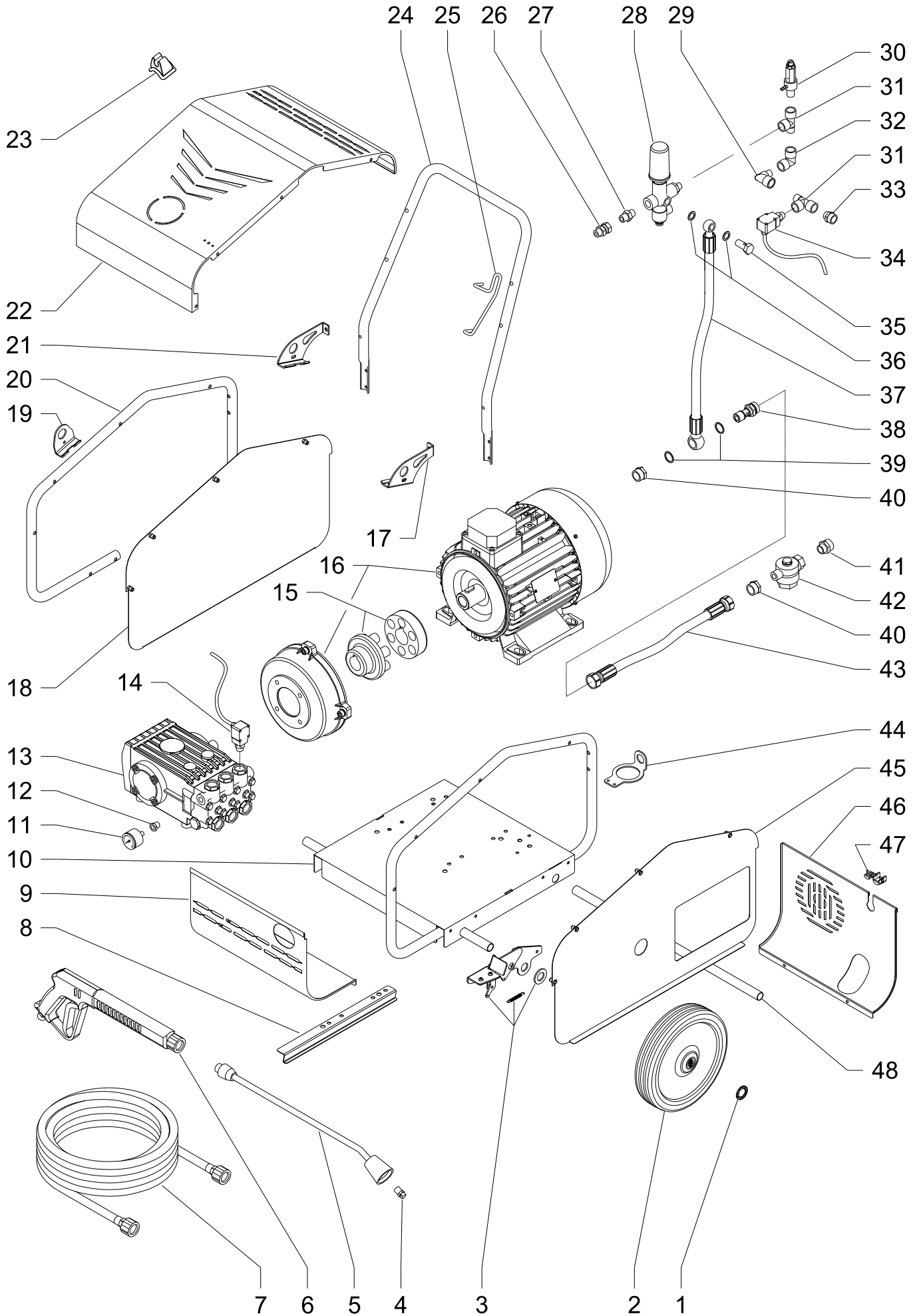
REF	CODE	QTY	DESCRIPTION	DENOMINATION	BESCHREIBUNG	DESCRIPCION	DESCRIZIONE	TECNICAL FEATURES		
01	I20602	01	CONNECTOR	RACCORD	VERBIND. STUCK	RACORD	RACCORDO			
02	B. RCVR00018	01	SCREW	VIS CREUSE	HOHSCHRAUBE	TORNILLO HUECO	VITE CAVA			
03	B. RCVR00173	01	NIPPLE	NIPPLE	NIPPEL	NIPLO	NIPPLO			
04	I20305	01	CONNECTOR	RACCORD	VERBIND. STUCK	RACORD	RACCORDO			
05	B. FILT00027	01	FILTER	FILTRE	FILTER	FILTRO	FILTRO			
06	B. RCVR00063	02	CONNECTOR	RACCORD	VERBIND. STUCK	RACORD	RACCORDO			
07	B. TUIR00053	01	HOSE	TUYAU	ROHR	TUBO	TUBO			
08	B. RCVR00023	01	SCREW	VIS CREUSE	HOHSCHRAUBE	TORNILLO HUECO	VITE CAVA			
09	B. POMP00029	01	PUMP	POMPE	PUMPE	BOMBA	POMPA			
10	B. RCVR00212	01	CONNECTOR	RACCORD	VERBIND. STUCK	RACORD	RACCORDO			
11	I20208	01	REDUCTION	RÉDUCTION	VERKLEINERUNG	REDUCCIÓN	RIDUZIONE			
12	S10320	01	PRESSURE GAUGE	MANOMETRE	DRUCKMESSER	MANOMETRO	MANOMETRO			
13	I10513	01	FLEX. COUPLING	ACCOUPEMENT FL	FLEX. KOPPELUNG	ACOPLADOR FLEX.	GIUNTO			
14	E10664-10	01	MOTOR	MOTEUR	MOTOR	MOTOR	MOTORE			
15	B. VLRG00044	01	VALVE	SOUPAPE	VENTIL	VALVULA	VALVOLA			
16	B. MEIP00058	01	PRESSURE SWITCH	PRESSOSTAT	DRUCKSCHALTER	INTERR. PRESIÓN	PRESSOSTATO			
17	I30710	01	CONNECTOR	RACCORD	VERBIND. STUCK	RACORD	RACCORDO			
18	I20902	01	REDUCTION	RÉDUCTION	VERKLEINERUNG	REDUCCIÓN	RIDUZIONE			
19	I20201	01	REDUCTION	RÉDUCTION	VERKLEINERUNG	REDUCCIÓN	RIDUZIONE			
20	B. MEIP00052	01	PRESSURE SWITCH	PRESSOSTAT	DRUCKSCHALTER	INTERR. PRESIÓN	PRESSOSTATO			
21	B. I30711	01	CONNECTOR	RACCORD	VERBIND. STUCK	RACORD	RACCORDO			

15/06/2016

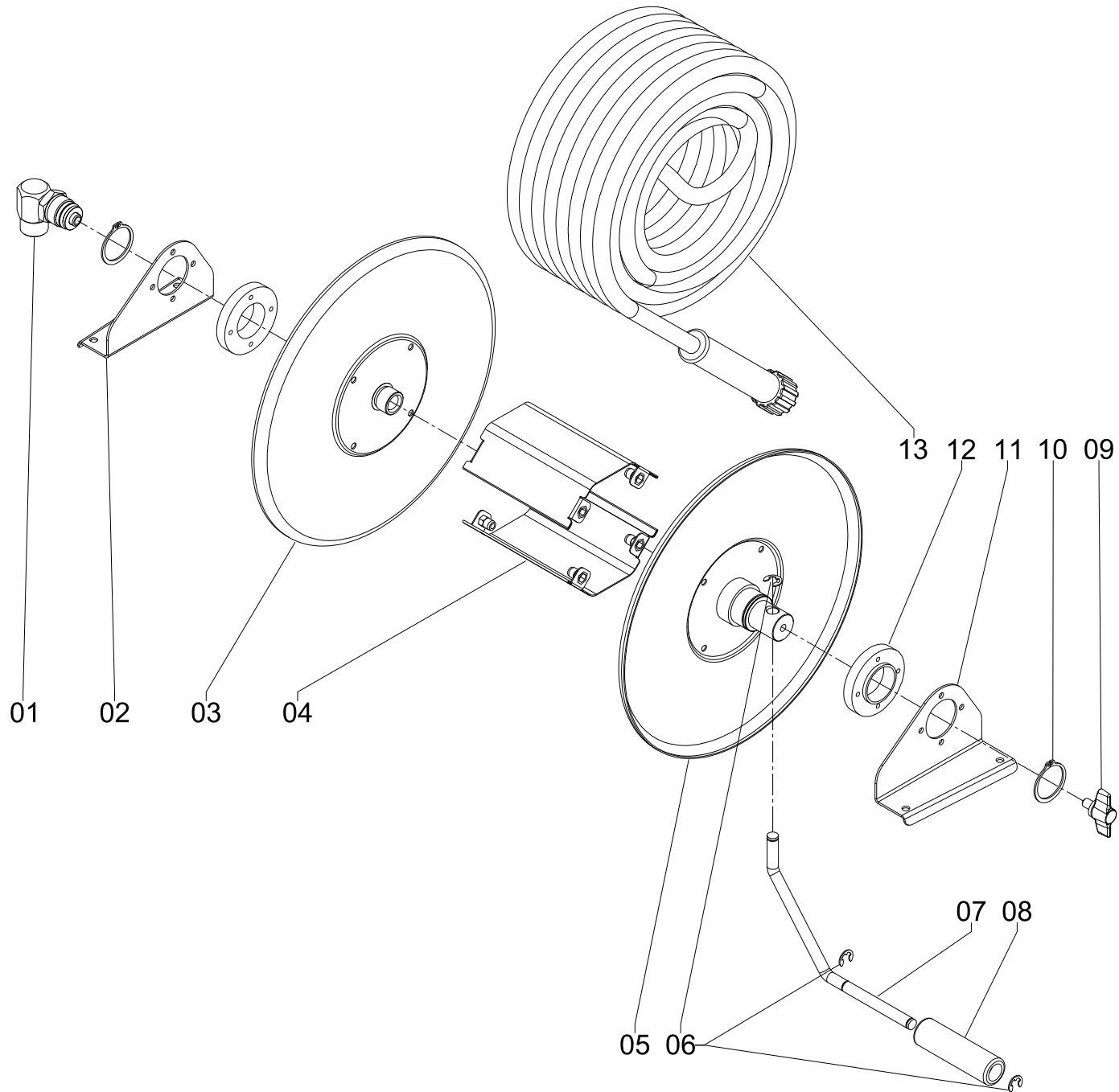
ASS MAXIMA XT FOOD

EXPLODED VIEW

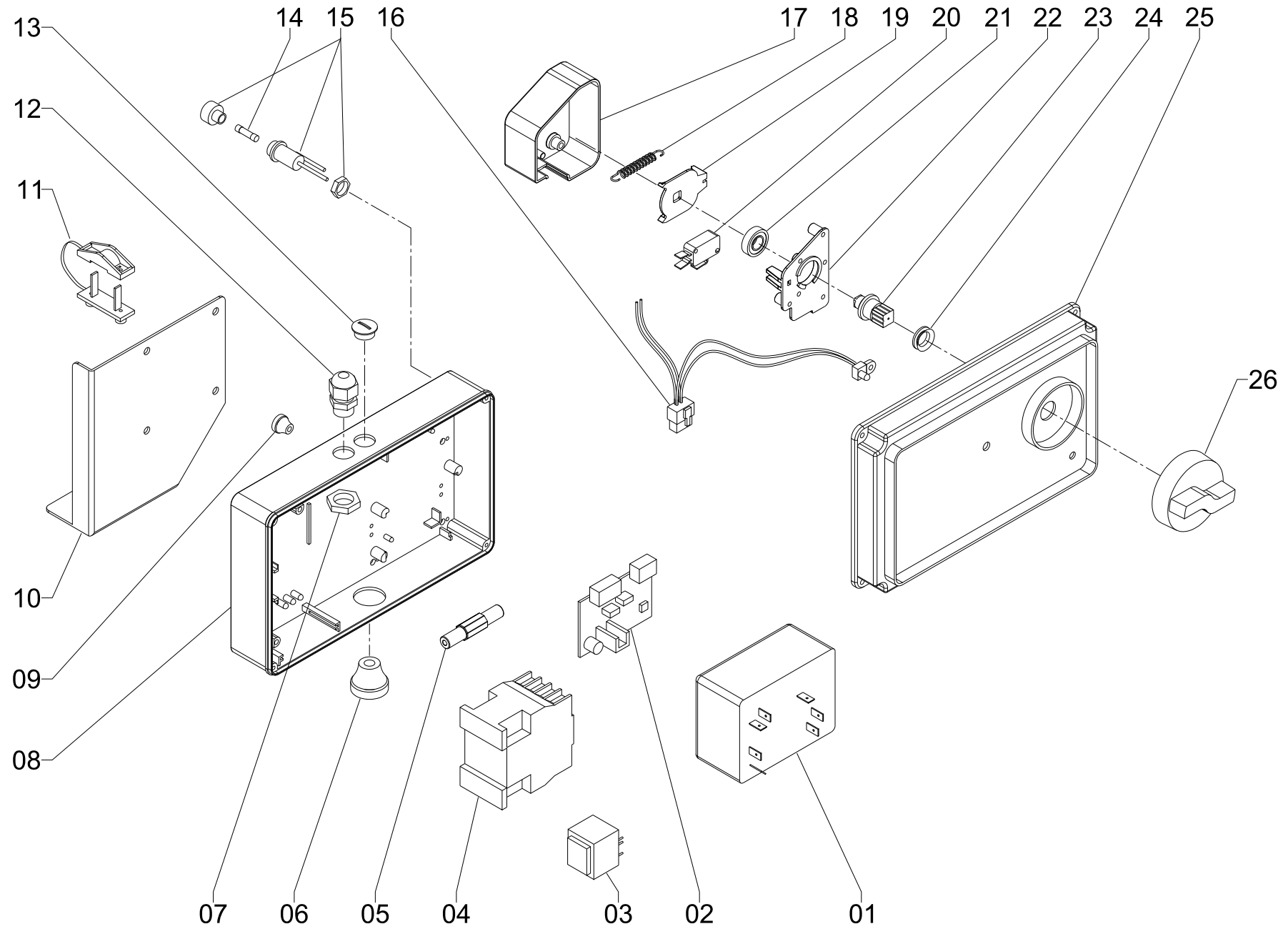
TABLE N° EXPL00119B



REF	CODE	QTY	DESCRIPTION	DENOMINATION	BESCHREIBUNG	DESCRIPCION	DESCRIZIONE	TECNICAL FEATURES		
01	M20203	04	WASHER	RONDELLE	DICHTUNG	ARANDELLA	RONDELLA			
02	B. RUOT00038	04	WHEEL	ROUE	LAUFRAD	RUEDA	RUOTA			
03	B. PMVR00185	01	BRAKE	FREIN	BREMSE	FRENO	FRENO	KIT		
04	I50216	01	NOZZLE	BUSE	DUSE	BOQUILLA	UGELLO			
05	01AC419	01	LANCE	LANCE	LANZEN	LANZA	LANCIA			
06	01AC422	01	GRIP	POIGNEE	HANDGRIFF	EMPUNADURA	IMPUGNATURA			
07	01AC381	01	HOSE	TUYAU	ROHR	TUBO	TUBO	R1 15m grigio/grey		
08	B. CRDS00879	01	REINFORCEMENT	RENFORT	VERSTARKUNG	REFUERZO	RINFORZO			
09	B. CRDS00840	01	HOOD	CAPOT	HAUBE	COFRE	COFANO			
10	B. CRDS00792	01	FRAME	CHASSIS	GERUST	CHASIS	TELAIO			
11	S10324	01	PRESSURE GAUGE	MANOMETRE	DRUCKMESSER	MANOMETRO	MANOMETRO			
12	I20203	01	REDUCTION	RÉDUCTION	VERKLEINERUNG	REDUCCIÓN	RIDUZIONE			
13	B. POMP00030	01	PUMP	POMPE	PUMPE	BOMBA	POMPA			
14	B. MEIP00058	01	PRESSURE SWITCH	PRESSOSTAT	DRUCKSCHALTER	INTERR. PRESIÓN	PRESSOSTATO			
15	CPMT00009	01	FLEX. COUPLING	ACCOUPLMENT FL	FLEX. KOPPELUNG	ACOPLADOR FLEX.	GIUNTO			
16	B. MOAC00062	01	MOTOR	MOTEUR	MOTOR	MOTOR	MOTORE			
17	B. CRDS00822	01	HOOK	CROCHET	HAKEEN	GANCHO	GANCIO	sx / left		
18	B. CRDS00842	01	HOOK	CAPOT	HAUBE	COFRE	COFANO			
19	B. CRDS00798	02	HOOK	CROCHET	HAKEEN	GANCHO	GANCIO			
20	B. CRDS00794	02	FRAME	CHASSIS	GERUST	CHASIS	TELAIO			
21	B. CRDS00821	01	HOOK	CROCHET	HAKEEN	GANCHO	GANCIO	dx / right		
22	B. CRDS00796	01	HOOD	CAPOT	HAUBE	COFRE	COFANO			
23	B. PLDS00325	01	SUPPORT	SUPPORT	HALTER	SOPORTE	SUPPORTO			
24	B. CRDS00795	01	HANDLE	POIGNEE	SCHAKEL	MANILLAR	MANIGLIONE			
25	B. CRDS00805	01	SUPPORT	SUPPORT	HALTER	SOPORTE	SUPPORTO			
26	B. I20602	01	CONNECTOR	RACCORD	VERBIND. STUCK	RACORD	RACCORDO			
27	I20102	01	NIPPLE	NIPPLE	NIPPLE	NIPLO	NIPPLO			
28	B. VLRG00011	01	VALVE	SOUPAPE	VENTIL	VALVULA	VALVOLA			
29	I30711	01	CONNECTOR	RACCORD	VERBIND. STUCK	RACORD	RACCORDO			
30	B. VLRG00027	01	VALVE	SOUPAPE	VENTIL	VALVULA	VALVOLA			
31	I30101	02	CONNECTOR	RACCORD	VERBIND. STUCK	RACORD	RACCORDO			
32	I31201	01	CONNECTOR	RACCORD	VERBIND. STUCK	RACORD	RACCORDO			
33	I20920	01	NIPPLE	NIPPLE	NIPPLE	NIPLO	NIPPLO			
34	B. MEIP00052	01	PRESSURE SWITCH	PRESSOSTAT	DRUCKSCHALTER	INTERR. PRESIÓN	PRESSOSTATO			
35	B. RCVR00018	01	SCREW	VIS CREUSE	HOHSCHRAUBE	TORNILLO HUECO	VITE CAVA			
36	B. VTRD00010	02	GASKET	GARNITURE	DICHTUNG	GUARNICION	GUARNIZIONE			
37	B. TURR00053	01	HOSE	TUYAU	ROHR	TUBO	TUBO			
38	B. RCVR00171	01	SCREW	VIS CREUSE	HOHSCHRAUBE	TORNILLO HUECO	VITE CAVA			
39	B. VTRD00011	02	WASHER	RONDELLE	DICHTUNG	ARANDELLA	RONDELLA			
40	I20204	02	REDUCTION	RÉDUCTION	VERKLEINERUNG	REDUCCIÓN	RIDUZIONE			
41	B. RCVR00173	01	CONNECTOR	RACCORD	VERBIND. STUCK	RACORD	RACCORDO			
42	B. FILT00032	01	FILTER	FILTRE	FILTER	FILTRO	FILTRO			
43	B. TURR00041	01	HOSE	TUYAU	ROHR	TUBO	TUBO			
44	B. CRDS00844	01	SUPPORT	SUPPORT	HALTER	SOPORTE	SUPPORTO			
45	B. CRDS00843	01	HOOD	CAPOT	HAUBE	COFRE	COFANO			
46	B. CRDS00841	01	HOOD	CAPOT	HAUBE	COFRE	COFANO			
47	B. MEVR00319	01	CABLE CLAMP	COLLIER	KABELSCHELLE	ABRAZADERA CABL	PRESSACAVO			
48	B. CRDS00793	02	AXLE	AXE	ACHESE	EJE	ASSE			



REF	CODE	QTY	DESCRIPTION	DENOMINATION	BESCHREIBUNG	DESCRIPCION	DESCRIZIONE	TECNICAL FEATURES
01	B. RCVR00207	01	FLEX. COUPLING	ACCOUPEMENT FL	FLEX. KOPPELUNG	ACOPLADOR FLEX.	GIUNTO	(O-RING: B.GUAR00144)
02	B. CRDS00833	01	SUPPORT	SUPPORT	HALTER	SOPORTE	SUPPORTO	
03	B. CRDS00826	01	DISK	DISQUE	SCHEIBE	DISCO	DISCO	
04	B. CRDS00829	02	BODY	CORPS	KORPER	CUERPO	CORPO	
05	B. CRDS00825	01	DISK	DISQUE	SCHEIBE	DISCO	DISCO	
06	B. VTAN00032	03	SEEGER	SEEGER	SEEGER	SEEGER	SEEGER	
07	B. TNPE00050	01	LEVER	LEVIER	HEBEL	PALANCA	LEVA	
08	B. CMMP00001	01	GRIP	POIGNEE	HANDGRIFF	EMPUNADURA	IMPUGNATURA	
09	B. CMMP00156	01	WING NUT	ELROU A AILETT.	FLUGELMUTTER	CHAVETA	GALLETTO	
10	B. VTAN00031	02	SEEGER	SEEGER	SEEGER	SEEGER	SEEGER	
11	B. CRDS00832	01	SUPPORT	SUPPORT	HALTER	SOPORTE	SUPPORTO	
12	B. PLDS00341	02	SPACER	ENTRETOISE	DISTANZSTUCK	DISTANCIADOR	DISTANZIALE	
13	01AC425	01	HOSE	TUYAU	ROHR	TUBO	TUBO	R2 15m (altre/others MAXIMA PLUS)
13	01AC381	01	HOSE	TUYAU	ROHR	TUBO	TUBO	R1 15m (XT FOOD/PLUS 130.10-160.15)
13	01AC398	01	HOSE	TUYAU	ROHR	TUBO	TUBO	R2 10m (altre/others MAXIMA)
13	01AC401	01	HOSE	TUYAU	ROHR	TUBO	TUBO	R1 10m (MAXIMA 130.10 - 160.15)



REF	CODE	QTY	DESCRIPTION	DENOMINATION	BESCHREIBUNG	DESCRIPCION	DESCRIZIONE	TECNICAL FEATURES
01	B. MESC00020	01	ELEC. CIRCUIT	CIRQUIT. ELECT.	ELEKTR. STROM.	CIRCUITO ELECT.	SCHEDA	MAXIMA (basic) 160.15
01	B. MESC00019	01	ELEC. CIRCUIT	CIRQUIT. ELECT.	ELEKTR. STROM.	CIRCUITO ELECT.	SCHEDA	MAXIMA (basic) 130.10
02	B. MESC00017	01	ELEC. CIRCUIT	CIRQUIT. ELECT.	ELEKTR. STROM.	CIRCUITO ELECT.	SCHEDA	altri modelli - other model
03	B. METR00027	01	TRANSFORMER	TRANSFORMATEUR	TRANSFORMER	TRANSFORMADOR	TRASFORMATORE	
04	E10419	01	CONTACTOR	CONTACTEUR	FERNSCHALTER	CONTACTOR	TELERUTTORE	MAXIMA PLUS 130.10
04	E10442	01	CONTACTOR	CONTACTEUR	FERNSCHALTER	CONTACTOR	TELERUTTORE	180.18 - 200.15 / PLUS 160.15
04	E10443	01	CONTACTOR	CONTACTEUR	FERNSCHALTER	CONTACTOR	TELERUTTORE	200.20
04	E10444	01	CONTACTOR	CONTACTEUR	FERNSCHALTER	CONTACTOR	TELERUTTORE	200.21-200.30-300.21-300.15
05	E20507-1	01	FUSE-HOLDER	PORTE-FUSIBLES	SICHERUNGHALTER	PORTASFUSIBLES	PORTAFUSIBILE	
06	B. MEVR00294	02	CABLE CLAMP	COLLIER	KABELSCHELLE	ABRAZADERA CABL	PRESSACAVO	
07	E20932	03	RING NUT	FRETTE	NUTMUTTER	CASQUILLO	GHIERA	
08	B. PLDS00292	01	BOX	BOÎTE	KASTEN	CAJA	SCATOLA	
09	B. MEVR00293	01	CABLE CLAMP	COLLIER	KABELSCHELLE	ABRAZADERA CABL	PRESSACAVO	
10	B. CRDS00797	01	SUPPORT	SUPPORT	HALTER	SOPORTE	SUPPORTO	
11	B. MEVR00295	01	CABLE CLAMP	COLLIER	KABELSCHELLE	ABRAZADERA CABL	PRESSACAVO	
12	E20943	02	CABLE CLAMP	COLLIER	KABELSCHELLE	ABRAZADERA CABL	PRESSACAVO	
13	B. MEVR00327	01	CAP	BOUCHON	VERSCHLUSS	TAPPO	TAPPO	
14	E10326	01	FUSE	FUSIBLE	ABSCHMEL.HERUNG	FUSIBLE	FUSIBILE	
15	B. MEVR00326	01	FUSE-HOLDER	PORTE-FUSIBLES	SICHERUNGHALTER	PORTASFUSIBLES	PORTAFUSIBILE	KIT
16	B. PMVR00184	01	LED DIODE	DIODE LED	DIODE LED	LED DIODO	DIODO LED	
17	B. PLDS00329	01	COVER	COUVERCLE	DECKEL	TAPA	COPERCHIO	
18	B. MOLL00046	01	SPRING	RESSORT	FEDER	MUELLE	MOLLA	
19	B. PLDS00328	01	LEVER	LEVIER	HEBEL	PALANCA	LEVA	
20	B. MEIP00057	01	SWITCH	INTERRUPTEUR	SCHALTER	INTERRUPTOR	INTERRUTTORE	
21	B. CUSC00032	01	BEARING	ROULEMENT	LAGER	COJINETE	CUSCINETTO	
22	B. PLDS00327	01	SUPPORT	SUPPORT	HALTER	SOPORTE	SUPPORTO	
23	B. CMMP00149	01	INSERT	INSERT	EINSATZ	INSERTO	INSERTO	
24	B. GUAR00112	01	GASKET	GARNITURE	DICHTUNG	GUARNICION	GUARNIZIONE	
25	B. PLDS00293	01	COVER	COUVERCLE	DECKEL	TAPA	COPERCHIO	
26	B. CMMP00110	01	KNOB	POIGNEE	VERSTELLGRIFF	MANOPOLA	MANOPOLA	

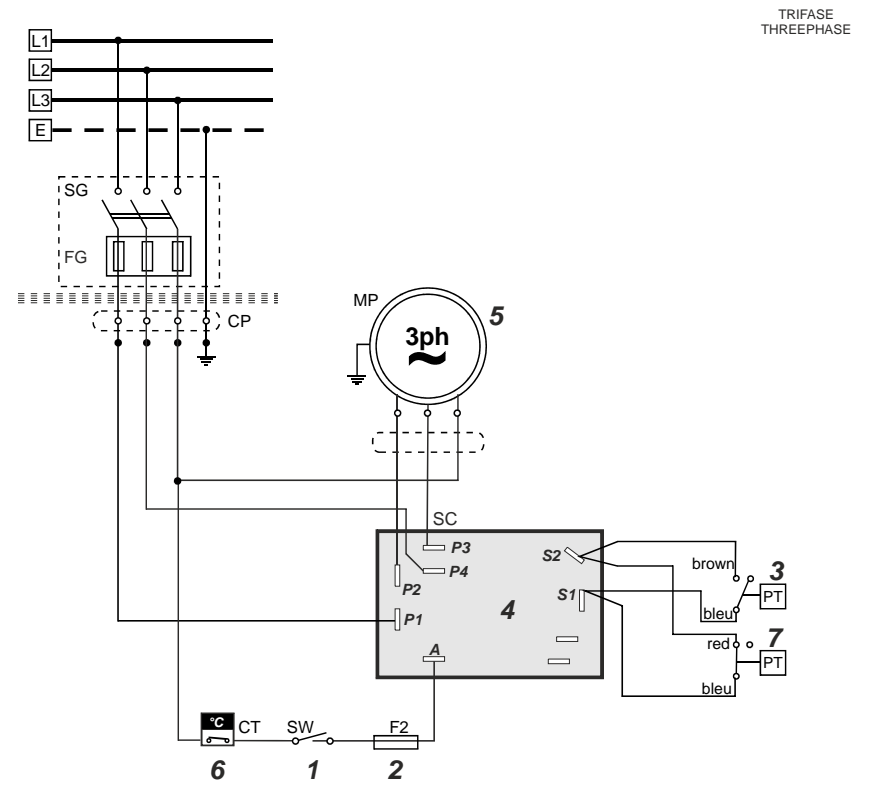
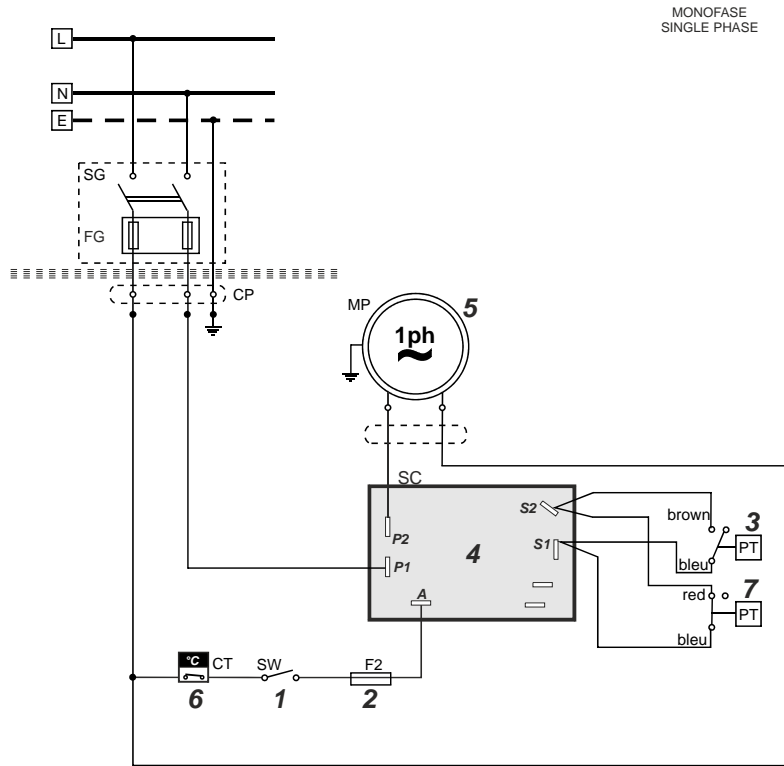


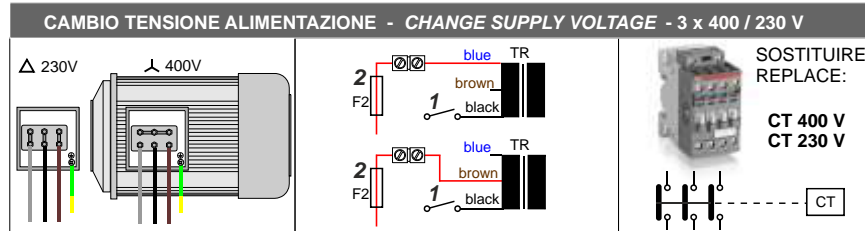
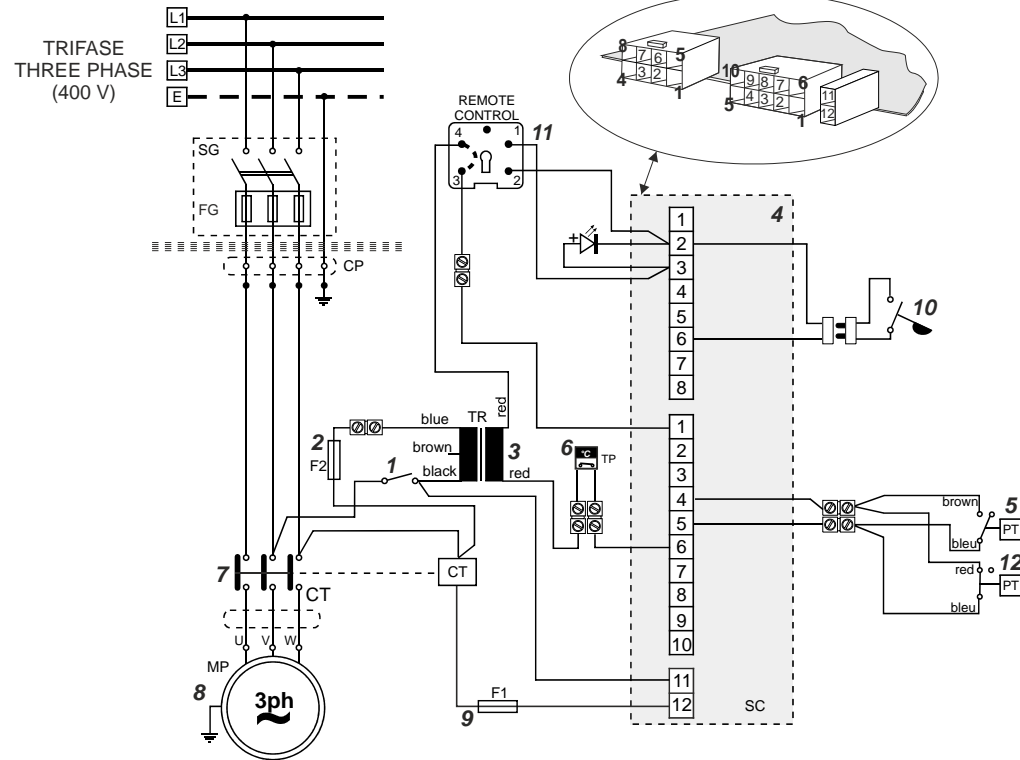
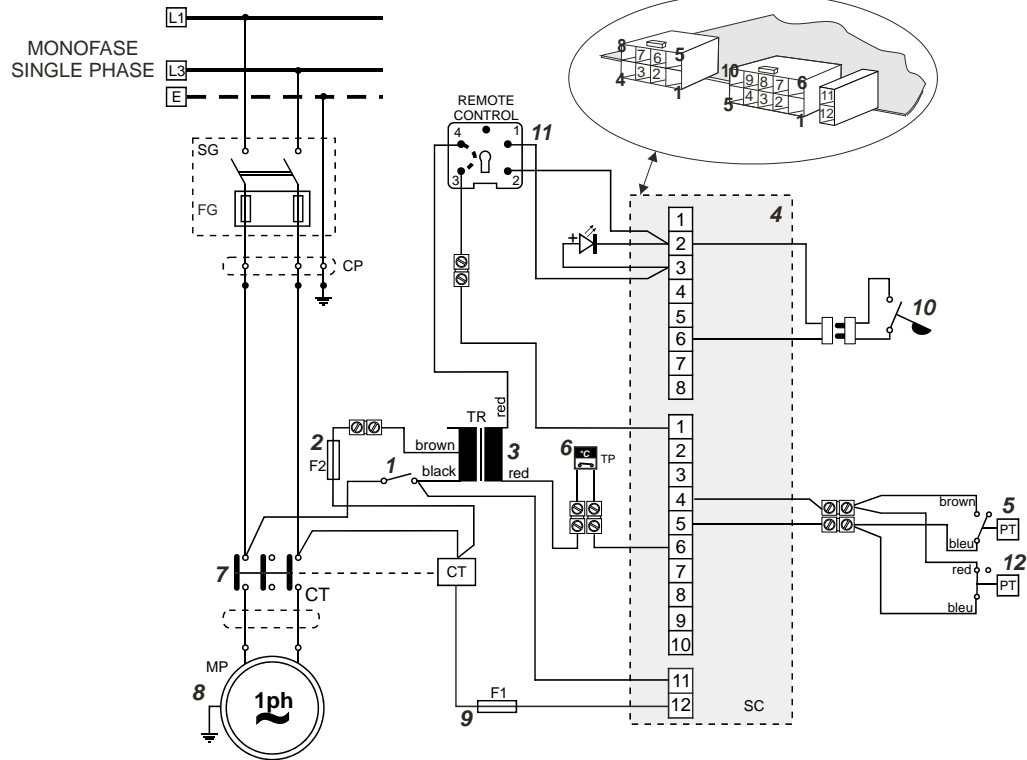
TABLE N° EXPL00120

SPARE PARTS LIST

EL.D. MAXIMA MAX MOD MIDIA TDS

13/01/2017

REF	CODE	QTY	DESCRIPTION	DENOMINATION	BESCHREIBUNG	DESCRIPCION	DESCRIZIONE	TECNICAL FEATURES		
01	B. MEIP00057	01	SWITCH	INTERRUPTEUR	SCHALTER	INTERRUPTOR	INTERRUPTORE			
02	E10326	01	FUSE	FUSIBLE	ABSCHMEL.HERUNG	FUSIBLE	FUSIBILE			
03	B. MEIP00059	01	SWITCH	INTERRUPTEUR	SCHALTER	INTERRUPTOR	INTERRUPTORE			
04	B. MESC00004	01	ELEC. CIRCUIT	CIRQUIT. ELECT.	ELEKTR. STROM.	CIRCUITO ELECT.	SCHEDA	monofase - single phase 110V / 50		
04	B. MESC00019	01	ELEC. CIRCUIT	CIRQUIT. ELECT.	ELEKTR. STROM.	CIRCUITO ELECT.	SCHEDA	monofase - single phase 230V		
04	B. MESC00020	01	ELEC. CIRCUIT	CIRQUIT. ELECT.	ELEKTR. STROM.	CIRCUITO ELECT.	SCHEDA	trifase - three phase 400V		
05		01	MOTOR	MOTEUR	MOTOR	MOTOR	MOTORE	vedi esploso macchina/see exploded		
06		01	TERMIC PROTECT.	PROTECT. TERMIC	TERMIC SCHUTZ	PROTEC. TÉRMICA	TERMICA			
07	B. MEIP00059	01	SWITCH	INTERRUPTEUR	SCHALTER	INTERRUPTOR	INTERRUPTORE	MAXIMA - MODULA		



REF	CODE	QTY	DESCRIPTION	DENOMINATION	BESCHREIBUNG	DESCRIPCION	DESCRIZIONE	TECNICAL FEATURES		
01	B. MEIP00057	01	SWITCH	INTERRUPTEUR	SCHALTER	INTERRUPTOR	INTERRUTTORE	0,5 A (nel motore / inside motor) MODULA PLUS 130.10 MAXIMA 200.30 - 300.21 - 350.15 MODULA 160.15 HD/PLUS MODULA HD/PLUS: 180.18-200.15/20 MAXIMA 180.18-200.15/20/21 MAXIMA PLUS 160.15 MAXIMA PLUS 160.15 MODULA 160.15 HD/PLUS vedi esploso macchina/see exploded 0,63 A		
02	E10326	01	FUSE	FUSIBLE	ABSCHMEL.HERUNG	FUSIBLE	FUSIBILE			
03	B. METR00027	01	TRANSFORMER	TRANSFORMATEUR	TRANSFORMER	TRANSFORMADOR	TRASFORMATORE			
04	B. MESC00017	01	ELEC. CIRCUIT	CIRQUIT. ELECT.	ELEKTR. STROM.	CIRCUITO ELECT.	SCHEDA			
05	B. MEIP00059	01	SWITCH	INTERRUPTEUR	SCHALTER	INTERRUPTOR	INTERRUTTORE			
06		01	TERMIC PROTECT.	PROTECT. TERMIC	TERMIC SCHUTZ	PROTEC. TÉRMICA	TERMICA			
07	B METR00049	01	CONTACTOR	CONTACTEUR	FERNSCHALTER	CONTACTOR	TELERUTTORE			
07	B. METR00036	01	CONTACTOR	CONTACTEUR	FERNSCHALTER	CONTACTOR	TELERUTTORE			
07	B. METR00033	01	CONTACTOR	CONTACTEUR	FERNSCHALTER	CONTACTOR	TELERUTTORE			
07	B METR00035	01	CONTACTOR	CONTACTEUR	FERNSCHALTER	CONTACTOR	TELERUTTORE			
07	B METR00035	01	CONTACTOR	CONTACTEUR	FERNSCHALTER	CONTACTOR	TELERUTTORE			
07	B METR00033	01	CONTACTOR	CONTACTEUR	FERNSCHALTER	CONTACTOR	TELERUTTORE			
07	B METR00033	01	CONTACTOR	CONTACTEUR	FERNSCHALTER	CONTACTOR	TELERUTTORE			
07	B. METR00033	01	CONTACTOR	CONTACTEUR	FERNSCHALTER	CONTACTOR	TELERUTTORE			
08		01	MOTOR	MOTEUR	MOTOR	MOTOR	MOTORE			
09	E10327	01	FUSE	FUSIBLE	ABSCHMEL.HERUNG	FUSIBLE	FUSIBILE			
10	B. MEIP00049	01	SWITCH	INTERRUPTEUR	SCHALTER	INTERRUPTOR	INTERRUTTORE			
11	01AC441	01	REMOTE CONTROL	REMOTE CONTROL	REMOTE CONTROL	REMOTE CONTROL	REMOTE CONTROL			
12	B. MEIP00059	01	SWITCH	INTERRUPTEUR	SCHALTER	INTERRUPTOR	INTERRUTTORE	MOD. MODULA PLUS		



BIEMMEDUE S.p.A. - Via Industria, 12 - 12062 - CHERASCO (CN) - Italy
Tel. +39 0172 486111 - Fax +39 0172 488270
www.biemmedue.com - e-mail: bm2@biemmedue.com