

MODULA

Idropulitrice ad acqua fredda - Nettoyeur eau froid
Hochdruckreiniger - Cold water cleaner - Hidrolimpiadora por agua fria



MODULA
MODULA HD

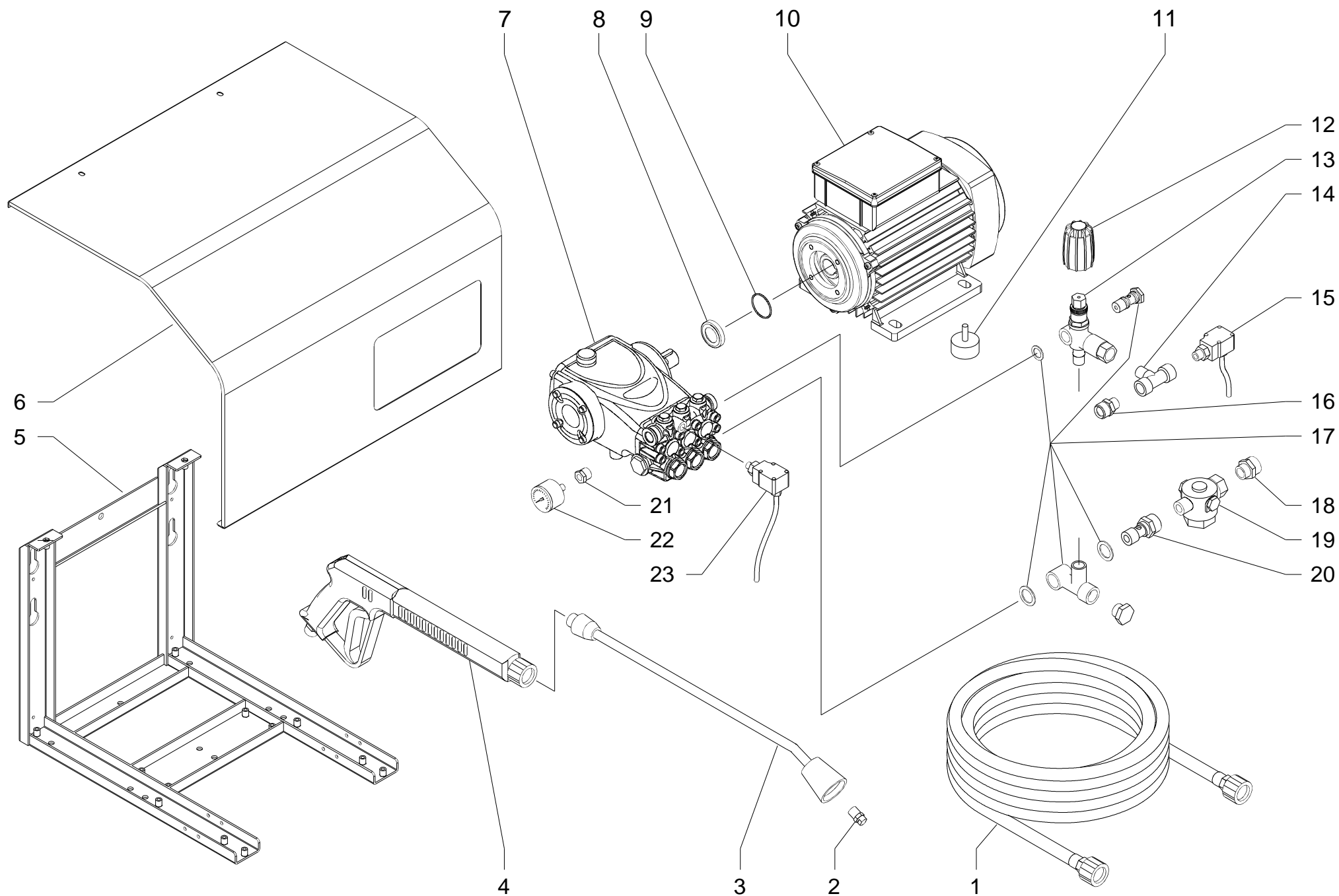


MODULA PLUS
MODULA XT FOOD

L-LC078.01-BM



**CATALOGO RICAMBI
SPARE PARTS CATALOGUE
CATALOGUE DES PIECES DE RECHANGE
ERSATZTEILKATALOG
CATALOGO PIEZAS DE REPUESTO**



REF	CODE	QTY	DESCRIPTION	DENOMINATION	BESCHREIBUNG	DESCRIPCION	DESCRIZIONE	TECNICAL FEATURES		
01	01AC398	01	HOSE	TUYAU	ROHR	TUBO	TUBO	MODULA 200.15		
01	01AC401	01	HOSE	TUYAU	ROHR	TUBO	TUBO	MODULA 130.10 - 150.15		
02	I50276	01	NOZZLE	BUSE	DUSE	BOQUILLA	UGELLO	MODULA 130.10		
02	I50216	01	NOZZLE	BUSE	DUSE	BOQUILLA	UGELLO	MODULA 150.15		
02	I50284	01	NOZZLE	BUSE	DUSE	BOQUILLA	UGELLO	MODULA 200.15		
03	01AC319	01	LANCE	LANCE	LANZEN	LANZA	LANCIA			
04	01AC418	01	GRIP	POIGNEE	HANDGRIFF	EMPUNADURA	IMPUGNATURA			
05	B. CRZN00675	01	FRAME	CHASSIS	GERUST	CHASIS	TELAIO			
06	B. CRDS00808	01	HOOD	CAPOT	HAUBE	COFRE	COFANO			
07	B. POMP00028	01	PUMP	POMPE	PUMPE	BOMBA	POMPA	MODULA 150.15 - 200.15		
07	B. POMP00033	01	PUMP	POMPE	PUMPE	BOMBA	POMPA	MODULA 130.10		
08	B. CRDS00774	01	BUSHING	DOUILLE	BUCHSE	MANGUITO	BOCCOLA			
09	B. GUAR00130	01	O-RING	O-RING	O-RING	O-RING	O-RING			
10	B. MOAC00040	01	MOTOR	MOTEUR	MOTOR	MOTOR	MOTORE	MODULA 130.10		
10	B. MOAC00043	01	MOTOR	MOTEUR	MOTOR	MOTOR	MOTORE	MODULA 150.15		
10	B. MOAC00044	01	MOTOR	MOTEUR	MOTOR	MOTOR	MOTORE	MODULA 200.15		
11	B. CMSP00111	04	VIBRATION DAMP.	AMORTISATEUR	SCHVINGUNSDAMP.	ANTIVIBRANTE	ANTIVIBRANTE			
12	B. CMMP00165	01	KNOB	POIGNEE	VERSTELLGRIFF	MANOPOLA	MANOPOLA			
13	B. VLRG00016	01	VALVE	SOUPAPE	VENTIL	VALVULA	VALVOLA			
14	B. RCVR00001	01	CONNECTOR	RACCORD	VERBIND. STUCK	RACORD	RACCORDO			
15	B. MEIP00052	01	PRESSURE SWITCH	PRESSOSTAT	DRUCKSCHALTER	INTERR. PRESIÓN	PRESSOSTATO			
16	I20920	01	CONNECTOR	RACCORD	VERBIND. STUCK	RACORD	RACCORDO			
17	B. VLRG00017	01	COLLECTOR	COLLECTOR	COLLECTOR	COLECTOR	COLLETTORE			
18	B. RCVR00173	01	CONNECTOR	RACCORD	VERBIND. STUCK	RACORD	RACCORDO			
19	B. FILT00027	01	FILTER	FILTRE	FILTER	FILTRO	FILTRO			
20	B. RCVR00202	01	SCREW	VIS CREUSE	HOHSCHRAUBE	TORNILLO HUECO	VITE CAVA			
21	B. I20216	01	REDUCTION	RÉDUCTION	VERKLEINERUNG	REDUCCIÓN	RIDUZIONE			
22	S10311	01	PRESSURE GAUGE	MANOMETRE	DRUCKMESSER	MANOMETRO	MANOMETRO	MODULA 130.10 - 150.15		
22	S10322	01	PRESSURE GAUGE	MANOMETRE	DRUCKMESSER	MANOMETRO	MANOMETRO	MODULA 200.15		
23	B. MEIP00058	01	PRESSURE SWITCH	PRESSOSTAT	DRUCKSCHALTER	INTERR. PRESIÓN	PRESSOSTATO			

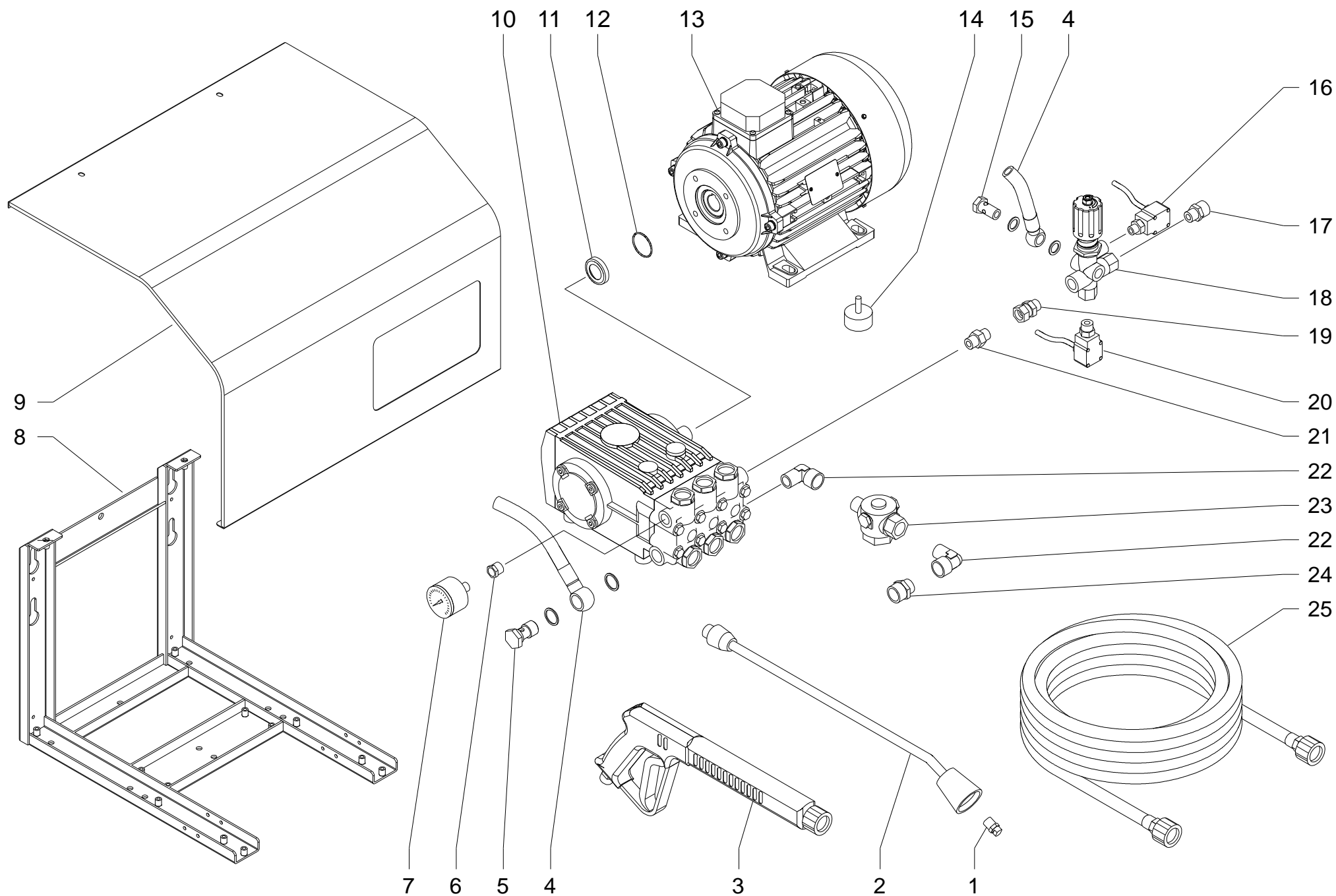


TABLE N° EXPL00122B

SPARE PARTS LIST

ASS MODULA HD

07/04/2017

REF	CODE	QTY	DESCRIPTION	DENOMINATION	BESCHREIBUNG	DESCRIPCION	DESCRIZIONE	TECNICAL FEATURES
01	I50284	01	NOZZLE	BUSE	DUSE	BOQUILLA	UGELLO	MODULA HD 200.15
01	I50307	01	NOZZLE	BUSE	DUSE	BOQUILLA	UGELLO	MODULA HD 180.18 - 200.20
01	I50216	01	NOZZLE	BUSE	DUSE	BOQUILLA	UGELLO	MODULA HD 160.15
02	01AC319	01	LANCE	LANCE	LANZEN	LANZA	LANCIA	
03	01AC422	01	GRIP	POIGNEE	HANDGRIFF	EMPUNADURA	IMPUGNATURA	
04	B. TURR00053	01	HOSE	TUYAU	ROHR	TUBO	TUBO	
05	B. RCVR00023	01	SCREW	VIS CREUSE	HOHSCHRAUBE	TORNILLO HUECO	VITE CAVA	
06	I20203	01	REDUCTION	RÉDUCTION	VERKLEINERUNG	REDUCCIÓN	RIDUZIONE	
07	S10324	01	PRESSURE GAUGE	MANOMETRE	DRUCKMESSER	MANOMETRO	MANOMETRO	MODULA HD 160.15
07	S10323	01	PRESSURE GAUGE	MANOMETRE	DRUCKMESSER	MANOMETRO	MANOMETRO	MODULA HD 180.18 - 200.15 - 200.20
08	B. CRZN00675	01	FRAME	CHASSIS	GERUST	CHASIS	TELAIO	
09	B. CRDS00808	01	HOOD	CAPOT	HAUBE	COFRE	COFANO	
10	I10262	01	PUMP	POMPE	PUMPE	BOMBA	POMPA	MODULA HD 180.18
10	I10208	01	PUMP	POMPE	PUMPE	BOMBA	POMPA	MODULA HD 160.15 - 200.15
10	I10235	01	PUMP	POMPE	PUMPE	BOMBA	POMPA	MODULA HD 200.20
11	B. CRDS00774	01	BUSHING	DOUILLE	BUCHSE	MANGUITO	BOCCOLA	
12	B. GUAR00130	01	O-RING	O-RING	O-RING	O-RING	O-RING	
13	E10603-10	01	MOTOR	MOTEUR	MOTOR	MOTOR	MOTORE	MODULA HD 180.18 - 200.15
13	B. MOAC00038	01	MOTOR	MOTEUR	MOTOR	MOTOR	MOTORE	MODULA HD 200.20
13	B. MOAC00048	01	MOTOR	MOTEUR	MOTOR	MOTOR	MOTORE	MODULA HD 160.15
14	B. CMSP00111	04	VIBRATION DAMP.	AMORTISATEUR	SCHVINGUNSDAMP.	ANTIVIBRANTE	ANTIVIBRANTE	
15	B. RCVR00018	01	SCREW	VIS CREUSE	HOHSCHRAUBE	TORNILLO HUECO	VITE CAVA	
16	E50438	01	PRESSURE SWITCH	PRESSOSTAT	DRUCKSCHALTER	INTERR. PRESIÓN	PRESSOSTATO	
17	I20920	01	CONNECTOR	RACCORD	VERBIND. STUCK	RACORD	RACCORDO	
18	B. VLRG00038	01	VALVE	SOUPAPE	VENTIL	VALVULA	VALVOLA	
19	I20602	01	CONNECTOR	RACCORD	VERBIND. STUCK	RACORD	RACCORDO	
20	B. MEIP00052	01	PRESSURE SWITCH	PRESSOSTAT	DRUCKSCHALTER	INTERR. PRESIÓN	PRESSOSTATO	
21	I20102	01	NIPPLE	NIPPLE	NIPPEL	NIPLO	NIPPLO	
22	I20305	02	CONNECTOR	RACCORD	VERBIND. STUCK	RACORD	RACCORDO	
23	B. FILT00027	01	FILTER	FILTRE	FILTER	FILTRO	FILTRO	
24	B. RCVR00173	01	CONNECTOR	RACCORD	VERBIND. STUCK	RACORD	RACCORDO	
25	01AC381	01	HOSE	TUYAU	ROHR	TUBO	TUBO	MODULA HD 160.15 - 180.18
25	01AC425	01	HOSE	TUYAU	ROHR	TUBO	TUBO	MODULA HD 200.15 - 200.20

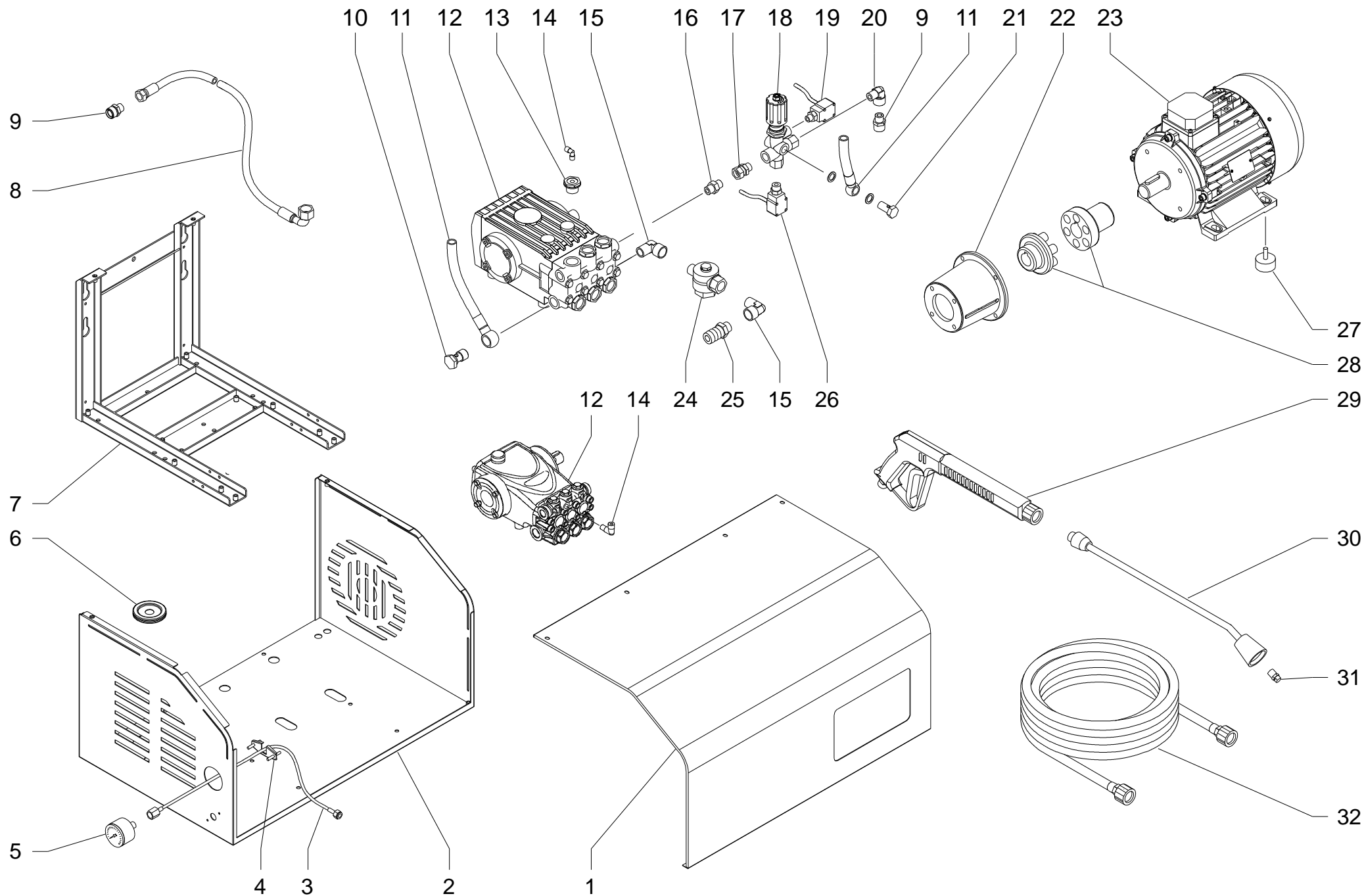


TABLE N° EXPL00179

SPARE PARTS LIST

ASS MODULA PLUS 130.10 -160.15

07/04/2017

REF	CODE	QTY	DESCRIPTION	DENOMINATION	BESCHREIBUNG	DESCRIPCION	DESCRIZIONE	TECNICAL FEATURES		
01	B. CRDS00810	01	HOOD	CAPOT	HAUBE	COFRE	COFANO			
02	B. CRDS00809	01	HOOD	CAPOT	HAUBE	COFRE	COFANO			
03	B. TUAP00005	01	HOSE	TUYAU	ROHR	TUBO	TUBO			
04	B. CMSP00102	01	BRACKET	ENTRIER	BUGEL	GRAPA	STAFFA			
05	S10324	01	PRESSURE GAUGE	MANOMETRE	DRUCKMESSER	MANOMETRO	MANOMETRO			
06	B. GUAR00134	01	FAI-LEAD	PASSAGE P.CABLE	KABELDURCHGANG	PASACABLE	PASSACAVO			
07	B. CRDS00811	01	FRAME	CHASSIS	GERUST	CHASIS	TELAIO			
08	B. TURR00038	01	HOSE	TUYAU	ROHR	TUBO	TUBO			
09	I20920	01	CONNECTOR	RACCORD	VERBIND. STUCK	RACORD	RACCORDO			
10	B. RCVR00023	01	SCREW	VIS CREUSE	HOHSCHRAUBE	TORNILLO HUECO	VITE CAVA			
11	B. TURR00053	01	HOSE	TUYAU	ROHR	TUBO	TUBO			
12	I10208	01	PUMP	POMPE	PUMPE	BOMBA	POMPA	MODULA PLUS 160.15		
12	B. POMP00033	01	PUMP	POMPE	PUMPE	BOMBA	POMPA	MODULA PLUS 130.10		
13	B. RCVR00188	01	CAP	BOUCHON	VERSCHLUSS	TAPPO	TAPPO			
14	B. RCVR00189	01	CONNECTOR	RACCORD	VERBIND. STUCK	RACORD	RACCORDO			
15	I20305	01	CONNECTOR	RACCORD	VERBIND. STUCK	RACORD	RACCORDO			
16	I20102	01	NIPPLE	NIPPLE	NIPPEL	NIPLO	NIPPLO			
17	I20602	01	CONNECTOR	RACCORD	VERBIND. STUCK	RACORD	RACCORDO			
18	B. VLRG00038	01	VALVE	SOUPAPE	VENTIL	VALVULA	VALVOLA			
19	E50438	01	PRESSURE SWITCH	PRESSOSTAT	DRUCKSCHALTER	INTERR. PRESIÓN	PRESSOSTATO			
20	I30711	01	CONNECTOR	RACCORD	VERBIND. STUCK	RACORD	RACCORDO			
21	B. RCVR00018	01	SCREW	VIS CREUSE	HOHSCHRAUBE	TORNILLO HUECO	VITE CAVA			
22	I10501	01	FLANGE	BRIDE	FLANSCH	BRIDA	FLANGIA	MODULA PLUS 160.15		
22	B. CMSP00109	01	FLANGE	BRIDE	FLANSCH	BRIDA	FLANGIA	MODULA PLUS 130.10		
23	B. MOAC00053	01	MOTOR	MOTEUR	MOTOR	MOTOR	MOTORE	MODULA PLUS 130.10		
23	B. MOAC00055	01	MOTOR	MOTEUR	MOTOR	MOTOR	MOTORE	MODULA PLUS 160.15		
24	B. FILT00032	01	FILTER	FILTRE	FILTER	FILTRO	FILTRO			
25	B. RCVR00220	01	CONNECTOR	RACCORD	VERBIND. STUCK	RACORD	RACCORDO			
26	B. MEIP00052	01	PRESSURE SWITCH	PRESSOSTAT	DRUCKSCHALTER	INTERR. PRESIÓN	PRESSOSTATO			
27	B. CMSP00111	04	VIBRATION DAMP.	AMORTISATEUR	SCHWINGUNSDAMP.	ANTIVIBRANTE	ANTIVIBRANTE			
28	I10509	01	FLEX. COUPLING	ACCOUPEMENT FL	FLEX. KOPPELUNG	ACOPLADOR FLEX.	GIUNTO	MODULA PLUS 160.15		
28	B. CMSP00110	01	FLEX. COUPLING	ACCOUPEMENT FL	FLEX. KOPPELUNG	ACOPLADOR FLEX.	GIUNTO	MODULA PLUS 130.10		
28	I10509	01	FLEX. COUPLING	ACCOUPEMENT FL	FLEX. KOPPELUNG	ACOPLADOR FLEX.	GIUNTO	MODULA PLUS 160.15		
29	01AC422	01	GRIP	POIGNEE	HANDGRIFF	EMPUNADURA	IMPUGNATURA			
30	01AC419	01	LANCE	LANCE	LANZEN	LANZA	LANCIA			
31	I50216	01	NOZZLE	BUSE	DUSE	BOQUILLA	UGELLO	MODULA PLUS 160.15		
31	I50276	01	NOZZLE	BUSE	DUSE	BOQUILLA	UGELLO	MODULA PLUS 130.10		
32	01AC381	01	HOSE	TUYAU	ROHR	TUBO	TUBO			

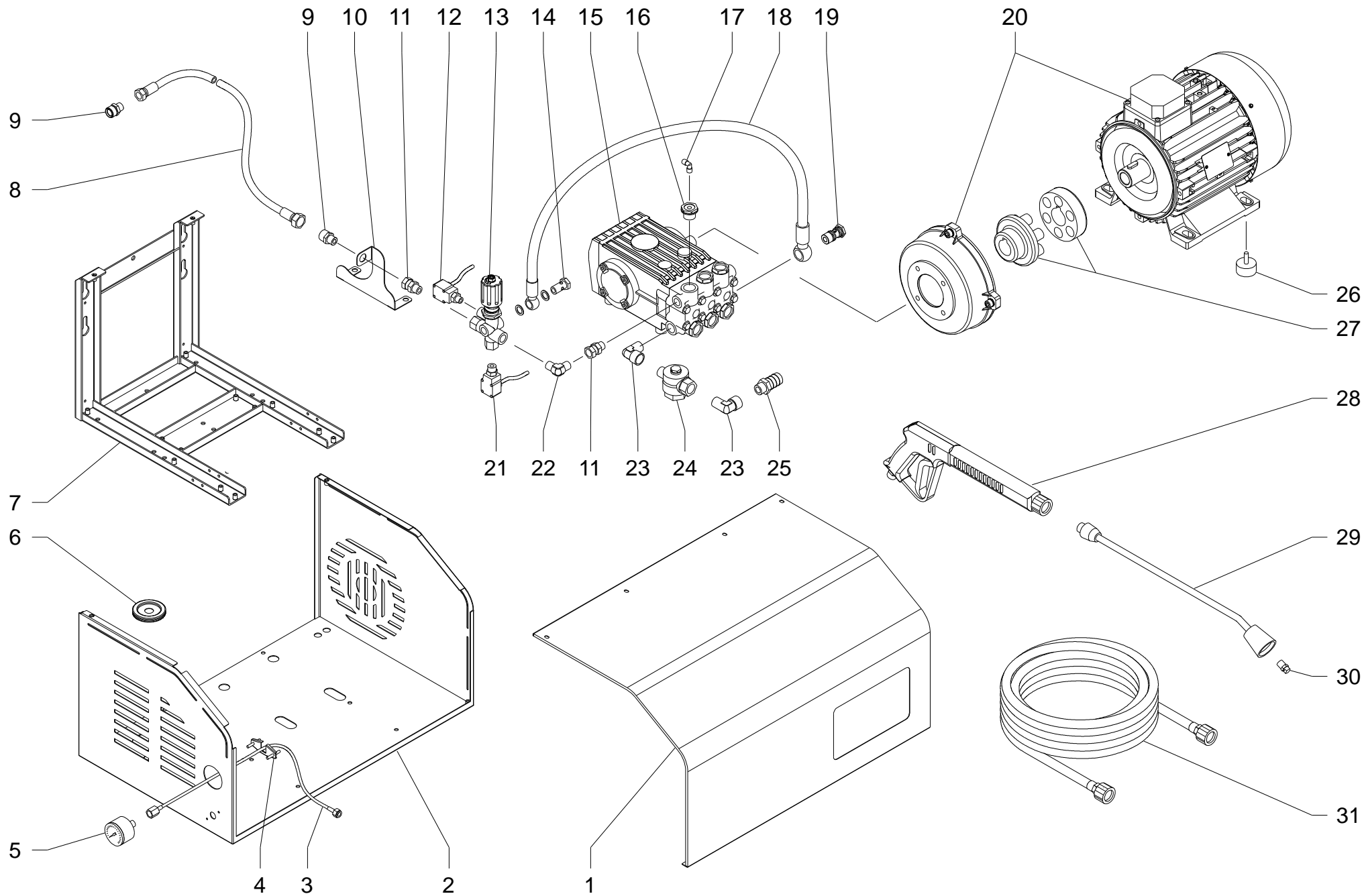


TABLE N° EXPL00123B

SPARE PARTS LIST

ASS MODULA PLUS 180.18-200.15

07/04/2017

REF	CODE	QTY	DESCRIPTION	DENOMINATION	BESCHREIBUNG	DESCRIPCION	DESCRIZIONE	TECNICAL FEATURES		
01	B. CRDS00810	01	HOOD	CAPOT	HAUBE	COFRE	COFANO			
02	B. CRDS00809	01	HOOD	CAPOT	HAUBE	COFRE	COFANO			
03	B. TUAP00005	01	HOSE	TUYAU	ROHR	TUBO	TUBO			
04	B. CMSP00102	01	BRACKET	ENTRIER	BUGEL	GRAPA	STAFFA			
05	S10323	01	PRESSURE GAUGE	MANOMETRE	DRUCKMESSER	MANOMETRO	MANOMETRO			
06	B. GUAR00134	01	FAI-LEAD	PASSAGE P.CABLE	KABELDURCHGANG	PASACABLE	PASSACAVO			
07	B. CRDS00811	01	FRAME	CHASSIS	GERUST	CHASIS	TELAIO			
08	B. TURR00036	01	HOSE	TUYAU	ROHR	TUBO	TUBO			
09	I20920	01	CONNECTOR	RACCORD	VERBIND. STUCK	RACORD	RACCORDO			
10	B. CRDS00885	01	BRACKET	ENTRIER	BUGEL	GRAPA	STAFFA			
11	I20602	01	CONNECTOR	RACCORD	VERBIND. STUCK	RACORD	RACCORDO			
12	E50438	01	PRESSURE SWITCH	PRESSOSTAT	DRUCKSCHALTER	INTERR. PRESIÓN	PRESSOSTATO			
13	B. VLRG00038	01	VALVE	SOUPAPE	VENTIL	VALVULA	VALVOLA			
14	B. RCVR00018	01	SCREW	VIS CREUSE	HOHSCHRAUBE	TORNILLO HUECO	VITE CAVA			
15	I10208	01	PUMP	POMPE	PUMPE	BOMBA	POMPA			MODULA PLUS 200.15
15	I10262	01	PUMP	POMPE	PUMPE	BOMBA	POMPA			MODULA PLUS 180.18
16	B. RCVR00188	01	CAP	BOUCHON	VERSCHLUSS	TAPPO	TAPPO			
17	B. RCVR00189	01	CONNECTOR	RACCORD	VERBIND. STUCK	RACORD	RACCORDO			
18	B. TURR00053	01	HOSE	TUYAU	ROHR	TUBO	TUBO			
19	B. RCVR00023	01	SCREW	VIS CREUSE	HOHSCHRAUBE	TORNILLO HUECO	VITE CAVA			
20	B. MOAC00063	01	MOTOR	MOTEUR	MOTOR	MOTOR	MOTORE			MODULA PLUS 200.15
21	B. MEIP00052	01	PRESSURE SWITCH	PRESSOSTAT	DRUCKSCHALTER	INTERR. PRESIÓN	PRESSOSTATO			
22	I30710	01	CONNECTOR	RACCORD	VERBIND. STUCK	RACORD	RACCORDO			
23	I20305	01	CONNECTOR	RACCORD	VERBIND. STUCK	RACORD	RACCORDO			
24	B. FILT00032	01	FILTER	FILTRE	FILTER	FILTRO	FILTRO			
25	B. RCVR00220	01	CONNECTOR	RACCORD	VERBIND. STUCK	RACORD	RACCORDO			
26	B. CMSP00111	04	VIBRATION DAMP.	AMORTISATEUR	SCHVINGUNSDAMP.	ANTIVIBRANTE	ANTIVIBRANTE			
27	I10509	01	FLEX. COUPLING	ACCOUPEMENT FL	FLEX. KOPPELUNG	ACOPLADOR FLEX.	GIUNTO			
28	01AC422	01	GRIP	POIGNEE	HANDGRIFF	EMPUNADURA	IMPUGNATURA			
29	01AC419	01	LANCE	LANCE	LANZEN	LANZA	LANCIA			
30	I50284	01	NOZZLE	BUSE	DUSE	BOQUILLA	UGELLO			MODULA PLUS 200.15
30	I50307	01	NOZZLE	BUSE	DUSE	BOQUILLA	UGELLO			MODULA PLUS 180.18
31	01AC425	01	HOSE	TUYAU	ROHR	TUBO	TUBO			

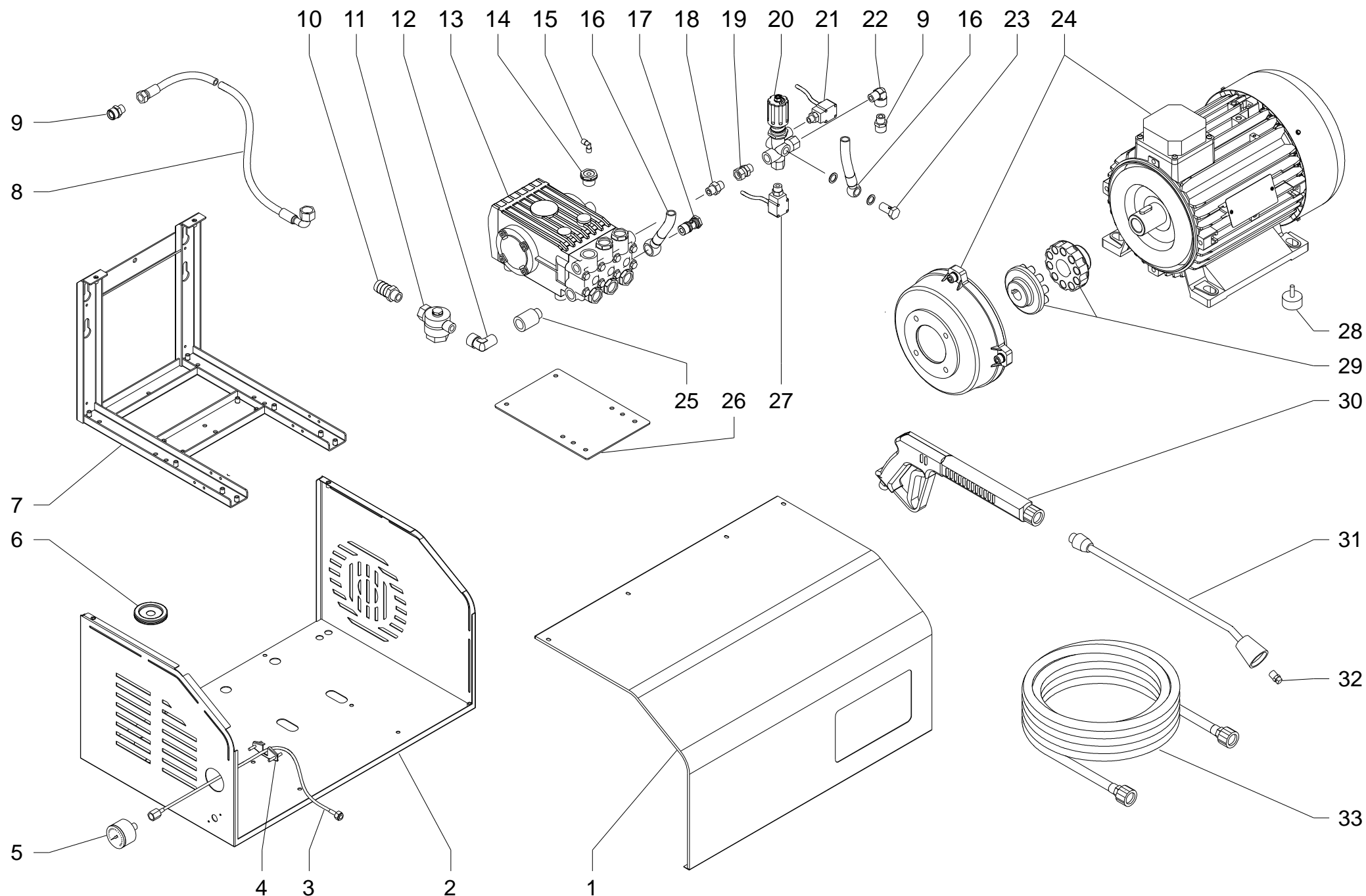


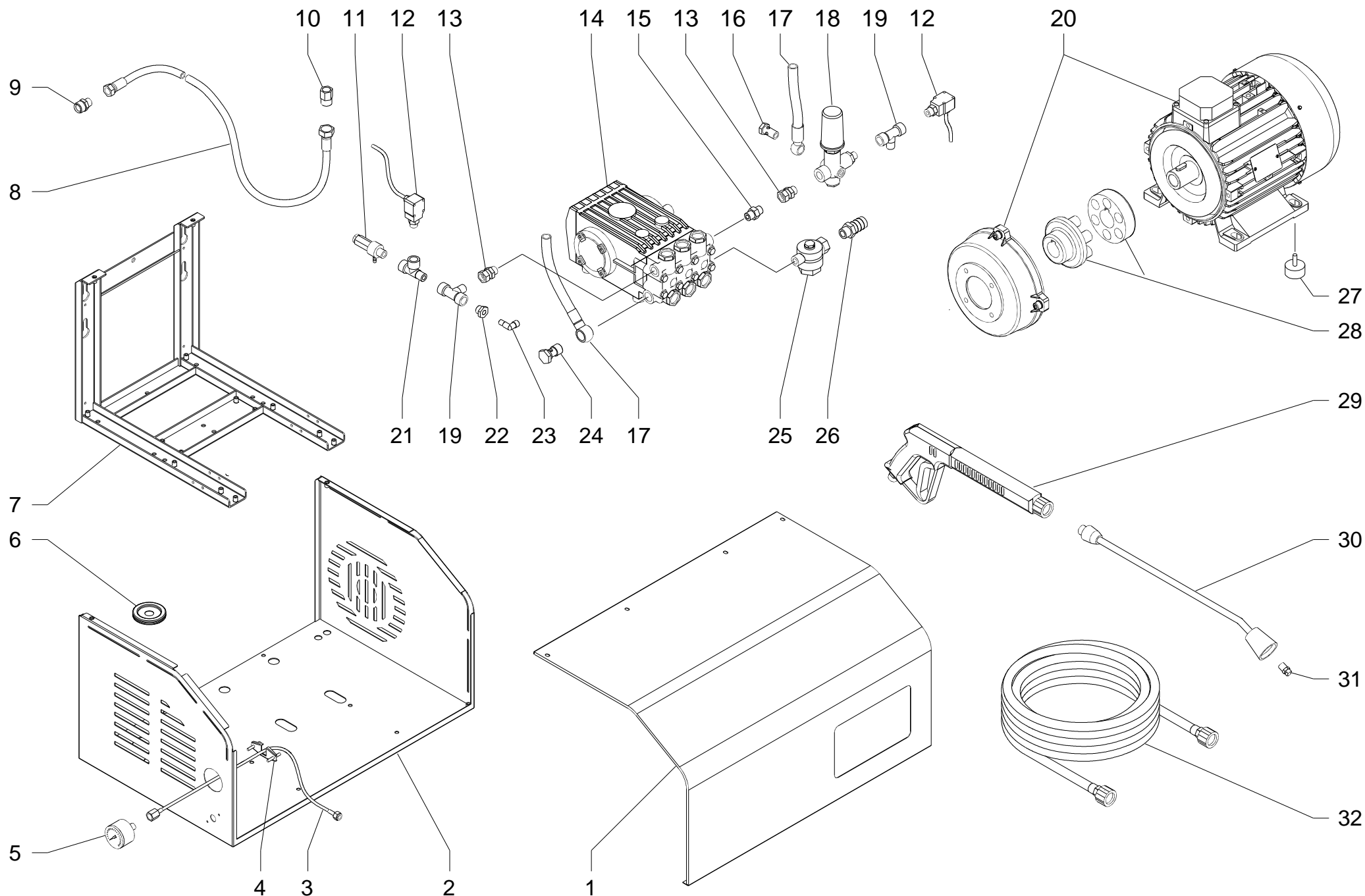
TABLE N° EXPL00178

SPARE PARTS LIST

ASS MODULA PLUS 200.21

07/04/2017

REF	CODE	QTY	DESCRIPTION	DENOMINATION	BESCHREIBUNG	DESCRIPCION	DESCRIZIONE	TECNICAL FEATURES		
01	B. CRDS00810	01	HOOD	CAPOT	HAUBE	COFRE	COFANO			
02	B. CRDS00809	01	HOOD	CAPOT	HAUBE	COFRE	COFANO			
03	B. TUAP00005	01	HOSE	TUYAU	ROHR	TUBO	TUBO			
04	B. CMSP00102	01	BRACKET	ENTRIER	BUGEL	GRAPA	STAFFA			
05	S10323	01	PRESSURE GAUGE	MANOMETRE	DRUCKMESSER	MANOMETRO	MANOMETRO			
06	B. GUAR00134	01	FAI-LEAD	PASSAGE P.CABLE	KABELDURCHGANG	PASACABLE	PASSACAVO			
07	B. CRDS00811	01	FRAME	CHASSIS	GERUST	CHASIS	TELAIO			
08	B. TURR00038	01	HOSE	TUYAU	ROHR	TUBO	TUBO			
09	I20920	01	CONNECTOR	RACCORD	VERBIND. STUCK	RACORD	RACCORDO			
10	B. RCVR00220	01	CONNECTOR	RACCORD	VERBIND. STUCK	RACORD	RACCORDO			
11	B. FILT00032	01	FILTER	FILTRE	FILTER	FILTRO	FILTRO			
12	I20305	01	CONNECTOR	RACCORD	VERBIND. STUCK	RACORD	RACCORDO			
13	I10216	01	PUMP	POMPE	PUMPE	BOMBA	POMPA			
14	B. RCVR00188	01	CAP	BOUCHON	VERSCHLUSS	TAPPO	TAPPO			
15	B. RCVR00189	01	CONNECTOR	RACCORD	VERBIND. STUCK	RACORD	RACCORDO			
16	B. TURR00053	01	HOSE	TUYAU	ROHR	TUBO	TUBO			
17	B. RCVR00023	01	SCREW	VIS CREUSE	HOHSCHRAUBE	TORNILLO HUECO	VITE CAVA			
18	I20102	01	NIPPLE	NIPPLE	NIPPEL	NIPLO	NIPPLO			
19	I20602	01	CONNECTOR	RACCORD	VERBIND. STUCK	RACORD	RACCORDO			
20	B. VLRG00038	01	VALVE	SOUPAPE	VENTIL	VALVULA	VALVOLA			
21	E50438	01	PRESSURE SWITCH	PRESSOSTAT	DRUCKSCHALTER	INTERR. PRESIÓN	PRESSOSTATO			
22	I30711	01	CONNECTOR	RACCORD	VERBIND. STUCK	RACORD	RACCORDO			
23	B. RCVR00018	01	SCREW	VIS CREUSE	HOHSCHRAUBE	TORNILLO HUECO	VITE CAVA			
24	B. MOAC00068	01	MOTOR	MOTEUR	MOTOR	MOTOR	MOTORE			
25	B. RCVR00063	01	CONNECTOR	RACCORD	VERBIND. STUCK	RACORD	RACCORDO			
26	B. CRDS00947	01	PLATE	PLAQUE	PLATTE	SOPORTE	PIASTRA			
27	B. MEIP00052	01	PRESSURE SWITCH	PRESSOSTAT	DRUCKSCHALTER	INTERR. PRESIÓN	PRESSOSTATO			
28	B. CMSP00111	04	VIBRATION DAMP.	AMORTISATEUR	SCHVINGUNSDAMP.	ANTIVIBRANTE	ANTIVIBRANTE			
29		01	FLEX. COUPLING	ACCOUPLMENT FL	FLEX. KOPPELUNG	ACOPLADOR FLEX.	GIUNTO			
30	01AC422	01	GRIP	POIGNEE	HANDGRIFF	EMPUNADURA	IMPUGNATURA			
31	01AC419	01	LANCE	LANCE	LANZEN	LANZA	LANCIA			
32	I50295	01	NOZZLE	BUSE	DUSE	BOQUILLA	UGELLO			
33	01AC425	01	HOSE	TUYAU	ROHR	TUBO	TUBO			



REF	CODE	QTY	DESCRIPTION	DENOMINATION	BESCHREIBUNG	DESCRIPCION	DESCRIZIONE	TECNICAL FEATURES		
01	B. CRDS00810	01	HOOD	CAPOT	HAUBE	COFRE	COFANO			
02	B. CRDS00809	01	HOOD	CAPOT	HAUBE	COFRE	COFANO			
03	B. TUAP00005	01	HOSE	TUYAU	ROHR	TUBO	TUBO			
04	B. CMSP00102	01	BRACKET	ENTRIER	BUGEL	GRAPA	STAFFA			
05	S10324	01	PRESSURE GAUGE	MANOMETRE	DRUCKMESSER	MANOMETRO	MANOMETRO			
06	B. GUAR00134	01	FAI-LEAD	PASSAGE P.CABLE	KABELDURCHGANG	PASACABLE	PASSACAVO			
07	B. CRDS00811	01	FRAME	CHASSIS	GERUST	CHASIS	TELAIO			
08	B. TURR00038	01	HOSE	TUYAU	ROHR	TUBO	TUBO			
09	I20920	01	CONNECTOR	RACCORD	VERBIND. STUCK	RACORD	RACCORDO			
10	I20902	01	CONNECTOR	RACCORD	VERBIND. STUCK	RACORD	RACCORDO			
11	B. VLRG00027	01	VALVE	SOUPAPE	VENTIL	VALVULA	VALVOLA			
12	B. MEIP00052	01	PRESSURE SWITCH	PRESSOSTAT	DRUCKSCHALTER	INTERR. PRESIÓN	PRESSOSTATO			
13	I20602	01	CONNECTOR	RACCORD	VERBIND. STUCK	RACORD	RACCORDO			
14	B. POMP00030	01	PUMP	POMPE	PUMPE	BOMBA	POMPA			
15	I20102	01	NIPPLE	NIPPLE	NIPPEL	NIPLO	NIPPLO			
16	B. RCVR00018	01	SCREW	VIS CREUSE	HOHSCHRAUBE	TORNILLO HUECO	VITE CAVA			
17	B. TURR00053	01	HOSE	TUYAU	ROHR	TUBO	TUBO			
18	B. VLRG00011	01	VALVE	SOUPAPE	VENTIL	VALVULA	VALVOLA			
19	I30111	02	CONNECTOR	RACCORD	VERBIND. STUCK	RACORD	RACCORDO			
20	B. MOAC00062	01	MOTOR	MOTEUR	MOTOR	MOTOR	MOTORE			
21	I30101	01	CONNECTOR	RACCORD	VERBIND. STUCK	RACORD	RACCORDO			
22	I20216	01	REDUCTION	RÉDUCTION	VERKLEINERUNG	REDUCCIÓN	RIDUZIONE			
23	B. RCVR00189	01	CONNECTOR	RACCORD	VERBIND. STUCK	RACORD	RACCORDO			
24	B. RCVR00023	01	SCREW	VIS CREUSE	HOHSCHRAUBE	TORNILLO HUECO	VITE CAVA			
25	B. FILT00032	01	FILTER	FILTRE	FILTER	FILTRO	FILTRO			
26	B. RCVR00220	01	HOSE FITTING	RACC. P. TUYAU	SCHLAUCH HALTER	PORTAMANGUERA	PORTAGOMMA			
27	B. CMSP00111	04	VIBRATION DAMP.	AMORTISATEUR	SCHVINGUNSDAMP.	ANTIVIBRANTE	ANTIVIBRANTE			
28	B. CPMT00009	01	FLEX. COUPLING	ACCOUPEMENT FL	FLEX. KOPPELUNG	ACOPLADOR FLEX.	GIUNTO			
29	01AC422	01	GRIP	POIGNEE	HANDGRIFF	EMPUNADURA	IMPUGNATURA			
30	01AC419	01	LANCE	LANCE	LANZEN	LANZA	LANCIA			
31	I50216	01	NOZZLE	BUSE	DUSE	BOQUILLA	UGELLO			
32	01AC425	01	HOSE	TUYAU	ROHR	TUBO	TUBO			

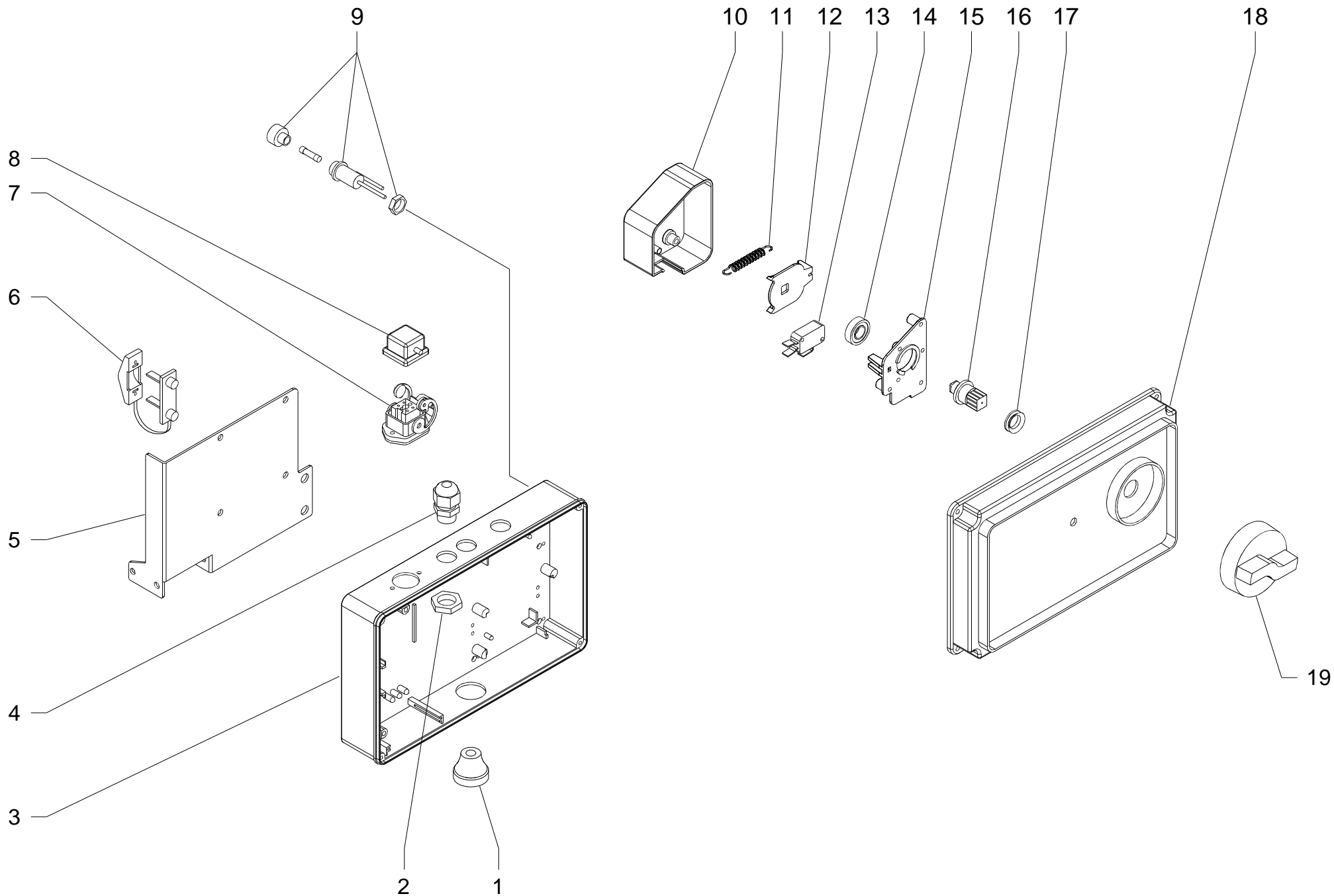


TABLE N° EXPL00116

SPARE PARTS LIST

ELECTRIC PANEL MODULA

20/01/2017

REF	CODE	QTY	DESCRIPTION	DENOMINATION	BESCHREIBUNG	DESCRIPCION	DESCRIZIONE	TECNICAL FEATURES		
01	B. MEVR00294	01	CABLE CLAMP	COLLIER	KABELSCHELLE	ABRAZADERA CABL	PRESSACAVO	MODULA PLUS MODULA E MODULA HD		
02	E20932	02	RING NUT	FRETTE	NUTMUTTER	CASQUILLO	GHIERA			
03	B. PLDS00292	01	BOX	BOÎTE	KASTEN	CAJA	SCATOLA			
04	E20943	02	CABLE CLAMP	COLLIER	KABELSCHELLE	ABRAZADERA CABL	PRESSACAVO			
05	B. CRDS00812	01	SUPPORT	SUPPORT	HALTER	SOPORTE	SUPPORTO			
05	B. CRZN00677	01	SUPPORT	SUPPORT	HALTER	SOPORTE	SUPPORTO			
06	B. MEVR00295	01	CABLE CLAMP	COLLIER	KABELSCHELLE	ABRAZADERA CABL	PRESSACAVO			
07	E20639	01	CONNECTOR	CONNECTEUR	STECKER	CONECTADOR	CONNETTORE			
08	E20665	01	COVER	COUVERCLE	DECKEL	TAPA	COPERCHIO			
09	B. MEVR00326	01	FUSE-HOLDER	PORTE-FUSIBLES	SICHERUNGHALTER	PORTASFUSIBLES	PORTAFUSIBILE			
10	B. PLDS00329	01	COVER	COUVERCLE	DECKEL	TAPA	COPERCHIO			
11	B. MOLL00046	01	SPRING	RESSORT	FEDER	MUELLE	MOLLA			
12	B. PLDS00328	01	LEVER	LEVIER	HEBEL	PALANCA	LEVA			
13	B. MEIP00057	01	SWITCH	INTERRUPTEUR	SCHALTER	INTERRUPTOR	INTERRUTTORE			
14	B. CUSC00032	01	BEARING	ROULEMENT	LAGER	COJINETE	CUSCINETTO			
15	B. PLDS00327	01	SUPPORT	SUPPORT	HALTER	SOPORTE	SUPPORTO			
16	B. CMMP00149	01	INSERT	INSERT	EINSATZ	INSERTO	INSERTO			
17	B. GUAR00112	01	GASKET	GARNITURE	DICHTUNG	GUARNICION	GUARNIZIONE			
18	B. PLDS00293	01	COVER	COUVERCLE	DECKEL	TAPA	COPERCHIO			
19	B. CMMP00110	01	KNOB	POIGNEE	VERSTELLGRIFF	MANOPOLA	MANOPOLA			

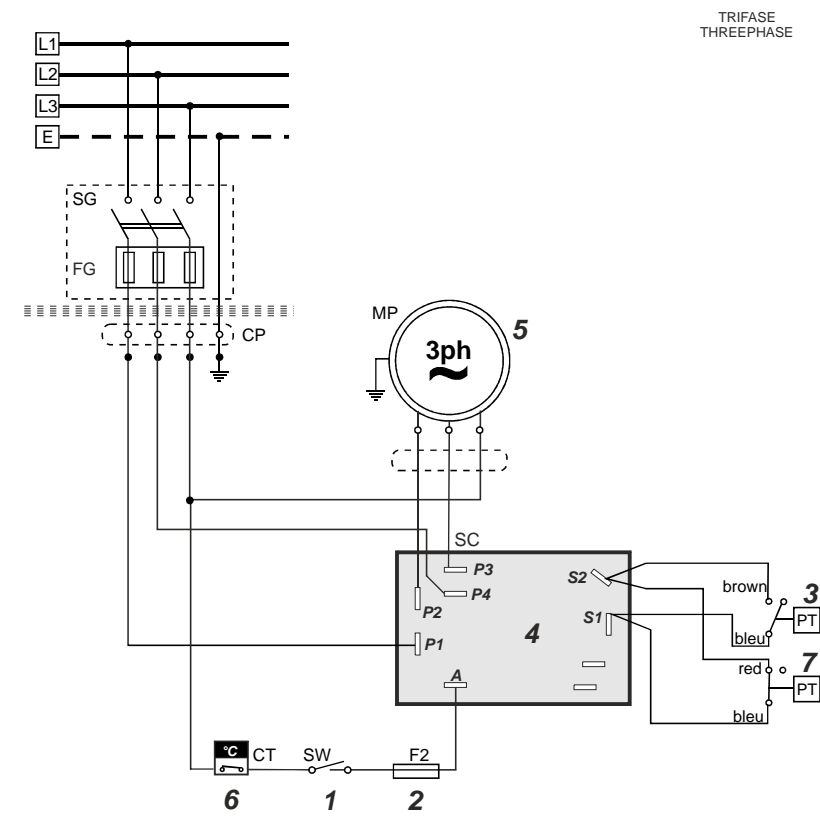
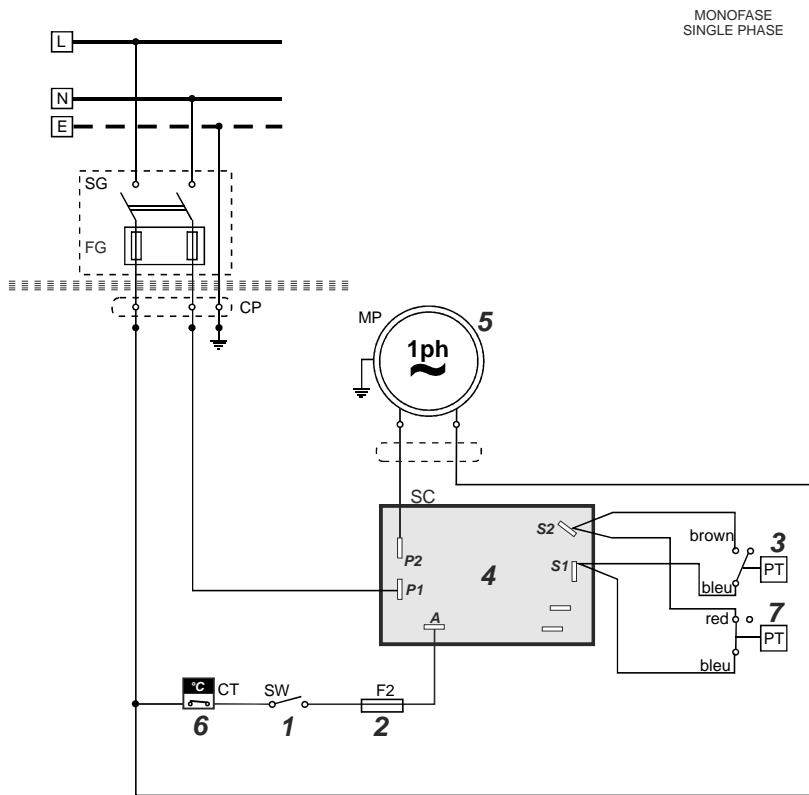


TABLE N° EXPL00120

SPARE PARTS LIST

EL. DIAGRAM MAX MOD MID TDS

13/01/2017

REF	CODE	QTY	DESCRIPTION	DENOMINATION	BESCHREIBUNG	DESCRIPCION	DESCRIZIONE	TECNICAL FEATURES		
01	B. MEIP00057	01	SWITCH	INTERRUPTEUR	SCHALTER	INTERRUPTOR	INTERRUTTORE	monofase - single phase 110V / 50 monofase - single phase 230V trifase - three phase 400V vedi esploso macchina/see exploded		
02	E10326	01	FUSE	FUSIBLE	ABSCHMEL.HERUNG	FUSIBLE	FUSIBILE			
03	B. MEIP00059	01	SWITCH	INTERRUPTEUR	SCHALTER	INTERRUPTOR	INTERRUTTORE			
04	B. MESC00004	01	ELEC. CIRCUIT	CIRQUIT. ELECT.	ELEKTR. STROM.	CIRCUITO ELECT.	SCHEDA			
04	B. MESC00019	01	ELEC. CIRCUIT	CIRQUIT. ELECT.	ELEKTR. STROM.	CIRCUITO ELECT.	SCHEDA			
04	B. MESC00020	01	ELEC. CIRCUIT	CIRQUIT. ELECT.	ELEKTR. STROM.	CIRCUITO ELECT.	SCHEDA			
05		01	MOTOR	MOTEUR	MOTOR	MOTOR	MOTORE			
06		01	TERMIC PROTECT.	PROTECT. TERMIC	TERMIC SCHUTZ	PROTEC. TÉRMICA	TERMICA			
07	B. MEIP00059	01	SWITCH	INTERRUPTEUR	SCHALTER	INTERRUPTOR	INTERRUTTORE			

REF	CODE	QTY	DESCRIPTION	DENOMINATION	BESCHREIBUNG	DESCRIPCION	DESCRIZIONE	TECNICAL FEATURES		
01	B. MEIP00057	01	SWITCH	INTERRUPTEUR	SCHALTER	INTERRUPTOR	INTERRUTTORE			
02	E10326	01	FUSE	FUSIBLE	ABSCHMEL.HERUNG	FUSIBLE	FUSIBILE	0,5 A		
03	B. METR00027	01	TRANSFORMER	TRANSFORMATEUR	TRANSFORMER	TRANSFORMADOR	TRASFORMATORE			
04	B. MESC00017	01	ELEC. CIRCUIT	CIRQUIT. ELECT.	ELEKTR. STROM.	CIRCUITO ELECT.	SCHEDA			
05	B. MEIP00059	01	SWITCH	INTERRUPTEUR	SCHALTER	INTERRUPTOR	INTERRUTTORE			
06		01	TERMIC PROTECT.	PROTECT. TERMIC	TERMIC SCHUTZ	PROTEC. TÉRMICA	TERMICA	(nel motore / inside motor)		
07	B. METR00036	01	CONTACTOR	CONTACTEUR	FERNSCHALTER	CONTACTOR	TELERUTTORE	MAXIMA 200.30 - 300.21 - 350.15		
07	B METR00033	01	CONTACTOR	CONTACTEUR	FERNSCHALTER	CONTACTOR	TELERUTTORE	MAXIMA PLUS 160.15		
07	B METR00035	01	CONTACTOR	CONTACTEUR	FERNSCHALTER	CONTACTOR	TELERUTTORE	MAXIMA 180.18-200.15/20/21		
07	B METR00035	01	CONTACTOR	CONTACTEUR	FERNSCHALTER	CONTACTOR	TELERUTTORE	MODULA HD/PLUS: 180.18-200.15/20		
07	B METR00049	01	CONTACTOR	CONTACTEUR	FERNSCHALTER	CONTACTOR	TELERUTTORE	MODULA PLUS 130.10		
07	B. METR00033	01	CONTACTOR	CONTACTEUR	FERNSCHALTER	CONTACTOR	TELERUTTORE	MODULA 160.15 HD/PLUS		
08	B. MOAC00068	01	MOTOR	MOTEUR	MOTOR	MOTOR	MOTORE	MODULA PLUS 200.21		
08	B. MOAC00063	01	MOTOR	MOTEUR	MOTOR	MOTOR	MOTORE	MODULA PLUS 180.18 - 200.15		
08	B. MOAC00055	01	MOTOR	MOTEUR	MOTOR	MOTOR	MOTORE	MODULA PLUS 160.15		
08	B. MOAC00053	01	MOTOR	MOTEUR	MOTOR	MOTOR	MOTORE	MODULA PLUS 130.10		
08	B. MOAC00048	01	MOTOR	MOTEUR	MOTOR	MOTOR	MOTORE	MODULA HD 160.15		
08	E10603-10	01	MOTOR	MOTEUR	MOTOR	MOTOR	MOTORE	MODULA HD 180.18-200.15		
08	B. MOAC00038	01	MOTOR	MOTEUR	MOTOR	MOTOR	MOTORE	MODULA HD 200.20		
09	E10327	01	FUSE	FUSIBLE	ABSCHMEL.HERUNG	FUSIBLE	FUSIBILE	0,63 A		
10	B. MEIP00049	01	SWITCH	INTERRUPTEUR	SCHALTER	INTERRUPTOR	INTERRUTTORE			
11	01AC441	01	REMOTE CONTROL	REMOTE CONTROL	REMOTE CONTROL	REMOTE CONTROL	REMOTE CONTROL	MOD. MODULA PLUS		
12	B. MEIP00059	01	SWITCH	INTERRUPTEUR	SCHALTER	INTERRUPTOR	INTERRUTTORE			



BIEMMEDUE S.p.A. - Via Industria, 12 - 12062 - CHERASCO (CN) - Italy
Tel. +39 0172 486111 - Fax +39 0172 488270
www.biemmedue.com - e-mail: bm2@biemmedue.com