



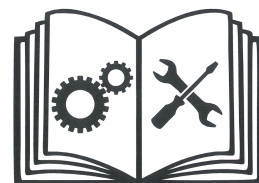
MOTOSPAZZATRICI PROFESSIONALI
PROFESSIONAL SWEEPERS
BALAYEUS PROFESIONAL
PROFESSIONELL KHERMASCHINEN
BARREDORA PROFESSIONAL

DUSTY 1100

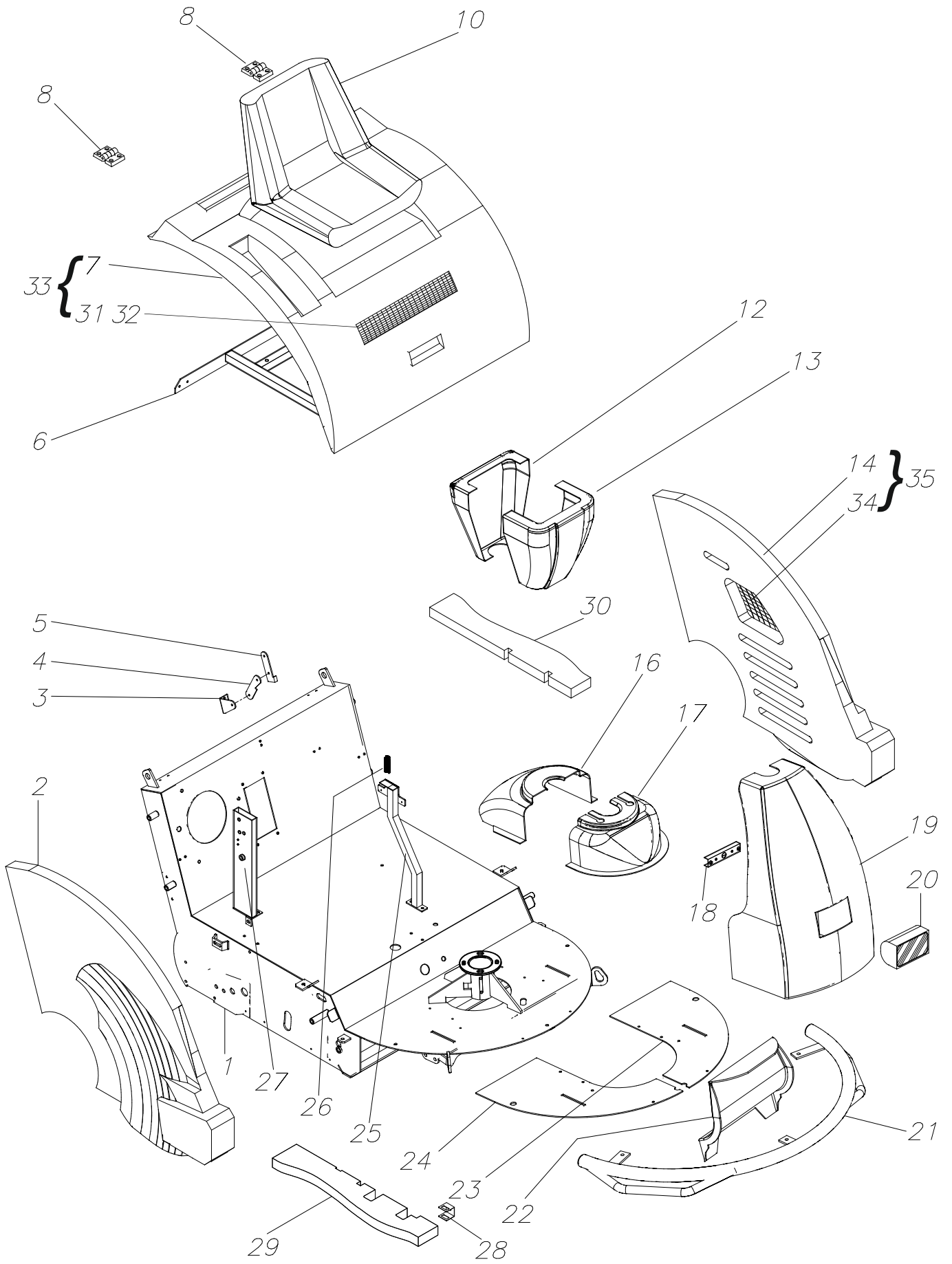
Spazzatrice
Sweeper
Balayeus
Kehrmaschinen
Barredora



L-LC071.04-BM



REF	CODE	QTY	DESCRIPTION	DENOMINATION	BESCHREIBUNG	DESCRIPCION	DESCRIZIONE	TECNICAL FEATURES	PRICE LIST €
01	B. CRVR00649	01	FRAME	CHASSIS	GERUST	CHASIS	TELAIO		
02	B. PLDS00282	01	SIDE	FLANC	FLANKE	FLANCO	FIANCO	DX	
03	B. CRZN00517	01	LEVER	LEVIER	HEBEL	PALANCA	LEVA		
04	B. CRZN00516	01	LEVER	LEVIER	HEBEL	PALANCA	LEVA		
05	B. CRZN00515	01	LEVER	LEVIER	HEBEL	PALANCA	LEVA		
06	B. CRVR00662	01	CONVEYOR	CONVOYEUR	FORDERER	ENCAMINADOR	CONVOGLIATORE		
07	B. CRVR00657	01	CONVEYOR	CONVOYEUR	FORDERER	ENCAMINADOR	CONVOGLIATORE		
08	B. CRVR00651	01	FRAME	CHASSIS	GERUST	CHASIS	TELAIO		
09	B. PLDS00284	01	HOOD	CAPOT	HAUBE	COFRE	COFANO	RED - ORDER B.PMCF00002	
10	B. CMMP00104	02	HINGE	CHARNIERE	SCHARNIER	BISAGRA	CERNIERA		
12	B. CMSP00015	01	SEAT	SIÈGE	SITZ	ASIENTO	SEDILE		
14	B. PLDS00089	01	CRANKCASE	CARTER	GEHAUSE	CARTER	CARTER		
15	B. PLDS00087	01	CRANKCASE	CARTER	GEHAUSE	CARTER	CARTER		
16	B. PLDS00164	01	CRANKCASE	CARTER	GEHAUSE	CARTER	CARTER		
17	B. PLDS00163	01	CRANKCASE	CARTER	GEHAUSE	CARTER	CARTER		
18	B. PLDS00283	01	SIDE	FLANC	FLANKE	FLANCO	FIANCO	SX - ORDER B.PMCF00003	
20	B. CRDS00621	01	BRACKET	ENTRIER	BUGEL	GRAPA	STAFFA		
21	B. PLDS00005	01	CRANKCASE	CARTER	GEHAUSE	CARTER	CARTER		
22	B. MEVR00280	01	HEADLIGHTS	PHARES	SCHEINWERFER	LINTERNAS	FANALE		
23	B. ACBT00013	01	BATTERY	BATTERIE	BATTERIE	BATERIA	BATTERIA	12 V - 20 Ah	
24	B. CRVR00140	01	BUMPER	PARE CHOC	KOTFLUGEL	PARACHOQUE	PARAURTI		
25	B. CRVR00659	01	SUPPORT	SUPPORT	HALTER	SOPORTE	SUPPORTO		
26	B. MEVR00070	01	FUSE-HOLDER	PORTE-FUSIBLES	SICHERUNGHALTER	PORTASFUSIBLES	PORTAFUSIBILE		
27	B. MEVR00279	01	FUSE	FUSIBLE	ABSCHMEL.HERUNG	FUSIBLE	FUSIBILE	100 A	
28	B. PLDS00285	01	CRANKCASE	CARTER	GEHAUSE	CARTER	CARTER		
29	B. GUAR00106	01	GASKET	GARNITURE	DICHTUNG	GUARNICION	GUARNIZIONE		
30	B. GUAR00105	01	GASKET	GARNITURE	DICHTUNG	GUARNICION	GUARNIZIONE		
31	B. CRVR00024	01	SUPPORT	SUPPORT	HALTER	SOPORTE	SUPPORTO		
32	B. CRZN00630	04	SUPPORT	SUPPORT	HALTER	SOPORTE	SUPPORTO		
33	B. GUAR00110	01	GASKET	GARNITURE	DICHTUNG	GUARNICION	GUARNIZIONE	DX	
34	B. GUAR00111	01	GASKET	GARNITURE	DICHTUNG	GUARNICION	GUARNIZIONE	SX	
35	B. ÖÜÖüéíí	01	METAL LATH	FILET	NET	RED	RETE		
36	B. ÖÜÖüéíí6	01	METAL LATH	FILET	NET	RED	RETE		
37	B. PMCF00002	01	HOOD	CAPOT	HAUBE	COFRE	COFANO		
38	B. ÖÜÖüéíí7	01	METAL LATH	FILET	NET	RED	RETE		
39	B. PMCF00003	01	SIDE	FLANC	FLANKE	FLANCO	FIANCO		



REF	CODE	QTY	DESCRIPTION	DENOMINATION	BESCHREIBUNG	DESCRIPCION	DESCRIZIONE	TECNICAL FEATURES	PRICE LIST €
01	B. CRVR00649	01	FRAME	CHASSIS	GERUST	CHASIS	TELAIO		
02	B. PLDS00282	01	SIDE	FLANC	FLANKE	FLANCO	FIANCO	DX	
03	B. CRZN00517	01	LEVER	LEVIER	HEBEL	PALANCA	LEVA		
04	B. CRZN00516	01	LEVER	LEVIER	HEBEL	PALANCA	LEVA		
05	B. CRZN00515	01	LEVER	LEVIER	HEBEL	PALANCA	LEVA		
06	B. CRVR00670	01	SUPPORT	SUPPORT	HALTER	SOPORTE	SUPPORTO		
07	B. PLDS00284	01	HOOD	CAPOT	HAUBE	COFRE	COFANO	RED - ORDER B.PMCF00002	
08	B. CMMP00104	02	HINGE	CHARNIERE	SCHARNIER	BISAGRA	CERNIERA		
10	B. CMSP00015	01	SEAT	SIÈGE	SITZ	ASIENTO	SEDILE		
12	B. PLDS00164	01	CRANKCASE	CARTER	GEHAUSE	CARTER	CARTER		
13	B. PLDS00163	01	CRANKCASE	CARTER	GEHAUSE	CARTER	CARTER		
14	B. PLDS00283	01	SIDE	FLANC	FLANKE	FLANCO	FIANCO	SX - ORDER B.PMCF00003	
16	B. PLDS00089	01	CRANKCASE	CARTER	GEHAUSE	CARTER	CARTER		
17	B. PLDS00087	01	CRANKCASE	CARTER	GEHAUSE	CARTER	CARTER		
18	B. CRDS00621	01	BRACKET	ENTRIER	BUGEL	GRAPA	STAFFA		
19	B. PLDS00005	01	CRANKCASE	CARTER	GEHAUSE	CARTER	CARTER		
20	B. MEVR00280	01	HEADLIGHTS	PHARES	SCHEINWERFER	LINTERNAS	FANALE		
21	B. CRVR00140	01	BUMPER	PARE CHOC	KOTFLUGEL	PARACHOQUE	PARAURTI		
22	B. PLDS00285	01	CRANKCASE	CARTER	GEHAUSE	CARTER	CARTER		
23	B. GUAR00106	01	GASKET	GARNITURE	DICHTUNG	GUARNICION	GUARNIZIONE		
24	B. GUAR00105	01	GASKET	GARNITURE	DICHTUNG	GUARNICION	GUARNIZIONE		
25	B. CRVR00050	01	SUPPORT	SUPPORT	HALTER	SOPORTE	SUPPORTO		
26	B. MOLL00027	01	SPRING	RESSORT	FEDER	MUELLE	MOLLA		
27	B. CRVR00024	01	SUPPORT	SUPPORT	HALTER	SOPORTE	SUPPORTO		
28	B. CRZN00630	04	SUPPORT	SUPPORT	HALTER	SOPORTE	SUPPORTO		
29	B. GUAR00110	01	GASKET	GARNITURE	DICHTUNG	GUARNICION	GUARNIZIONE		
30	B. GUAR00111	01	GASKET	GARNITURE	DICHTUNG	GUARNICION	GUARNIZIONE		
31	B. ÖÜÜéíí	01	METAL LATH	FILET	NET	RED	RETE		
32	B. ÖÜÜéíí6	01	METAL LATH	FILET	NET	RED	RETE		
33	B. PMCF00002	01	HOOD	CAPOT	HAUBE	COFRE	COFANO		
34	B. CRDS00657	01	METAL LATH	FILET	NET	RED	RETE		
35	B. PMCF00003	01	SIDE	FLANC	FLANKE	FLANCO	FIANCO		

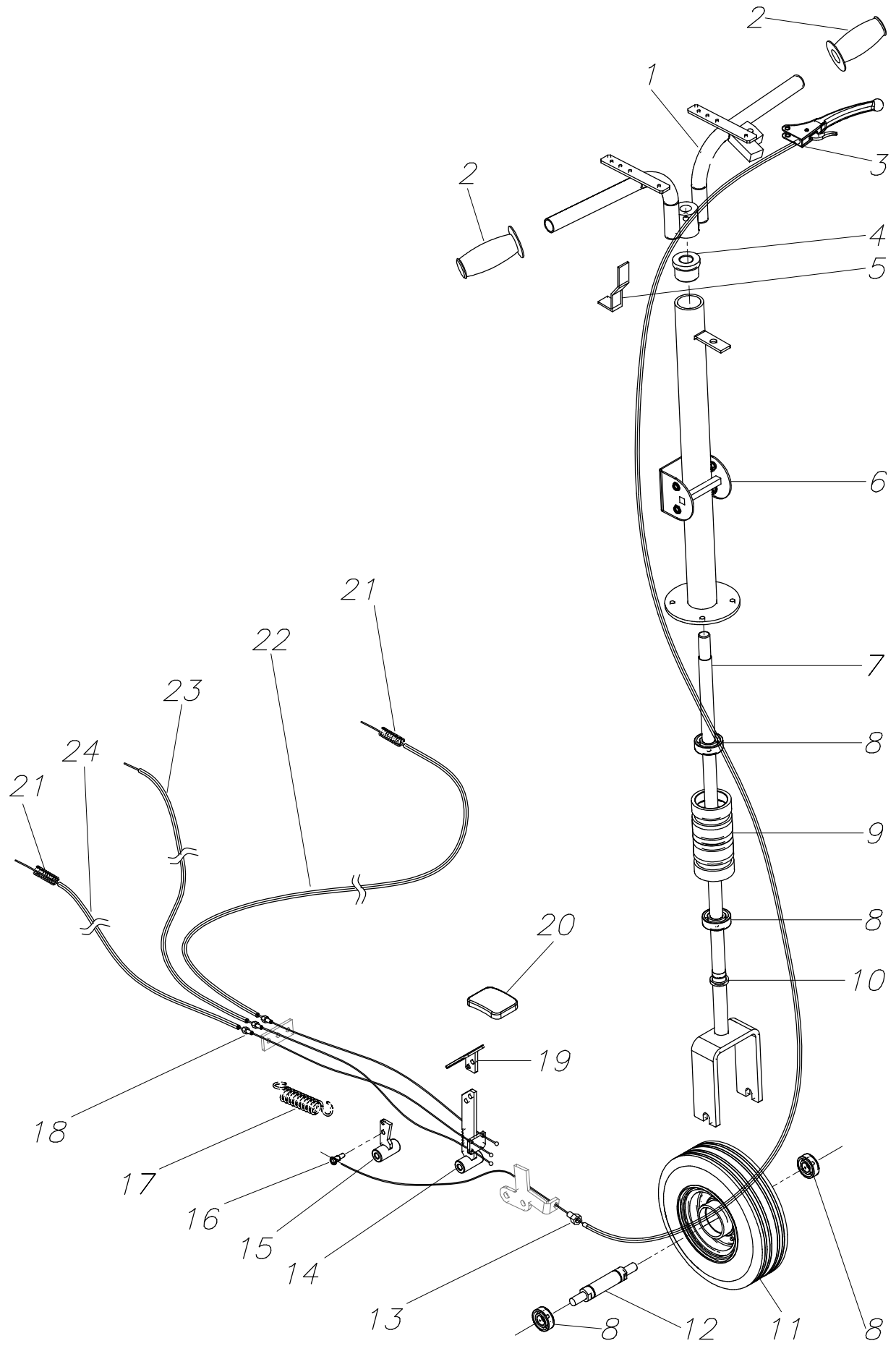


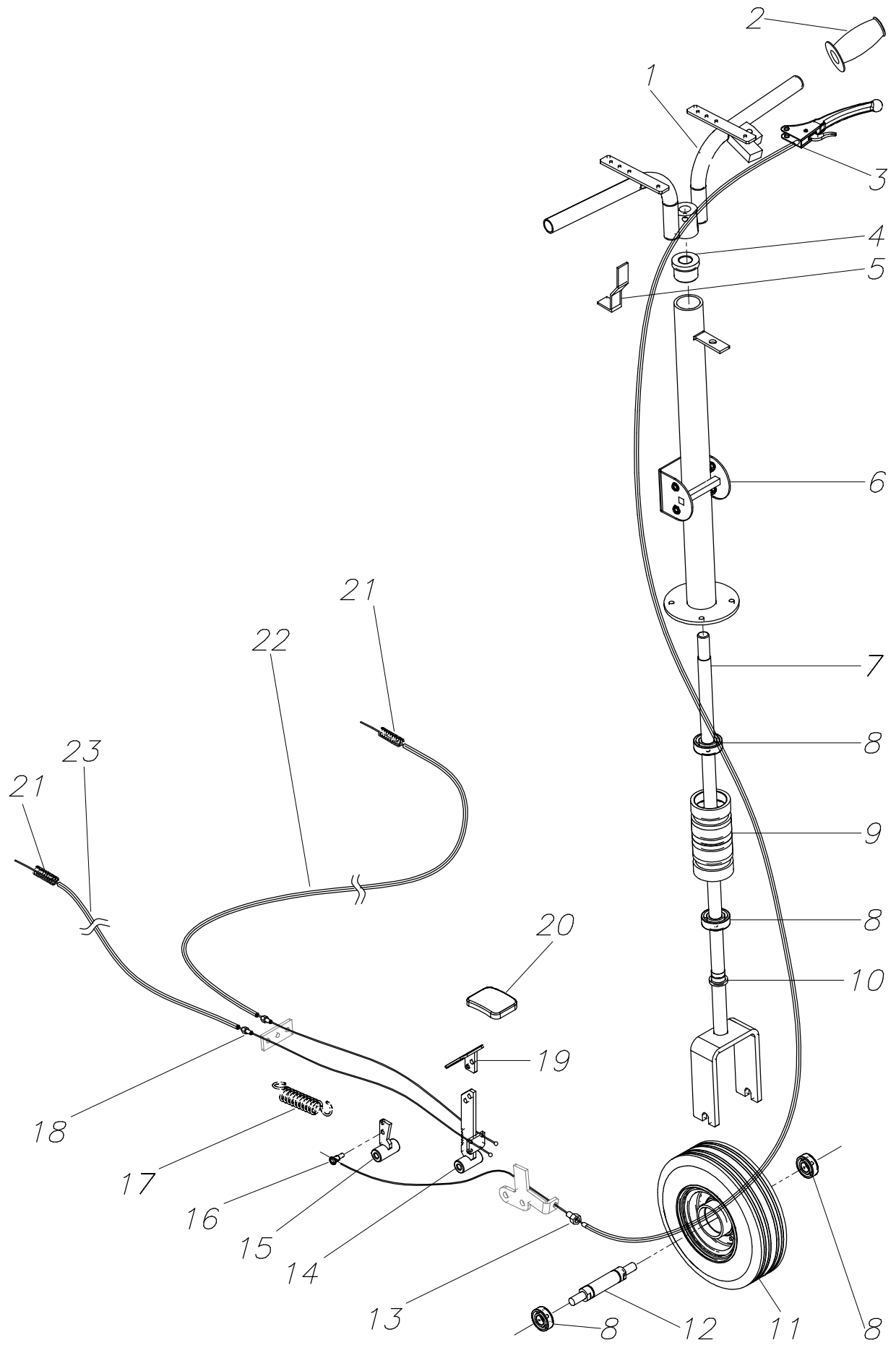
TABLE N° EXPL00069

SPARE PARTS LIST

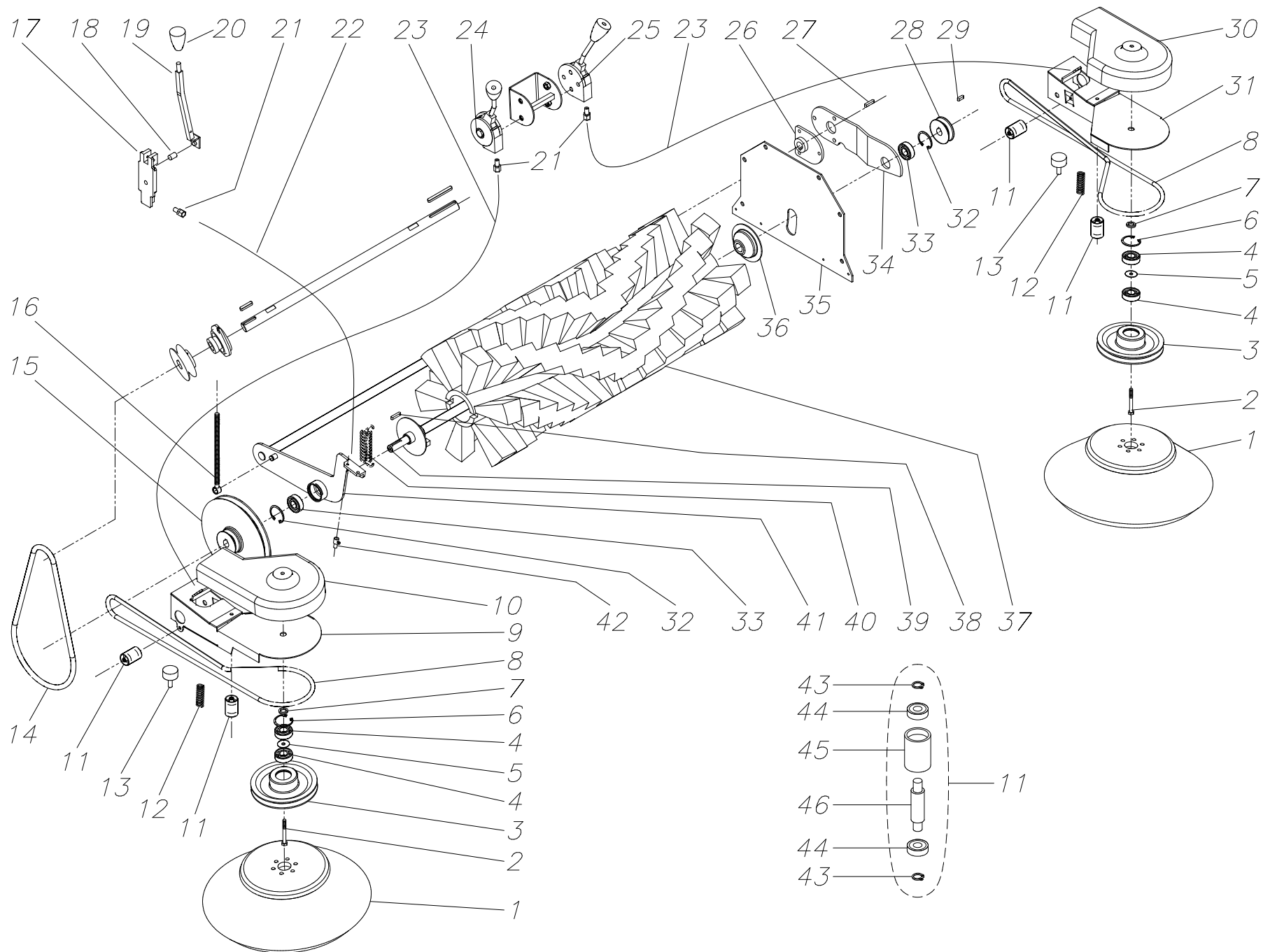
PIANTONE 1100 STH 09/07

08/08/2008

REF	CODE	QTY	DESCRIPTION	DENOMINATION	BESCHREIBUNG	DESCRIPCION	DESCRIZIONE	TECNICAL FEATURES	PRICE LIST €
01	B. CRVR00039	01	HANDLE-BAR	GUIDON	LENKSTANGE	MANILLAR	MANUBRIO		
02	B. CMMP00083	02	KNOB	POIGNEE	VERSTELLGRIFF	MANOPOLA	MANOPOLA		
03	B. CMCV00013	01	LEVER+CORD	LEIVER+CORDE	HEBEL+SEIL	PALANCA+CUERDA	LEVA+CORDA		
04	B. TNBD00016	01	BUSHING	DOUILLE	BUCHSE	MANGUITO	BOCCOLA		
05	B. CRZN00252	01	BRACKET	ENTRIER	BUGEL	GRAPA	STAFFA		
06	B. CRVR00009	01	STEERING COLUMN	COLONNE DE DIR.	STEUERUNG	COLUMNA DE DIR.	PIANTONE		
07	B. CRZN00003	01	BRACKET	PARENTHÈSE	HALTEWINKEL	HORQUILLA	FORCELLA		
08	B. CUSC00011	04	BEARING	ROULEMENT	LAGER	COJINETE	CUSCINETTO		
09	B. TNBD00006	01	BUSHING	DOUILLE	BUCHSE	MANGUITO	BOCCOLA		
10	B. TNBD00041	01	SPACER	ENTRETOISE	DISTANZSTUCK	DISTANCIADOR	DISTANZIALE		
11	B. RUOT00000	01	WHEEL	ROUE	LAUFRAD	RUEDA	RUOTA		
12	B. TNPE00026	01	PIN	PIVOT	SCHARNIER	PERNO	PERNO		
13	B. VTSP00063	01	REGISTER	REGLER	KLAPPE	REGISTRO	REGISTRO		
14	B. CRVR00144	01	PEDAL	PÉDALE	PEDAL	PEDAL	PEDALE		
15	B. CRVR00502	01	BRACKET	ENTRIER	BUGEL	GRAPA	STAFFA		
16	B. VTSP00063	01	CLAMP	BORNE	KLEMME	ABRAZADERA	MORSETTO		
17	B. MOLL00025	01	SPRING	RESSORT	FEDER	MUELLE	MOLLA		
18	B. VTSP00065	03	REGISTER	REGLER	KLAPPE	REGISTRO	REGISTRO		
19	B. CRVR00300	01	PEDAL	PÉDALE	PEDAL	PEDAL	PEDALE		
20	B. GUAR00006	01	GASKET	GARNITURE	DICHTUNG	GUARNICION	GUARNIZIONE		
21	B. MOLL00010	02	SPRING	RESSORT	FEDER	MUELLE	MOLLA		
22	B. CMCV00029	01	SHEATH+CORD	GAINÉ+CORDE	MANTEL+SEIL	VAINA+CUERDA	GUAINA+CORDA		
23	B. CMCV00022	01	SHEATH+CORD	GAINÉ+CORDE	MANTEL+SEIL	VAINA+CUERDA	GUAINA+CORDA		
24	B. CMCV00028	01	SHEATH+CORD	GAINÉ+CORDE	MANTEL+SEIL	VAINA+CUERDA	GUAINA+CORDA		



REF	CODE	QTY	DESCRIPTION	DENOMINATION	BESCHREIBUNG	DESCRIPCION	DESCRIZIONE	TECNICAL FEATURES	PRICE LIST €
01	B. CRVR00039	01	HANDLE-BAR	GUIDON	LENKSTANGE	MANILLAR	MANUBRIO		
02	B. CMMP00083	01	KNOB	POIGNEE	VERSTELLGRIFF	MANOPOLA	MANOPOLA		
03	B. CMCV00013	01	LEVER+CORD	LEIVER+CORDE	HEBEL+SEIL	PALANCA+CUERDA	LEVA+CORDA		
04	B. TNBD00016	01	BUSHING	DOUILLE	BUCHSE	MANGUITO	BOCCOLA		
05	B. CRZN00252	01	BRACKET	ENTRIER	BUGEL	GRAPA	STAFFA		
06	B. CRVR00009	01	STEERING COLUMN	COLONNE DE DIR.	STEUERUNG	COLUMNNA DE DIR.	PIANTONE		
07	B. CRZN00003	01	BRACKET	PARENTHÈSE	HALTEWINKEL	HORQUILLA	FORCELLA		
08	B. CUSC00011	04	BEARING	ROULEMENT	LAGER	COJINETE	CUSCINETTO		
09	B. TNBD00006	01	BUSHING	DOUILLE	BUCHSE	MANGUITO	BOCCOLA		
10	B. TNBD00041	01	SPACER	ENTRETOISE	DISTANZSTUCK	DISTANCIADOR	DISTANZIALE		
11	B. RUOT00000	01	WHEEL	ROUE	LAUFRAD	RUEDA	RUOTA		
12	B. TNPE00026	01	PIN	PIVOT	SCHARNIER	PERNO	PERNO		
13	B. VTSP00063	01	REGISTER	REGLER	KLAPPE	REGISTRO	REGISTRO		
14	B. CRVR00144	01	PEDAL	PÉDALE	PEDAL	PEDAL	PEDALE		
15	B. CRVR00502	01	BRACKET	ENTRIER	BUGEL	GRAPA	STAFFA		
16	B. VTSP00063	01	CLAMP	BORNE	KLEMME	ABRAZADERA	MORSETTO		
17	B. MOLL00025	01	SPRING	RESSORT	FEDER	MUELLE	MOLLA		
18	B. VTSP00065	02	REGISTER	REGLER	KLAPPE	REGISTRO	REGISTRO		
19	B. CRVR00300	01	PEDAL	PÉDALE	PEDAL	PEDAL	PEDALE		
20	B. GUAR00006	01	GASKET	GARNITURE	DICHTUNG	GUARNICION	GUARNIZIONE		
21	B. MOLL00010	02	SPRING	RESSORT	FEDER	MUELLE	MOLLA		
22	B. CMCV00029	01	SHEATH+CORD	GAINE+CORDE	MANTEL+SEIL	VAINA+CUERDA	GUAINA+CORDA		
23	B. CMCV00028	01	SHEATH+CORD	GAINE+CORDE	MANTEL+SEIL	VAINA+CUERDA	GUAINA+CORDA		



REF	CODE	QTY	DESCRIPTION	DENOMINATION	BESCHREIBUNG	DESCRIPCION	DESCRIZIONE	TECNICAL FEATURES	PRICE LIST €
01	B. SPAZ00009	02	BRUSH	BROSSE	BUERSTE	CEPILLO	SPAZZOLA		
02	B. TNPE00012	02	SCREW	VIS	SCHRAUBE	TORNILLO	VITE		
03	B. TNPU00015	02	PULLEY	POULIE	RIEMENSCHLEIBE	POLEA	PULEGGIA		
04	B. CUSC00009	04	BEARING	ROULEMENT	LAGER	COJINETE	CUSCINETTO		
05	B. TNBD00040	04	SPACER	ENTRETOISE	DISTANZSTUCK	DISTANCIADOR	DISTANZIALE		
06	B. VTAN00008	02	SEEGER	SEEGER	SEEGER	SEEGER	SEEGER		
07	B. TNSP00058	04	SPACER	ENTRETOISE	DISTANZSTUCK	DISTANCIADOR	DISTANZIALE		
08	B. CING00021	02	BELT	COURROIE	RIEMEN	CORREA	CINGHIA		
09	B. CRVR00306	01	SUPPORT	SUPPORT	HALTER	SOPORTE	SUPPORTO		
10	B. PLDS00017	01	CRANKCASE	CARTER	GEHAUSE	CARTER	CARTER		
11	B. PMVR00015	04	ROLLER	ROULLEMENT	ROLLE	ROLLO	RULLO		
12	B. MOLL00027	02	SPRING	RESSORT	FEDER	MUELLE	MOLLA		
13	B. CMSP00038	02	VIBRATION DAMP.	AMORTISATEUR	SCHVINGUNSDAMP.	ANTIVIBRANTE	ANTIVIBRANTE		
14	B. CING00025	01	BELT	COURROIE	RIEMEN	CORREA	CINGHIA		
15	B. TNPU00033	01	PULLEY	POULIE	RIEMENSCHLEIBE	POLEA	PULEGGIA		
16	B. CRZN00563	01	TIE ROD	TIRANT	ZUGSTANGE	TIRANTE	TIRANTE		
17	B. TNLV00001	01	SUPPORT	SUPPORT	HALTER	SOPORTE	SUPPORTO		
18	B. MOLL00038	01	SPRING	RESSORT	FEDER	MUELLE	MOLLA		
19	B. CRVR00671	01	LEVER	LEVIER	HEBEL	PALANCA	LEVA		
20	B. CMMP00126	01	KNOB	POIGNEE	KNAUP	POMULO	POMELLO		
21	B. VTSP00065	03	REGISTER	REGLER	KLAPPE	REGISTRO	REGISTRO		
22	B. CMCV00006	01	SHEATH+CORD	GAINES+CORDE	MANTEL+SEIL	VAINA+CUERDA	GUAINA+CORDA		
23	B. CMCV00007	02	SHEATH+CORD	GAINES+CORDE	MANTEL+SEIL	VAINA+CUERDA	GUAINA+CORDA		
24	B. CMSP00011	01	LEVER	LEVIER	HEBEL	PALANCA	LEVA		
25	B. CMSP00025	01	LEVER	LEVIER	HEBEL	PALANCA	LEVA		
26	B. CRZN00631	01	BRACKET	ENTRIER	BUGEL	GRAPA	STAFFA		
27	B. VTSP00039	01	KEY	CLAVETTE	KEIL	CHAVETA	CHIAVETTA		
28	B. TNPU00034	01	PULLEY	POULIE	RIEMENSCHLEIBE	POLEA	PULEGGIA		
29	B. VTSP00040	01	KEY	CLAVETTE	KEIL	CHAVETA	CHIAVETTA		
30	B. PLDS00016	01	CRANKCASE	CARTER	GEHAUSE	CARTER	CARTER		
31	B. CRVR00511	01	SUPPORT	SUPPORT	HALTER	SOPORTE	SUPPORTO		
32	B. VTAN00009	02	SEEGER	SEEGER	SEEGER	SEEGER	SEEGER		
33	B. CUSC00010	02	BEARING	ROULEMENT	LAGER	COJINETE	CUSCINETTO		
34	B. CRZN00632	01	BRACKET	ENTRIER	BUGEL	GRAPA	STAFFA		
35	B. CRVR00504	01	CRANKCASE	CARTER	GEHAUSE	CARTER	CARTER		
36	B. CRDS00519	01	PIN	PIVOT	SCHARNIER	PERNO	PERNO		
37	B. SPAZ00022	01	BRUSH	BROSSE	BUERSTE	CEPILLO	SPAZZOLA		
38	B. VTSP00042	01	KEY	CLAVETTE	KEIL	CHAVETA	CHIAVETTA		
39	B. CRZN00048	01	TRACTION FLANGE	BRIDE DE TRACT.	ZUGKRAFT-FLANS.	BRIDE DE TRACC.	TRASCINATORE		
40	B. MOLL00007	01	SPRING	RESSORT	FEDER	MUELLE	MOLLA		
41	B. CRZN00292	01	BRACKET	ENTRIER	BUGEL	GRAPA	STAFFA		
42	B. VTSP00080	01	CLAMP	BORNE	KLEMME	ABRAZADERA	MORSETTO		
43	B. VTAN00008	02	SEEGER	SEEGER	SEEGER	SEEGER	SEEGER		
44	B. CUSC00012	02	BEARING	ROULEMENT	LAGER	COJINETE	CUSCINETTO		
45	B. TNSP00056	01	BUSHING	DOUILLE	BUCHSE	MANGUITO	BOCCOLA		
46	B. TNSP00057	01	PIN	PIVOT	SCHARNIER	PERNO	PERNO		

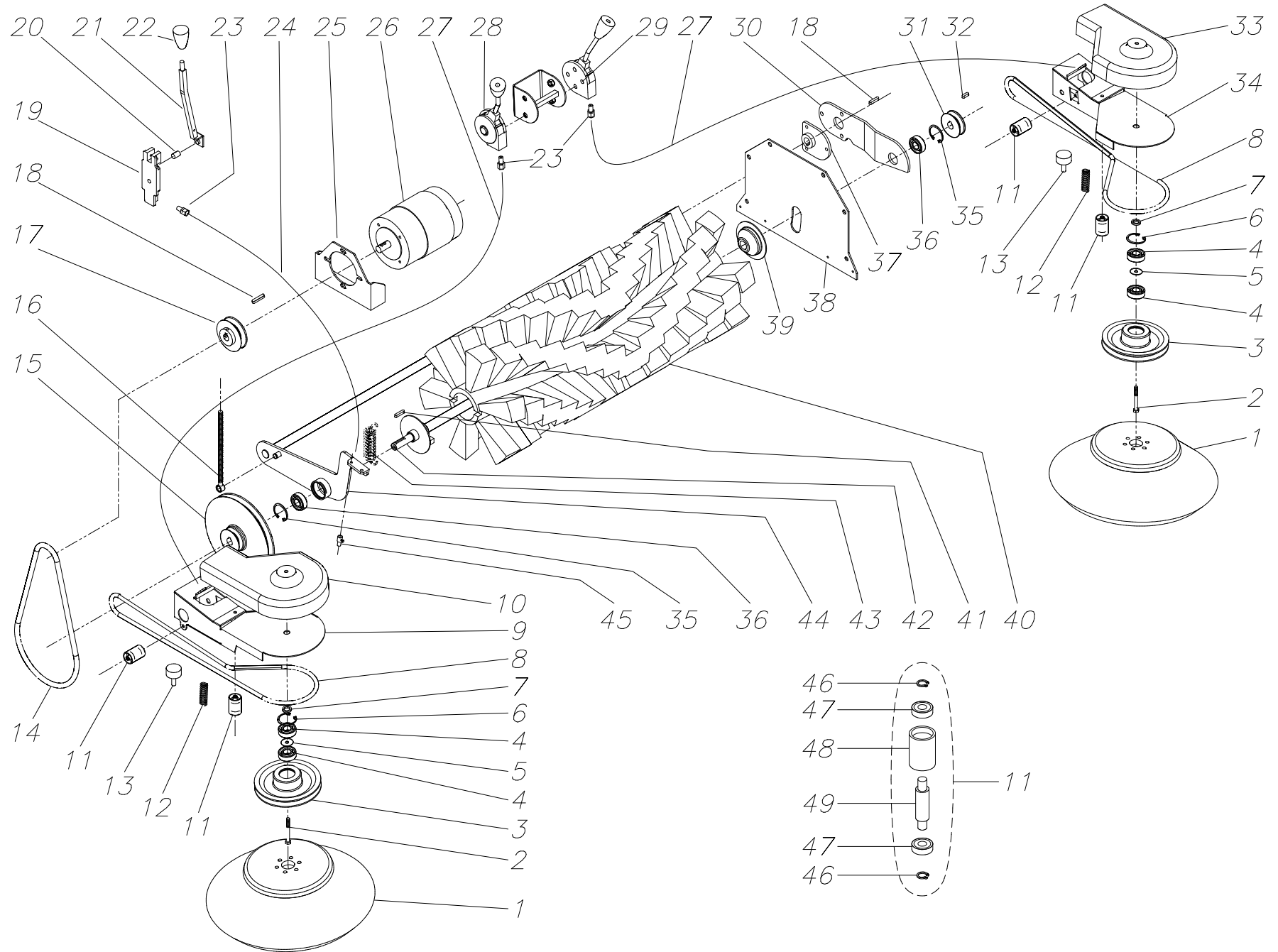


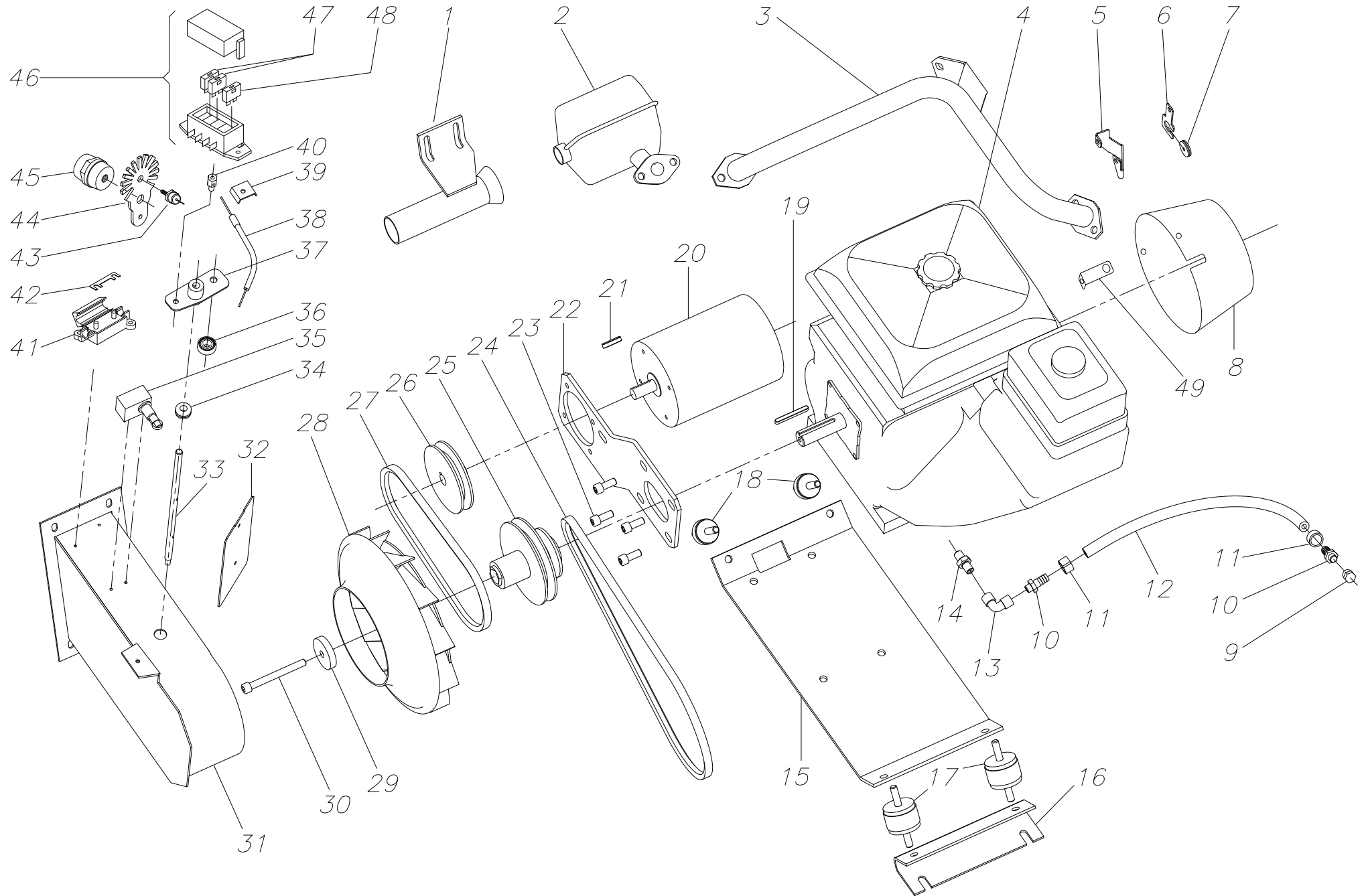
TABLE N° EXPL00078

SPARE PARTS LIST

GR.SPAZZ. DUSTY 1100 ET 09/07

08/08/2008

REF	CODE	QTY	DESCRIPTION	DENOMINATION	BESCHREIBUNG	DESCRIPCION	DESCRIZIONE	TECNICAL FEATURES	PRICE LIST €
01	B. SPAZ00009	02	BRUSH	BROSSE	BUERSTE	CEPILLO	SPAZZOLA		
02	B. TNPE00012	02	SCREW	VIS	SCHRAUBE	TORNILLO	VITE		
03	B. TNPU00015	02	PULLEY	POULIE	RIEMENSCHIEBE	POLEA	PULEGGIA		
04	B. CUSC00009	04	BEARING	ROULEMENT	LAGER	COJINETE	CUSCINETTO		
05	B. TNBD00040	02	SPACER	ENTRETOISE	DISTANZSTUCK	DISTANCIADOR	DISTANZIALE		
06	B. VTAN00008	02	SEEGER	SEEGER	SEEGER	SEEGER	SEEGER		
07	B. TNSP00058	04	SPACER	ENTRETOISE	DISTANZSTUCK	DISTANCIADOR	DISTANZIALE		
08	B. CING00021	02	BELT	COURROIE	RIEMEN	CORREA	CINGHIA		
09	B. CRVR00306	01	SUPPORT	SUPPORT	HALTER	SOPORTE	SUPPORTO		
10	B. PLDS00017	01	CRANKCASE	CARTER	GEHAUSE	CARTER	CARTER		
11	B. PMVR00015	04	ROLLER	ROULLEMENT	ROLLE	ROLLO	RULLO		
12	B. MOLL00027	02	SPRING	RESSORT	FEDER	MUELLE	MOLLA		
13	B. CMSP00038	02	VIBRATION DAMP.	AMORTISATEUR	SCHVINGUNSDAMP.	ANTIVIBRANTE	ANTIVIBRANTE		
14	B. CING00024	01	BELT	COURROIE	RIEMEN	CORREA	CINGHIA		
15	B. TNPU00013	01	PULLEY	POULIE	RIEMENSCHIEBE	POLEA	PULEGGIA		
16	B. CRZN00563	01	TIE ROD	TIRANT	ZUGSTANGE	TIRANTE	TIRANTE		
17	B. TNPU00009	01	PULLEY	POULIE	RIEMENSCHIEBE	POLEA	PULEGGIA		
18	B. VTSP00039	02	KEY	CLAVETTE	KEIL	CHAVETA	CHIAVETTA		
19	B. TNLV00001	01	SUPPORT	SUPPORT	HALTER	SOPORTE	SUPPORTO		
20	B. MOLL00038	01	SPRING	RESSORT	FEDER	MUELLE	MOLLA		
21	B. CRVR00671	01	LEVER	LEVIER	HEBEL	PALANCA	LEVA		
22	B. CMMP00126	01	KNOB	POIGNEE	KNAUP	POMULO	POMELLO		
23	B. VTSP00065	03	REGISTER	REGLER	KLAPPE	REGISTRO	REGISTRO		
24	B. CMCV00006	01	SHEATH+CORD	GAINE+CORDE	MANTEL+SEIL	VAINA+CUERDA	GUAINA+CORDA		
25	B. CRVR00029	01	SUPPORT	SUPPORT	HALTER	SOPORTE	SUPPORTO		
26	B. MOCC00000	01	MOTOR	MOTEUR	MOTOR	MOTOR	MOTORE		
27	B. CMCV00007	02	SHEATH+CORD	GAINE+CORDE	MANTEL+SEIL	VAINA+CUERDA	GUAINA+CORDA		
28	B. CMSP00011	01	LEVER	LEVIER	HEBEL	PALANCA	LEVA		
29	B. CMSP00025	01	LEVER	LEVIER	HEBEL	PALANCA	LEVA		
30	B. CRZN00632	01	BRACKET	ENTRIER	BUGEL	GRAPA	STAFFA		
31	B. TNPU00014	01	PULLEY	POULIE	RIEMENSCHIEBE	POLEA	PULEGGIA		
32	B. VTSP00040	01	KEY	CLAVETTE	KEIL	CHAVETA	CHIAVETTA		
33	B. PLDS00016	01	CRANKCASE	CARTER	GEHAUSE	CARTER	CARTER		
34	B. CRVR00511	01	SUPPORT	SUPPORT	HALTER	SOPORTE	SUPPORTO		
35	B. VTAN00009	02	SEEGER	SEEGER	SEEGER	SEEGER	SEEGER		
36	B. CUSC00010	02	BEARING	ROULEMENT	LAGER	COJINETE	CUSCINETTO		
37	B. CRZN00631	01	BRACKET	ENTRIER	BUGEL	GRAPA	STAFFA		
38	B. CRVR00504	01	CRANKCASE	CARTER	GEHAUSE	CARTER	CARTER		
39	B. CRDS00519	01	PIN	PIVOT	SCHARNIER	PERNO	PERNO		
40	B. SPAZ00022	01	BRUSH	BROSSE	BUERSTE	CEPILLO	SPAZZOLA		
41	B. VTSP00042	01	KEY	CLAVETTE	KEIL	CHAVETA	CHIAVETTA		
42	B. CRZN00048	01	TRACTION FLANGE	BRIDE DE TRACT.	ZUGKRAFT-FLANS.	BRIDE DE TRACC.	TRASCINATORE		
43	B. MOLL00007	01	SPRING	RESSORT	FEDER	MUELLE	MOLLA		
44	B. CRZN00292	01	BRACKET	ENTRIER	BUGEL	GRAPA	STAFFA		
45	B. VTSP00080	01	CLAMP	BORNE	KLEMME	ABRAZADERA	MORSETTO		
46	B. VTAN00006	02	SEEGER	SEEGER	SEEGER	SEEGER	SEEGER		
47	B. CUSC00012	02	BEARING	ROULEMENT	LAGER	COJINETE	CUSCINETTO		
48	B. TNSP00056	01	BUSHING	DOUILLE	BUCHSE	MANGUITO	BOCCOLA		
49	B. TNSP00057	01	PIN	PIVOT	SCHARNIER	PERNO	PERNO		



REF	CODE	QTY	DESCRIPTION	DENOMINATION	BESCHREIBUNG	DESCRIPCION	DESCRIZIONE	TECNICAL FEATURES	PRICE LIST €
01	B. CRDS00636	01	CONVEYOR	CONVOYEUR	FORDERER	ENCAMINADOR	CONVOGLIATORE		
02	B. CPMT00006	01	MUFFLER	SILENCIEUX	ABBLASDÄMPFER	SILENCIADOR	MARMITTA	FOR HONDA GX160	
03	B. CRDS00635	01	HOSE	TUYAU	ROHR	TUBO	TUBO		
04	B. MOSC00003	01	MOTOR	MOTEUR	MOTOR	MOTOR	MOTORE	HONDA GX160	
05	B. CRDS00651	01	BRACKET	ENTRIER	BUGEL	GRAPA	STAFFA		
06	B. CRDS00659	01	BRACKET	ENTRIER	BUGEL	GRAPA	STAFFA		
07	B. CMMP00036	01	FAI-LEAD	PASSAGE P.CABLE	KABELDURCHGANG	PASACABLE	PASSACAVO		
08	B. PLDS00286	01	CONVEYOR	CONVOYEUR	FORDERER	ENCAMINADOR	CONVOGLIATORE		
09	B. RCVR00062	01	CAP	BOUCHON	VERSCHLUSS	TAPPO	TAPPO	1/8F	
10	B. RCVR00061	02	HOSE FITTING	RACC. P. TUYAU	SCHLAUCH HALTER	PORTAMANGUERA	PORTAGOMMA	1/8M	
11	B. MEVR00000	02	RING	ANNEAU	RING	ANILLO	FASCETTA		
12	B. TUFL01012	00	HOSE	TUYAU	ROHR	TUBO	TUBO		
13	B. RCVR00016	01	CONNECTOR	RACCORD	VERBIND. STUCK	RACORD	RACCORDO	1/4-1/8	
14	B. TNSP00085	01	CONNECTOR	RACCORD	VERBIND. STUCK	RACORD	RACCORDO		
15	B. CRVR00654	01	SUPPORT	SUPPORT	HALTER	SOPORTE	SUPPORTO		
16	B. CRVR00656	01	SUPPORT	SUPPORT	HALTER	SOPORTE	SUPPORTO		
17	B. CMSP00062	02	VIBRATION DAMP.	AMORTISATEUR	SCHVINGUNSDAMP.	ANTIVIBRANTE	ANTIVIBRANTE		
18	B. CMSP00030	02	VIBRATION DAMP.	AMORTISATEUR	SCHVINGUNSDAMP.	ANTIVIBRANTE	ANTIVIBRANTE		
19	B. VTSP00044	01	KEY	CLAVETTE	KEIL	CHAVETA	CHIAVETTA		
20	B. MOCC00017	01	MOTOR	MOTEUR	MOTOR	MOTOR	MOTORE		
21	B. VTSP00039	01	KEY	CLAVETTE	KEIL	CHAVETA	CHIAVETTA		
22	B. CRVR00655	01	SUPPORT	SUPPORT	HALTER	SOPORTE	SUPPORTO		
23	B. VTVT00278	04	SCREW	VIS	SCHRAUBE	TORNILLO	VITE	5/16 x 3/4	
24	B. CING00033	01	BELT	COURROIE	RIEMEN	CORREA	CINGHIA		
25	B. TNPU00025	01	PULLEY	POULIE	RIEMENSCHIEBE	POLEA	PULEGGIA		
26	B. TNPU00026	01	PULLEY	POULIE	RIEMENSCHIEBE	POLEA	PULEGGIA		
27	B. CING00036	01	BELT	COURROIE	RIEMEN	CORREA	CINGHIA		
28	B. VENT00001	01	FAN	HELICE	LUFTERRAD	TURBINA	VENTOLA		
29	B. TNSP00011	01	WASHER	RONDELLE	DICHTUNG	ARANDELLA	RONDELLA		
30	B. VTVT00279	01	SCREW	VIS	SCHRAUBE	TORNILLO	VITE	5/16 x 1"3/4	
31	B. CRVR00653	01	CONVEYOR	CONVOYEUR	FORDERER	ENCAMINADOR	CONVOGLIATORE		
32	B. CRAS00014	01	SCUTTLE	PORTE	SCHALTER	VENTANILLA	SPORTELLO		
33	B. TNPE00002	01	PIN	PIVOT	SCHARNIER	PERNO	PERNO		
34	B. CMMP00034	01	FAI-LEAD	PASSAGE P.CABLE	KABELDURCHGANG	PASACABLE	PASSACAVO		
35	B. MEIP00035	01	SWITCH	INTERRUPTEUR	SCHALTER	INTERRUPTOR	INTERRUTTORE		
36	B. CUSC00008	01	BEARING	ROULEMENT	LAGER	COJINETE	CUSCINETTO		
37	B. CRDS00637	01	SUPPORT	SUPPORT	HALTER	SOPORTE	SUPPORTO		
38	B. CMCV00025	01	SHEATH+CORD	GAINE+CORDE	MANTEL+SEIL	VAINA+CUERDA	GUAINA+CORDA		
39	B. CRDS00652	01	BRACKET	ENTRIER	BUGEL	GRAPA	STAFFA		
40	B. TNSP00084	01	CLAMP	BORNE	KLEMME	ABRAZADERA	MORSETTO		
41	B. MEVR00070	01	FUSE-HOLDER	PORTE-FUSIBLES	SICHERUNGHALTER	PORTASFUSIBLES	PORTAFUSIBILE		
42	B. MEVR00050	01	FUSE	FUSIBLE	ABSCHMEL.HERUNG	FUSIBLE	FUSIBILE		
43	B. MEVR00285	01	DIODE	DIODE	DIODE	DIDO	DIODO		
44	B. CRZN00023	01	DISSIPATOR	DISSIPATEUR	KÜHLKÖRPER	DISIPADOR	DISSIPATORE		
45	B. MEVR00025	01	INSULATOR	ISOLATEUR	ISOLIERUNG	ISLADOR	ISOLATORE		
46	B. MEVR00075	01	FUSE-HOLDER	PORTE-FUSIBLES	SICHERUNGHALTER	PORTASFUSIBLES	PORTAFUSIBILE		
47	B. MEVR00103	02	FUSE	FUSIBLE	ABSCHMEL.HERUNG	FUSIBLE	FUSIBILE		
48	B. MEVR00068	02	FUSE	FUSIBLE	ABSCHMEL.HERUNG	FUSIBLE	FUSIBILE		
49	B. CRDS00648	03	SUPPORT	SUPPORT	HALTER	SOPORTE	SUPPORTO		

01/10/2007

GR. COM. DUSTY 1100 STH

EXPLODED VIEW

TABLE N° EXPL00080

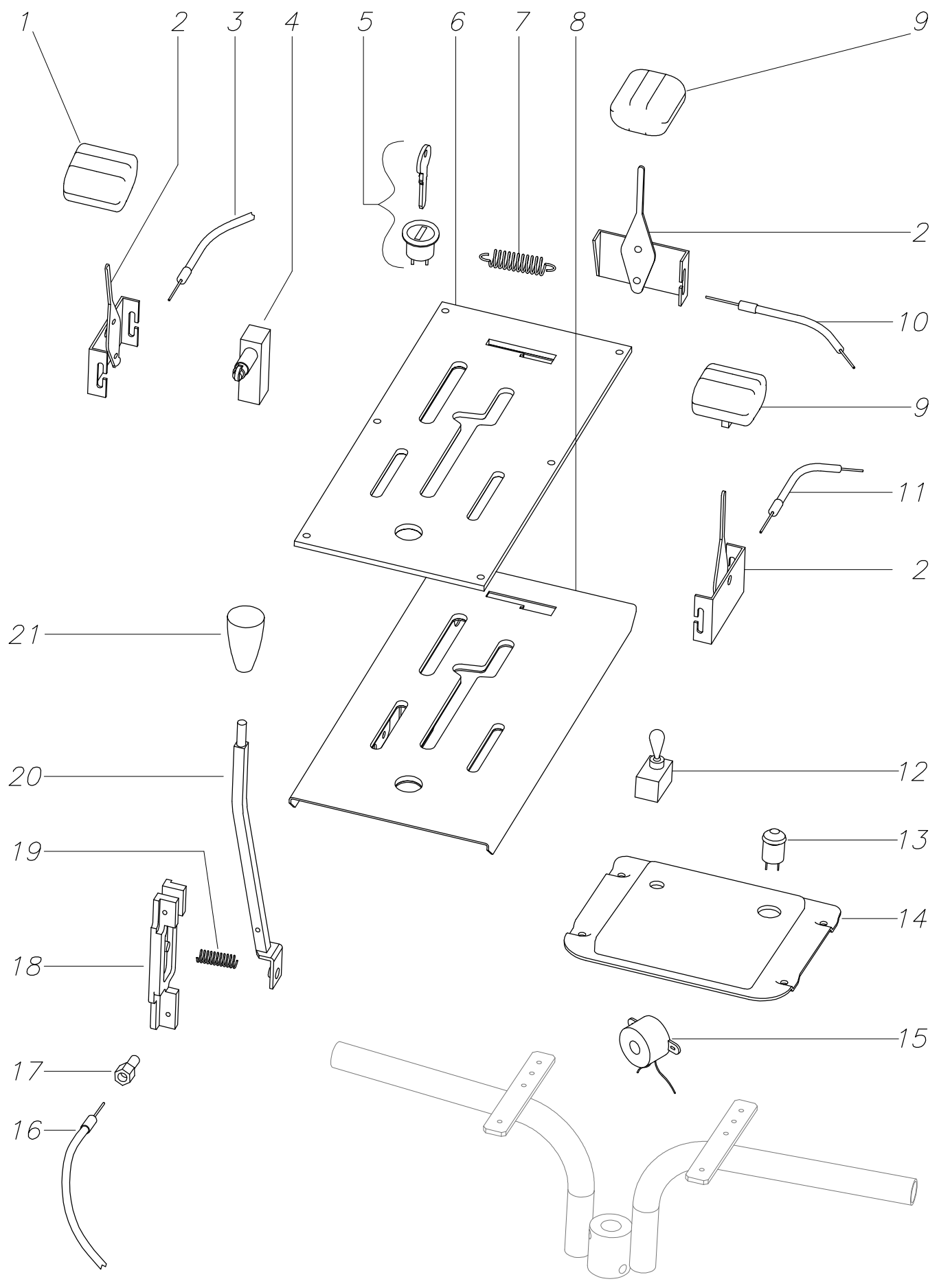


TABLE N° EXPL00080

SPARE PARTS LIST

GR.COM. DUSTY 1100 STH 09/07

01/10/2007

REF	CODE	QTY	DESCRIPTION	DENOMINATION	BESCHREIBUNG	DESCRIPCION	DESCRIZIONE	TECNICAL FEATURES	PRICE LIST €
01	B. CMSP00065	01	KNOB	POIGNEE	KNAUP	POMULO	POMELLO		
02	B. CMSP00063	03	LEVER	LEVIER	HEBEL	PALANCA	LEVA		
03	B. CMCV00024	01	SHEATH+CORD	GAIN+CORDE	MANTEL+SEIL	VAINA+CUERDA	GUAINA+CORDA		
04	B. MEIP00035	01	SWITCH	INTERRUPTEUR	SCHALTER	INTERRUPTOR	INTERRUTTORE		
05	B. MEIP00030	01	STARTER	DEMARR. INTER.	ANLASSER	INT. ARRANQUE	AVVIAMENTO		
06	B. PLDS00287	01	INSTRUM. PANEL	TAB. DE BORD	ARM. BRETT	CRUSCOTTO	CRUSCOTTO		
07	B. MOLL00008	01	SPRING	RESSORT	FEDER	MUELLE	MOLLA		
08	B. CRVR00669	01	SUPPORT	SUPPORT	HALTER	SOPORTE	SUPPORTO		
09	B. CMSP00064	02	KNOB	POIGNEE	KNAUP	POMULO	POMELLO		
10	B. CMCV00025	01	SHEATH+CORD	GAIN+CORDE	MANTEL+SEIL	VAINA+CUERDA	GUAINA+CORDA		
11	B. CMCV00023	01	SHEATH+CORD	GAIN+CORDE	MANTEL+SEIL	VAINA+CUERDA	GUAINA+CORDA		
12	B. MEIP00009	01	SWITCH	INTERRUPTEUR	SCHALTER	INTERRUPTOR	INTERRUTTORE		
13	B. MEIP00024	01	PUSH-SWITCH	POUSSER INTERR.	SCHALTER BETÄT.	INTERR. A BOTON	PULSANTE		
14	B. PLDS00159	01	INSTRUM. PANEL	TAB. DE BORD	ARM. BRETT	CRUSCOTTO	CRUSCOTTO		
15	B. MECB00245	01	BUZZER	VIBREUR	SUMMER	ZUMBADOR	CICALINO		
16	B. CMCV00006	01	SHEATH+CORD	GAIN+CORDE	MANTEL+SEIL	VAINA+CUERDA	GUAINA+CORDA		
17	B. VTSP00065	01	REGISTER	REGLER	KLAPPE	REGISTRO	REGISTRO		
18	B. TNLV00001	01	SUPPORT	SUPPORT	HALTER	SOPORTE	SUPPORTO		
19	B. MOLL00038	01	SPRING	RESSORT	FEDER	MUELLE	MOLLA		
20	B. CRVR00671	01	LEVER	LEVIER	HEBEL	PALANCA	LEVA		
21	B. CMMP00126	01	KNOB	POIGNEE	KNAUP	POMULO	POMELLO		

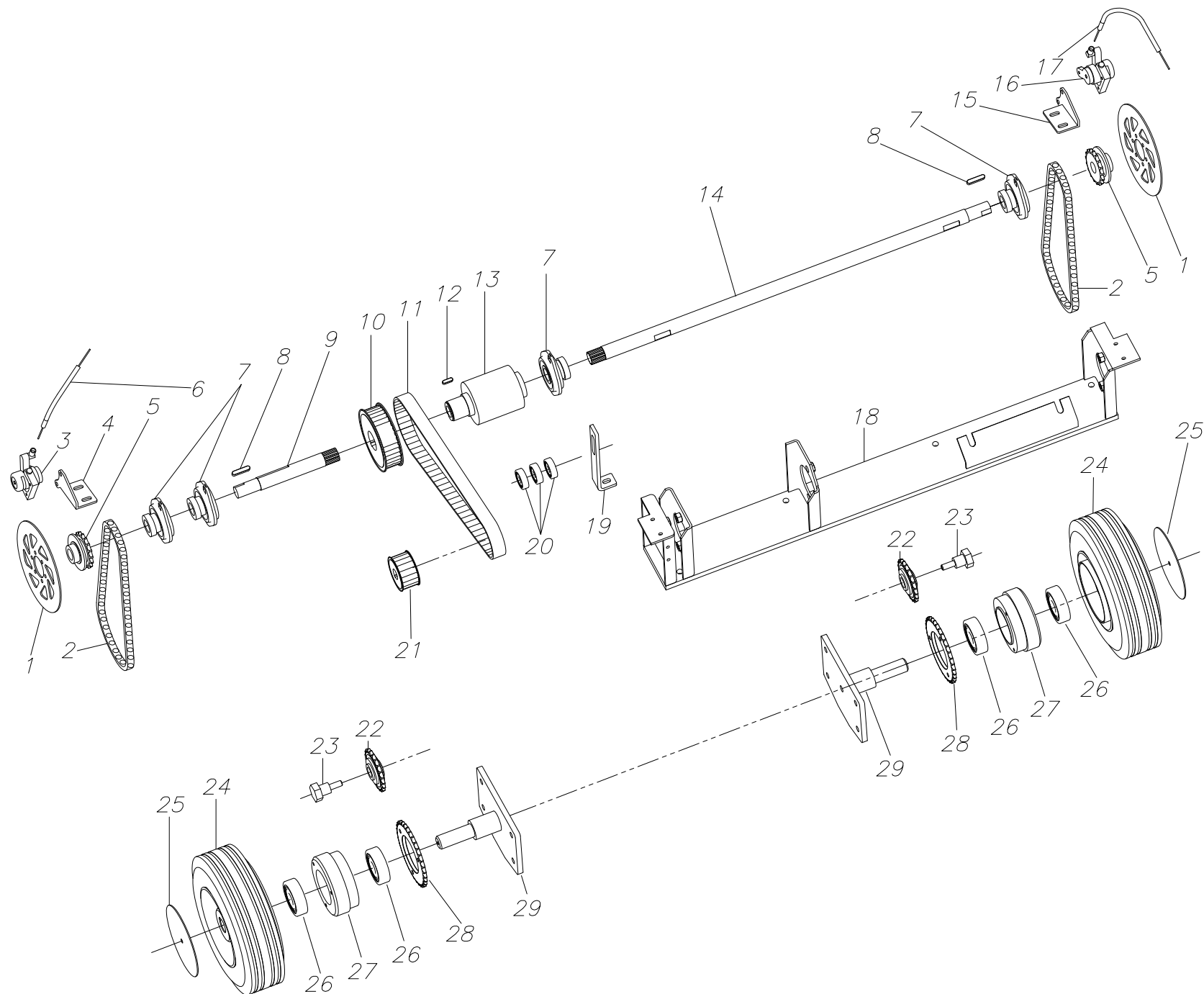


TABLE N° EXPL00073

SPARE PARTS LIST

GR.RU.DIFF.DUSTY1100STH 09/7

22/04/2016

REF	CODE	QTY	DESCRIPTION	DENOMINATION	BESCHREIBUNG	DESCRIPCION	DESCRIZIONE	TECNICAL FEATURES
01	B. CMSP00076	02	DISK	DISQUE	SCHEIBE	DISCO	DISCO	
02	B. CMSP00058	02	CHAIN	CHAÎNE	KETTE	CADENA	CATENA	
03	B. CMSP00074	01	BRAKE	FREIN	BREMSE	FRENO	FRENO	
04	B. CRZN00633	01	SUPPORT	SUPPORT	HALTER	SOPORTE	SUPPORTO	DX
05	B. CRZN00635	02	CROWN WHEEL	COURONNE	KRONRAD	RUEDA DE CORONA	CORONA	
06	B. CMCV00028	01	SHEATH+CORD	GAINÉ+CORDE	MANTEL+SEIL	VAINA+CUERDA	GUAINA+CORDA	
07	B. CUSC00025	04	BEARING	ROULEMENT	LAGER	COJINETE	CUSCINETTO	
08	B. VTSP00094	02	KEY	CLAVETTE	KEIL	CHAVETA	CHIAVETTA	
09	B. TNAL00014	01	AXLE SHAFT	AXE	WELLE	EJE	SEMIASSE	
10	B. TNPU00030	01	PULLEY	POULIE	RIEMENSCHLEIBE	POLEA	PULEGGIA	
11	B. CING00034	01	BELT	COURROIE	RIEMEN	CORREA	CINGHIA	
12	B. VTSP00090	01	KEY	CLAVETTE	KEIL	CHAVETA	CHIAVETTA	
13	B. CMSP00050	01	DIFFERENTIAL	DIFFÉRENTIEL	DIFFERENTIAL	DIFERENCIAL	DIFFERENZIALE	
14	B. TNAL00015	01	AXLE SHAFT	AXE	WELLE	EJE	SEMIASSE	
15	B. CRZN00634	01	SUPPORT	SUPPORT	HALTER	SOPORTE	SUPPORTO	SX
16	B. CMSP00075	01	BRAKE	FREIN	BREMSE	FRENO	FRENO	
17	B. CMCV00029	01	SHEATH+CORD	GAINÉ+CORDE	MANTEL+SEIL	VAINA+CUERDA	GUAINA+CORDA	
18	B. CRVR00658	01	SUPPORT	SUPPORT	HALTER	SOPORTE	SUPPORTO	
19	B. CRDS00642	01	BRACKET	ENTRIER	BUGEL	GRAPA	STAFFA	
20	B. CUSC00012	03	BEARING	ROULEMENT	LAGER	COJINETE	CUSCINETTO	
21	B. TNPU00029	01	PULLEY	POULIE	RIEMENSCHLEIBE	POLEA	PULEGGIA	
22	B. CMSP00057	02	TURNBUCKLE	TOURILLON	SPANNSCHLOSS	TORNIQUETE	TENDITORE	
23	B. TNPE00047	03	PIN	PIVOT	SCHARNIER	PERNO	PERNO	
24	B. RUOT00000	02	WHEEL	ROUE	LAUFRAD	RUEDA	RUOTA	
25	B. CRDS00658	02	WHEEL COVER	COUVRE TOURNE	VERLANGERUNG	EMBELLECEDOR	COPRIRUOTA	
26	B. CUSC00011	02	BEARING	ROULEMENT	LAGER	COJINETE	CUSCINETTO	
27	B. TNBD00062	02	HUB	MOYEAU	NABE	CUBO	MOZZO	
28	B. CMSP00068	04	CROWN WHEEL	COURONNE	KRONRAD	RUEDA DE CORONA	CORONA	
29	B. CRDS00647	02	SHAFT	ARBRE	KURBELVELLE	CIUENAL	ALBERO	

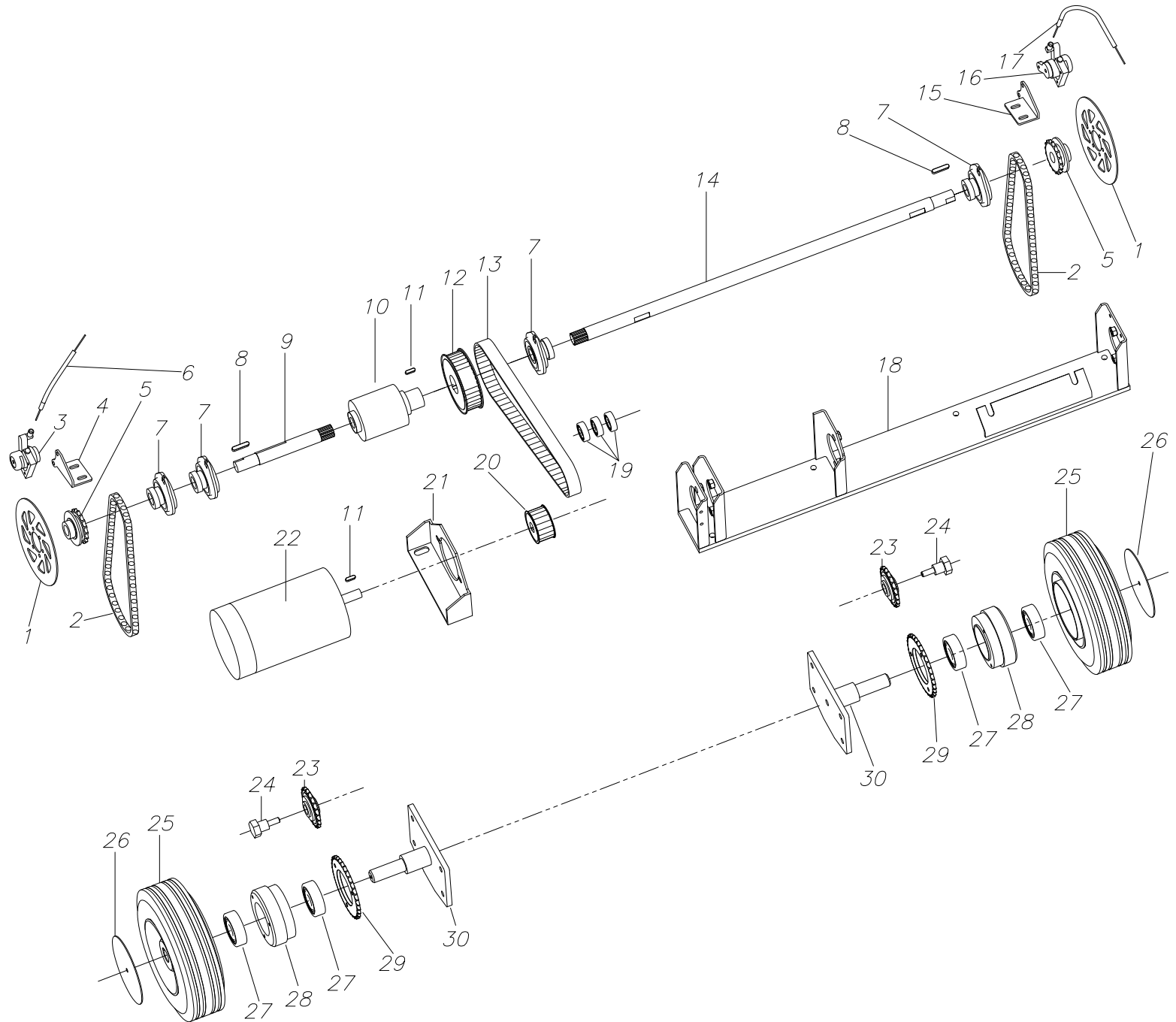


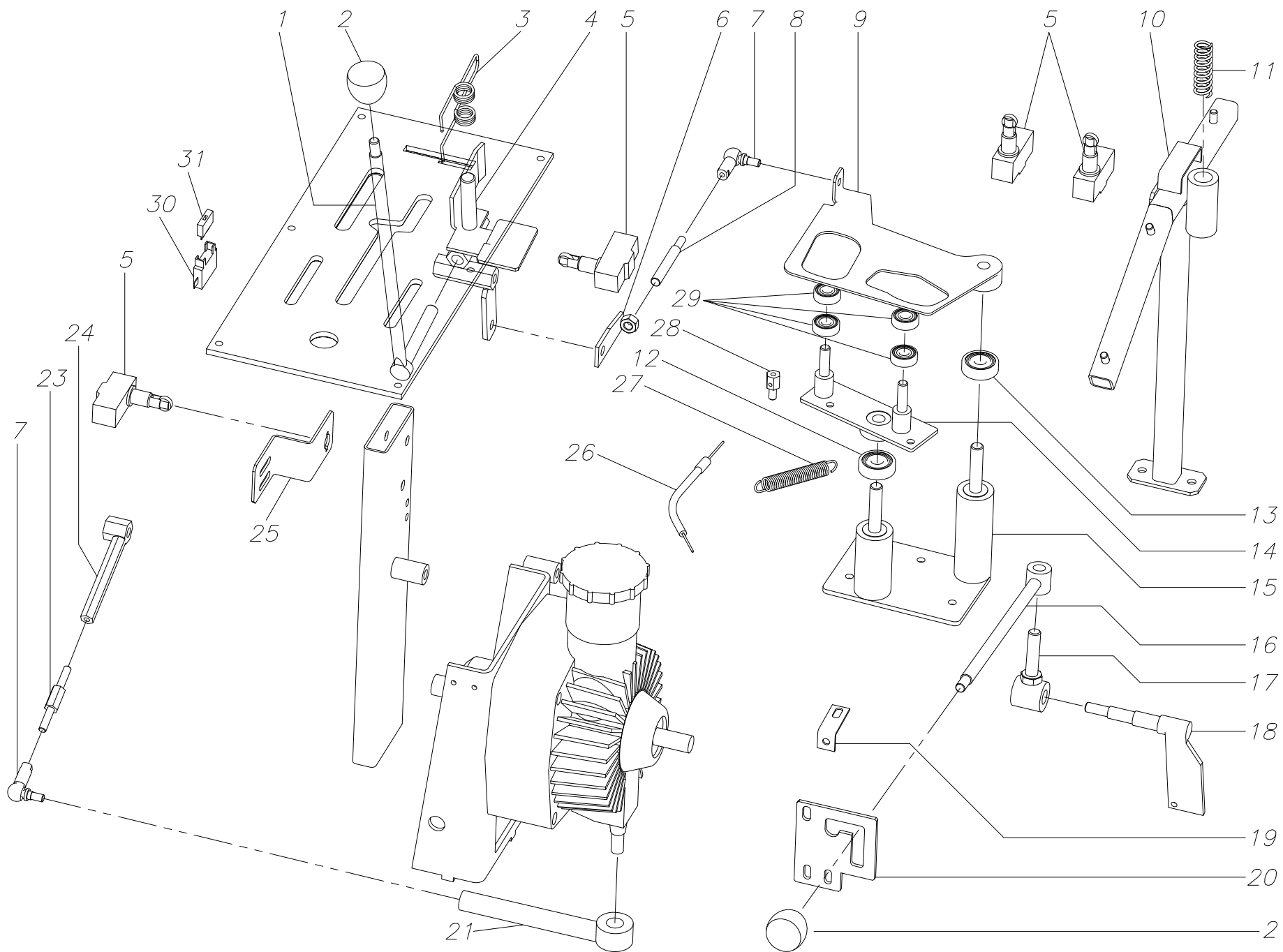
TABLE N° EXPL00079

SPARE PARTS LIST

GR.RU.DIFF.DUSTY1100 ET 09/07

08/08/2008

REF	CODE	QTY	DESCRIPTION	DENOMINATION	BESCHREIBUNG	DESCRIPCION	DESCRIZIONE	TECNICAL FEATURES	PRICE LIST €
01	B. CMSP00076	02	DISK	DISQUE	SCHEIBE	DISCO	DISCO		
02	B. CMSP00058	02	CHAIN	CHAÎNE	KETTE	CADENA	CATENA		
03	B. CMSP00074	01	BRAKE	FREIN	BREMSE	FRENO	FRENO		
04	B. CRZN00633	01	SUPPORT	SUPPORT	HALTER	SOPORTE	SUPPORTO	DX	
05	B. CRZN00635	02	CROWN WHEEL	COURONNE	KRONRAD	RUEDA DE CORONA	CORONA		
06	B. CMCV00028	01	SHEATH+CORD	GAINÉ+CORDE	MANTEL+SEIL	VAINA+CUERDA	GUAINA+CORDA		
07	B. CUSC00025	04	BEARING	ROULEMENT	LAGER	COJINETE	CUSCINETTO		
08	B. VTSP00094	02	KEY	CLAVETTE	KEIL	CHAVETA	CHIAVETTA		
09	B. TNAL00014	01	AXLE SHAFT	AXE	WELLE	EJE	SEMIASSE		
10	B. CMSP00050	01	DIFFERENTIAL	DIFFÉRENTIEL	DIFFERENTIAL	DIFERENCIAL	DIFFERENZIALE		
11	B. VTSP00090	02	KEY	CLAVETTE	KEIL	CHAVETA	CHIAVETTA		
12	B. TNPU00038	01	PULLEY	POULIE	RIEMENSCHLEIBE	POLEA	PULEGGIA		
13	B. CING00016	01	BELT	COURROIE	RIEMEN	CORREA	CINGHIA		
14	B. TNAL00015	01	AXLE SHAFT	AXE	WELLE	EJE	SEMIASSE		
15	B. CRZN00634	01	SUPPORT	SUPPORT	HALTER	SOPORTE	SUPPORTO		
16	B. CMSP00075	01	BRAKE	FREIN	BREMSE	FRENO	FRENO		
17	B. CMCV00029	01	SHEATH+CORD	GAINÉ+CORDE	MANTEL+SEIL	VAINA+CUERDA	GUAINA+CORDA		
18	B. CRVR00658	01	SUPPORT	SUPPORT	HALTER	SOPORTE	SUPPORTO		
19	B. CUSC00004	03	BEARING	ROULEMENT	LAGER	COJINETE	CUSCINETTO		
20	B. TNPU00037	01	PULLEY	POULIE	RIEMENSCHLEIBE	POLEA	PULEGGIA		
21	B. CRVR00029	01	SUPPORT	SUPPORT	HALTER	SOPORTE	SUPPORTO		
22	B. MOCC00005	01	MOTOR	MOTEUR	MOTOR	MOTOR	MOTORE		
23	B. CMSP00057	02	TURNBUCKLE	TOURILLON	SPANNSCHLOSS	TORNQUETE	TENDITORE		
24	B. TNPE00047	02	PIN	PIVOT	SCHARNIER	PERNO	PERNO		
25	B. RUOT00000	02	WHEEL	ROUE	LAUFRAD	RUEDA	RUOTA		
26	B. CRDS00658	02	WHEEL COVER	COUVRE TOURNE	VERLANGERUNG	EMBELLECEDOR	COPRIRUOTA		
27	B. CUSC00011	04	BEARING	ROULEMENT	LAGER	COJINETE	CUSCINETTO		
28	B. TNBD00062	02	HUB	MOYEAU	NABE	CUBO	MOZZO		
29	B. CMSP00068	02	CROWN WHEEL	COURONNE	KRONRAD	RUEDA DE CORONA	CORONA		
30	B. CRDS00647	02	SHAFT	ARBRE	KURBELVELLE	CIJENAL	ALBERO		



REF	CODE	QTY	DESCRIPTION	DENOMINATION	BESCHREIBUNG	DESCRIPCION	DESCRIZIONE	TECNICAL FEATURES	PRICE LIST €
01	B. CRVR00666	01	LEVER	LEVIER	HEBEL	PALANCA	LEVA		
02	B. CMMP00126	01	KNOB	POIGNEE	KNAUP	POMULO	POMELLO		
03	B. MOLL00009	01	SPRING	RESSORT	FEDER	MUELLE	MOLLA		
04	B. CRVR00667	01	BALANCER	BALANCIER	BUGEL	BALANCEADOR	BILANCIERE		
05	B. MEIP00035	04	SWITCH	INTERRUPTEUR	SCHALTER	INTERRUPTOR	INTERRUPTORE		
06	B. CRDS00646	01	BRACKET	ENTRIER	BUGEL	GRAPA	STAFFA		
07	B. CMSP00061	02	PIN JOINT	GOUPILLE JOINT	STIFT VERBIND.	PERNO EMPALME	SNODO		
08	B. TNPE00048	01	TIE ROD	TIRANT	ZUGSTANGE	TIRANTE	TIRANTE		
09	B. CRDS00645	01	PLATE	PLAQUE	PLATTE	SOPORTE	PIASTRA		
10	B. CRVR00663	01	STEERING COLUMN	COLONNE DE DIR.	STEUERUNG	COLUMNA DE DIR.	PIANTONE		
11	B. MOLL00027	01	SPRING	RESSORT	FEDER	MUELLE	MOLLA		
13	B. CUSC00008	02	BEARING	ROULEMENT	LAGER	COJINETE	CUSCINETTO		
14	B. CRDS00644	01	PLATE	PLAQUE	PLATTE	SOPORTE	PIASTRA		
15	B. CRDS00643	01	PLATE	PLAQUE	PLATTE	SOPORTE	PIASTRA		
16	B. CRDS00639	01	LEVER	LEVIER	HEBEL	PALANCA	LEVA		
17	B. CRDS00640	01	BUSHING	DOUILLE	BUCHSE	MANGUITO	BOCCOLA		
18	B. CRDS00641	01	PIN	PIVOT	SCHARNIER	PERNO	PERNO		
19	B. CRZN00000	01	BRACKET	ENTRIER	BUGEL	GRAPA	STAFFA		
20	B. CRDS00638	01	PLATE	PLAQUE	PLATTE	SOPORTE	PIASTRA		
21	B. TNSP00012	01	LEVER	LEVIER	HEBEL	PALANCA	LEVA		
23	B. TNPE00048	01	TIE ROD	TIRANT	ZUGSTANGE	TIRANTE	TIRANTE		
24	B. TNPE00045	01	TIE ROD	TIRANT	ZUGSTANGE	TIRANTE	TIRANTE		
26	B. CMCV00022	01	SHEATH+CORD	GAINÉ+CORDE	MANTEL+SEIL	VAINA+CUERDA	GUAINA+CORDA		
27	B. MOLL00013	01	SPRING	RESSORT	FEDER	MUELLE	MOLLA		
28	B. TNSP00084	01	CLAMP	BORNE	KLEMME	ABRAZADERA	MORSETTO		
29	B. CUSC00012	04	BEARING	ROULEMENT	LAGER	COJINETE	CUSCINETTO		
30	B. MEVR00033	01	FUSE-HOLDER	PORTE-FUSIBLES	SICHERUNGHALTER	PORTASFUSIBLES	PORTAFUSIBILE		
31	B. MEVR00020	01	FUSE	FUSIBLE	ABSCHMEL.HERUNG	FUSIBLE	FUSIBILE	40A	

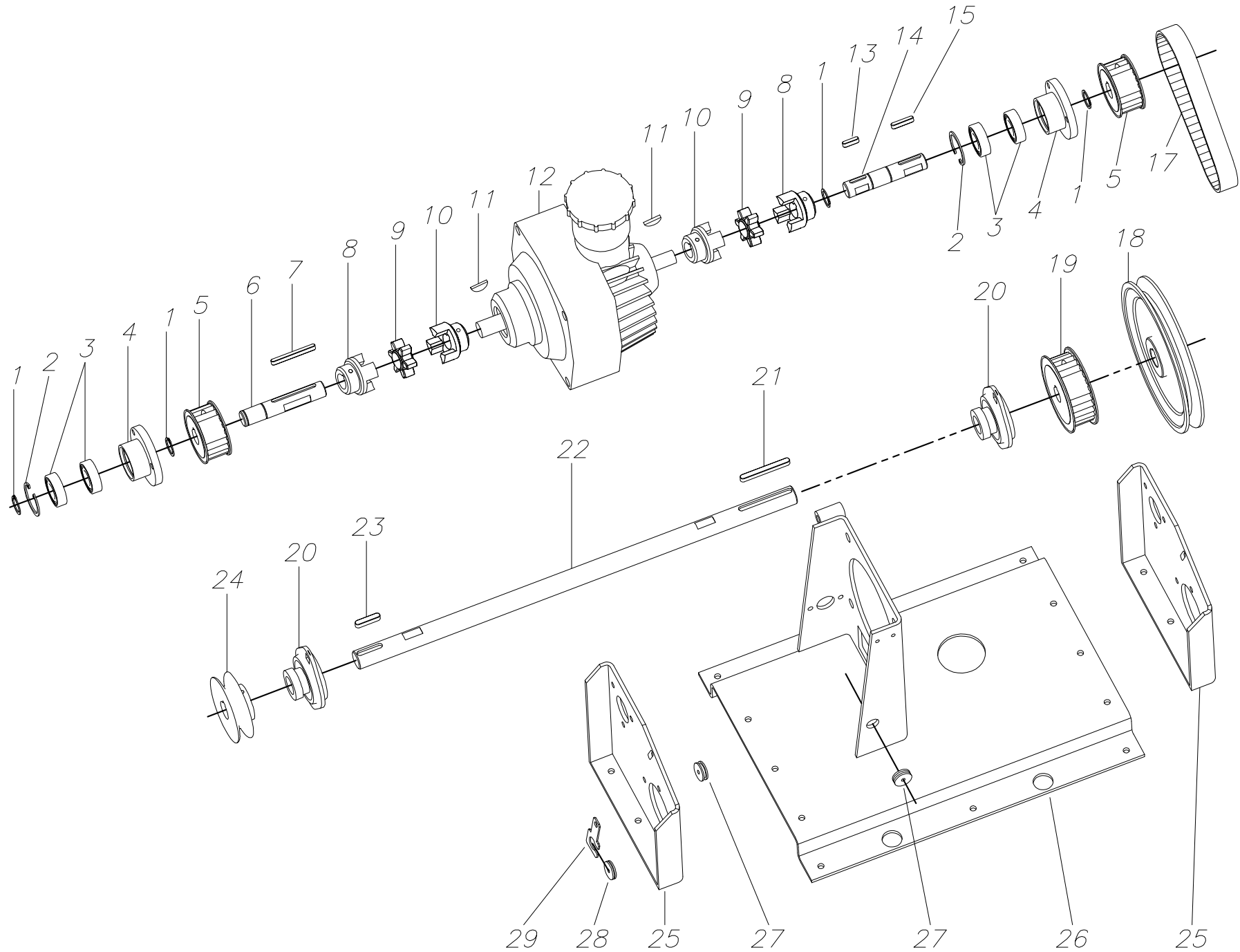


TABLE N° EXPL00075

SPARE PARTS LIST

GR.TRASM. DUSTY 1100 STH 09/07

22/04/2016

REF	CODE	QTY	DESCRIPTION	DENOMINATION	BESCHREIBUNG	DESCRIPCION	DESCRIZIONE	TECNICAL FEATURES
01	B. VTAN00003	04	SEEGER	SEEGER	SEEGER	SEEGER	SEEGER	
02	B. VTAN00009	02	SEEGER	SEEGER	SEEGER	SEEGER	SEEGER	
03	B. CUSC00019	04	BEARING	ROULEMENT	LAGER	COJINETE	CUSCINETTO	
04	B. TNSP00082	02	SUPPORT	SUPPORT	HALTER	SOPORTE	SUPPORTO	
05	B. TNPU00029	02	PULLEY	POULIE	RIEMENSCHLEIBE	POLEA	PULEGGIA	
06	B. TNAL00018	01	SHAFT	ARBRE	KURBELVELLE	CIUENAL	ALBERO	
07	B. VTSP00096	01	KEY	CLAVETTE	KEIL	CHAVETA	CHIAVETTA	
08	B. CMSP00054	02	FLEX. COUPLING	ACCOUPLLEMENT FL	FLEX. KOPPELUNG	ACOPLADOR FLEX.	GIUNTO	
09	B. CMSP00056	02	INSERT	INSERT	EINSATZ	INSERTO	INSERTO	
10	B. CMSP00053	02	FLEX. COUPLING	ACCOUPLLEMENT FL	FLEX. KOPPELUNG	ACOPLADOR FLEX.	GIUNTO	
11	B. VTSP00098	02	KEY	CLAVETTE	KEIL	CHAVETA	CHIAVETTA	
12	B. TRID01001	01	DRIVE TRANSMIS.	TRANSMISSION	GETRIEBE	TRANSMISIÓN	TRASMISSIONE	
13	B. VTSP00040	01	KEY	CLAVETTE	KEIL	CHAVETA	CHIAVETTA	
14	B. TNAL00017	01	SHAFT	ARBRE	KURBELVELLE	CIUENAL	ALBERO	
15	B. VTSP00042	01	KEY	CLAVETTE	KEIL	CHAVETA	CHIAVETTA	
17	B. CING00032	01	BELT	COURROIE	RIEMEN	CORREA	CINGHIA	
18	B. TNPU00031	01	PULLEY	POULIE	RIEMENSCHLEIBE	POLEA	PULEGGIA	
19	B. TNPU00028	01	PULLEY	POULIE	RIEMENSCHLEIBE	POLEA	PULEGGIA	
20	B. CUSC00025	02	BEARING	ROULEMENT	LAGER	COJINETE	CUSCINETTO	
21	B. VTSP00091	01	KEY	CLAVETTE	KEIL	CHAVETA	CHIAVETTA	
22	B. TNAL00016	01	SHAFT	ARBRE	KURBELVELLE	CIUENAL	ALBERO	
23	B. VTSP00094	01	KEY	CLAVETTE	KEIL	CHAVETA	CHIAVETTA	
24	B. TNPU00032	02	PULLEY	POULIE	RIEMENSCHLEIBE	POLEA	PULEGGIA	
25	B. CRVR00661	01	SUPPORT	SUPPORT	HALTER	SOPORTE	SUPPORTO	
26	B. CRVR00660	01	PLATE	PLAQUE	PLATTE	SOPORTE	PIASTRA	
27	B. CMMP00034	02	FAI-LEAD	PASSAGE P.CABLE	KABELDURCHGANG	PASACABLE	PASSACAVO	
28	B. CMMP00036	01	FAI-LEAD	PASSAGE P.CABLE	KABELDURCHGANG	PASACABLE	PASSACAVO	
29	B. CRDS00659	01	BRACKET	ENTRIER	BUGEL	GRAPA	STAFFA	

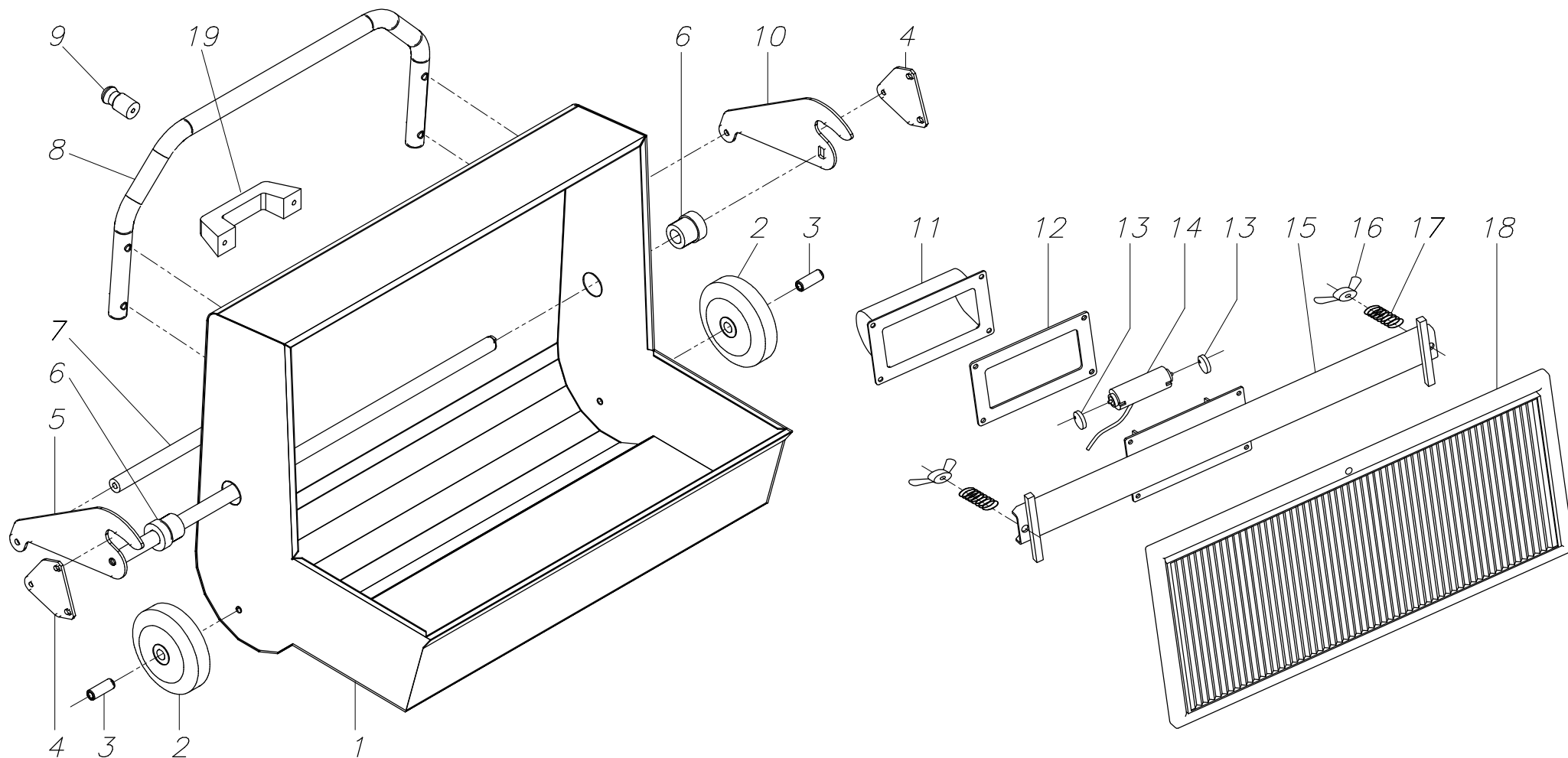


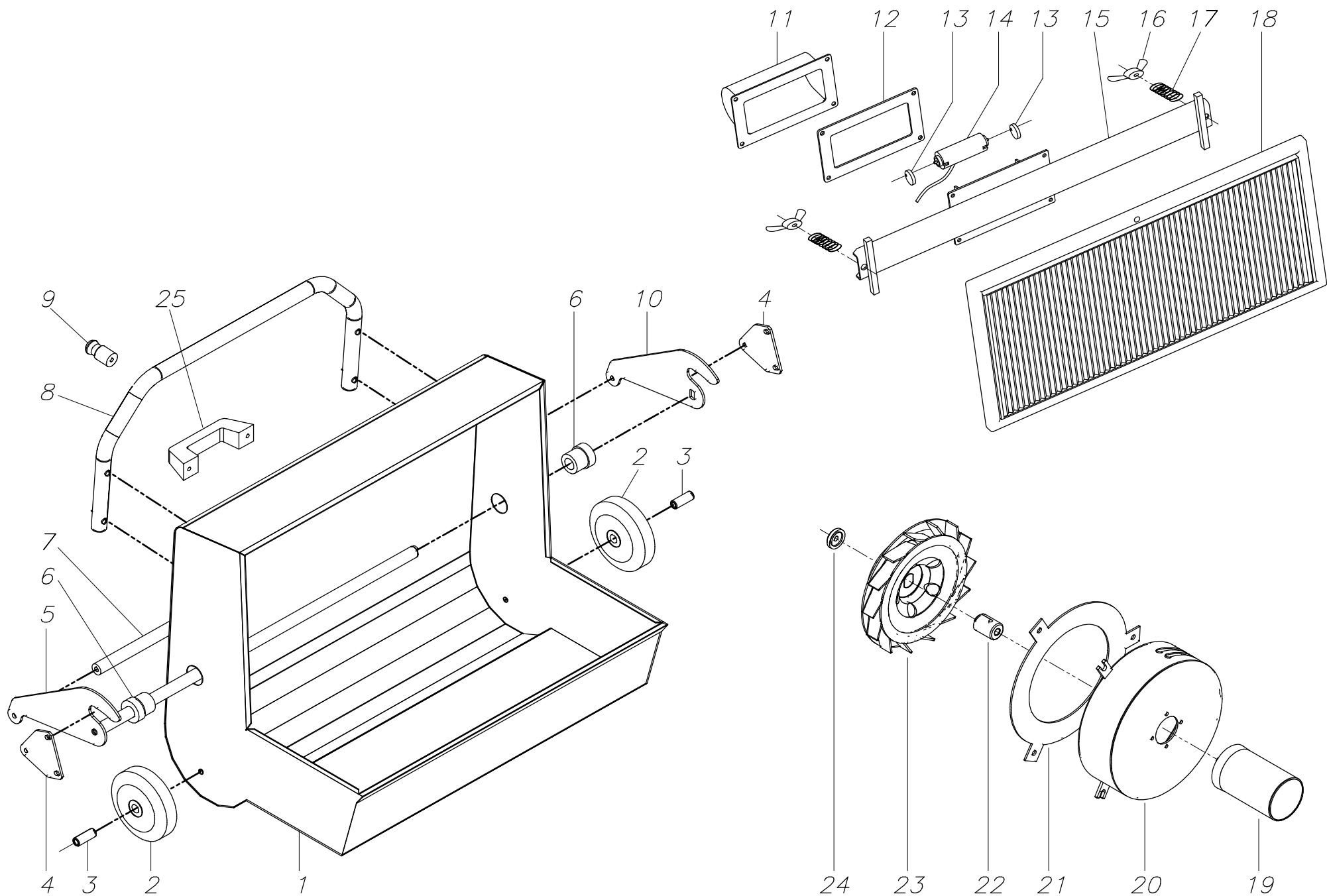
TABLE N° EXPL00033

SPARE PARTS LIST

GR. CASS. FILT. DUSTY 1100 STH

01/10/2007

REF	CODE	QTY	DESCRIPTION	DENOMINATION	BESCHREIBUNG	DESCRIPCION	DESCRIZIONE	TECNICAL FEATURES	PRICE LIST €
01	B. CRVR00650	01	DRAWER	TIROIR	SCHIEBERKASTEN	CAJON	CASSETTO		
02	B. RUOT00003	02	WHEEL	ROUE	LAUFRAD	RUEDA	RUOTA		
03	B. TNBD00057	02	BUSHING	DOUILLE	BUCHSE	MANGUITO	BOCCOLA		
04	B. CRVR00529	02	BRACKET	ENTRIER	BUGEL	GRAPA	STAFFA		
05	B. CRZN00507	01	SHAFT	ARBRE	KURBELVELLE	CIUENAL	ALBERO		
06	B. TNSP00060	02	BUSHING	DOUILLE	BUCHSE	MANGUITO	BOCCOLA		
07	B. TNVR00059	01	HANDLE	POGNEE	GRIFF	TIRADOR	MANIGLIA		
08	B. CRVR00509	01	HANDLE	POIGNEE	SCHAKEL	MANILLAR	MANIGLIONE		
09	B. TNSP00078	01	KNOB	POIGNEE	KNAUP	POMULO	POMELLO		
10	B. CRZN00506	01	ECCENTRIC CAM	CAME EXCENTR.	EXZEN. NOCKEN	LEVA EXCÉNTR.	ECCENTRICO		
11	B. PLDS00092	01	CRANKCASE	CARTER	GEHAUSE	CARTER	CARTER		
12	B. GUAR00098	01	GASKET	GARNITURE	DICHTUNG	GUARNICION	GUARNIZIONE		
13	B. TNSP00003	02	ECCENTRIC CAM	CAME EXCENTR.	EXZEN. NOCKEN	LEVA EXCÉNTR.	ECCENTRICO		
14	B. MOCC00001	01	MOTOR	MOTEUR	MOTOR	MOTOR	MOTORE		
15	B. CRVR00251	01	BRACKET	ENTRIER	BUGEL	GRAPA	STAFFA		
16	B. VTSP00028	02	WING NUT	ELROU A AILETT.	FLUGELMUTTER	CHAVETA	GALLETTO		
17	B. MOLL00036	02	SPRING	RESSORT	FEDER	MUELLE	MOLLA		
18	B. FILT00010	01	FILTER	FILTRE	FILTER	FILTRO	FILTRO		
19	C10203	01	HANDLE	POGNEE	GRIFF	TIRADOR	MANIGLIA		



REF	CODE	QTY	DESCRIPTION	DENOMINATION	BESCHREIBUNG	DESCRIPCION	DESCRIZIONE	TECNICAL FEATURES	PRICE LIST €
01	B. CRVR00650	01	DRAWER	TIROIR	SCHIEBERKASTEN	CAJON	CASSETTO		
02	B. RUOT00003	02	WHEEL	ROUE	LAUFRAD	RUEDA	RUOTA		
03	B. TNBD00057	02	BUSHING	DOUILLE	BUCHSE	MANGUITO	BOCCOLA		
04	B. CRVR00529	02	BRACKET	ENTRIER	BUGEL	GRAPA	STAFFA		
05	B. CRZN00507	01	SHAFT	ARBRE	KURBELVELLE	CIUENAL	ALBERO		
06	B. TNSP00060	02	BUSHING	DOUILLE	BUCHSE	MANGUITO	BOCCOLA		
07	B. TNVR00059	01	HANDLE	POGNEE	GRIFF	TIRADOR	MANIGLIA		
08	B. CRVR00509	01	HANDLE	POGNEE	GRIFF	TIRADOR	MANIGLIA		
09	B. TNSP00078	01	KNOB	POIGNEE	KNAUP	POMULO	POMELLO		
10	B. CRZN00506	01	BRACKET	ENTRIER	BUGEL	GRAPA	STAFFA		
11	B. PLDS00092	01	CRANKCASE	CARTER	GEHAUSE	CARTER	CARTER		
12	B. GUAR00098	01	GASKET	GARNITURE	DICHTUNG	GUARNICION	GUARNIZIONE		
13	B. TNSP00003	02	ECCENTRIC CAM	CAME EXCENTR.	EXZEN. NOCKEN	LEVA EXCÉTR.	ECCENTRICO		
14	B. MOCC00003	01	MOTOR	MOTEUR	MOTOR	MOTOR	MOTORE		
15	B. CRVR00251	01	BRACKET	ENTRIER	BUGEL	GRAPA	STAFFA		
16	B. VTSP00028	02	WING NUT	ELROU A AILETT.	FLUGELMUTTER	CHAVETA	GALLETTO		
17	B. MOLL00036	02	SPRING	RESSORT	FEDER	MUELLE	MOLLA		
18	B. FILT00010	01	FILTER	FILTRE	FILTER	FILTRO	FILTRO		
19	B. MOCC00002	01	MOTOR	MOTEUR	MOTOR	MOTOR	MOTORE		
20	B. CRVR00002	01	CRANKCASE	CARTER	GEHAUSE	CARTER	CARTER		
21	B. GUAR00030	01	GASKET	GARNITURE	DICHTUNG	GUARNICION	GUARNIZIONE		
22	B. CRDS00350	01	TRACTION FLANGE	BRIDE DE TRACT.	ZUGKRAFT-FLANS.	BRIDE DE TRACC.	TRASCINATORE		
23	B. VENT00001	01	FAN	HELICE	LUFERRAD	TURBINA	VENTOLA		
24	B. TNSP00011	01	WASHER	RONDELLE	DICHTUNG	ARANDELLA	RONDELLA		
25	C10203	01	HANDLE	POGNEE	GRIFF	TIRADOR	MANIGLIA		

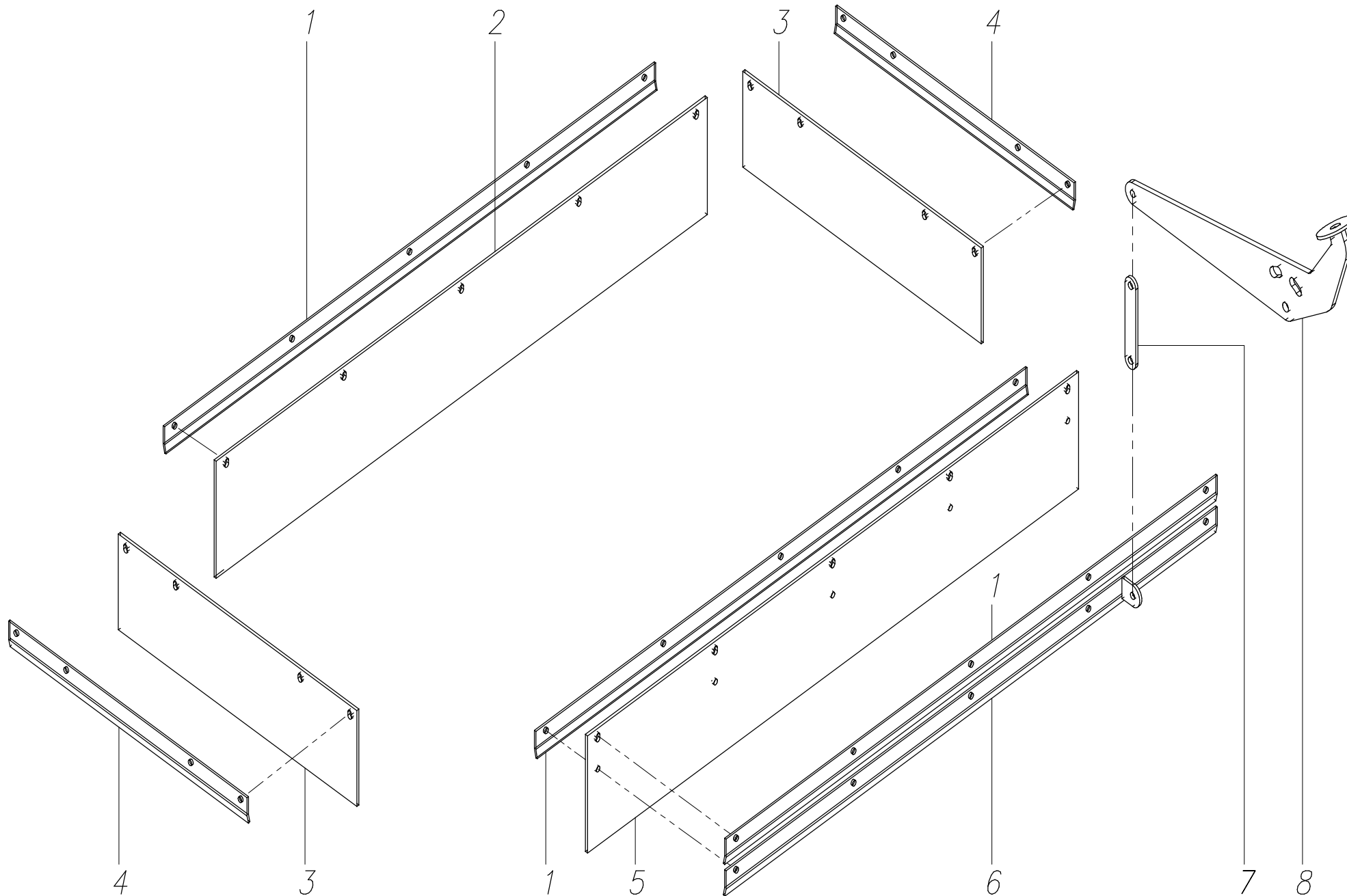


TABLE N° EXPL00034

SPARE PARTS LIST

GR. FLAP DUSTY 1100 ET-STH

01/10/2007

REF	CODE	QTY	DESCRIPTION	DENOMINATION	BESCHREIBUNG	DESCRIPCION	DESCRIZIONE	TECNICAL FEATURES	PRICE LIST €
01	B. CRVR00194	03	SUPPORT	SUPPORT	HALTER	SOPORTE	SUPPORTO		
02	B. GUAR00079	01	FLAP	FLAP	FLAP	FLAP	FLAP		
03	B. GUAR00014	02	FLAP	FLAP	FLAP	FLAP	FLAP		
04	B. CRVR00192	02	SUPPORT	SUPPORT	HALTER	SOPORTE	SUPPORTO		
05	B. GUAR00009	01	FLAP	FLAP	FLAP	FLAP	FLAP		
06	B. CRVR00193	01	SUPPORT	SUPPORT	HALTER	SOPORTE	SUPPORTO		
07	B. CRVR00534	01	BRACKET	ENTRIER	BUGEL	GRAPA	STAFFA		
08	B. CRZN00141	01	PEDAL	PÉDALE	PEDAL	PEDAL	PEDALE		

08/08/2008

GR. COMP. ELETTR. DUSTY 1100 ET

EXPLODED VIEW

TABLE N° EXPL00081

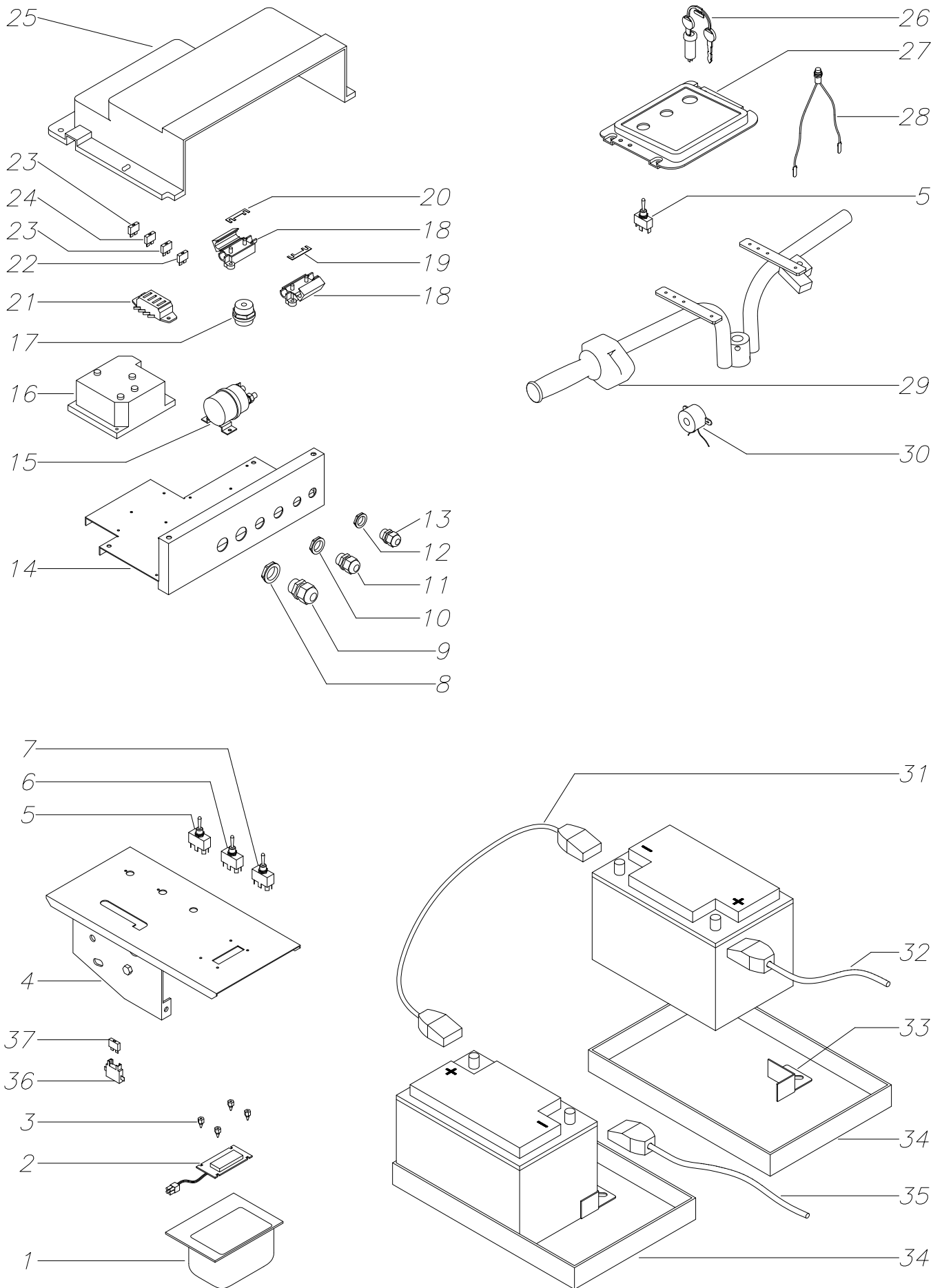


TABLE N° EXPL00081

SPARE PARTS LIST

GR. COMP. ELETTR. DUSTY1100 ET

08/08/2008

REF	CODE	QTY	DESCRIPTION	DENOMINATION	BESCHREIBUNG	DESCRIPCION	DESCRIZIONE	TECNICAL FEATURES	PRICE LIST €
01	B. PLDS00165	01	CRANKCASE	CARTER	GEHAUSE	CARTER	CARTER		
02	B. MESC00002	01	DISPLAY	DISPLAY	DISPLAY	DISPLAY	DISPLAY		
03	B. MEVR00290	04	SUPPORT	SUPPORT	HALTER	SOPORTE	SUPPORTO		
04	B. CRVR00021	01	PANEL	PANNEAUX	TAFEL	PANEL	PANNELLO		
05	B. MEIP00027	02	SHUNTER	DÉVIATEUR	SHUNTER	DESVIADOR EL.	DEVIATORE		
06	B. MEIP00023	01	SHUNTER	DÉVIATEUR	SHUNTER	DESVIADOR EL.	DEVIATORE		
07	B. MEIP00024	01	SWITCH	INTERRUPTEUR	SCHALTER	INTERRUPTOR	INTERRUTTORE		
08	B. MEVR00292	02	RING NUT	FRETTE	NUTMUTTER	CASQUILLO	GHIERA		
09	B. MEVR00291	02	CABLE CLAMP	COLLIER	KABELSCHELLE	ABRAZADERA CABL	PRESSACAVO		
10	E20954	02	RING NUT	FRETTE	NUTMUTTER	CASQUILLO	GHIERA		
11	E20953	02	CABLE CLAMP	COLLIER	KABELSCHELLE	ABRAZADERA CABL	PRESSACAVO		
12	E20932	02	RING NUT	FRETTE	NUTMUTTER	CASQUILLO	GHIERA		
13	E20943	02	CABLE CLAMP	COLLIER	KABELSCHELLE	ABRAZADERA CABL	PRESSACAVO		
14	B. CRZN00032	01	SUPPORT	SUPPORT	HALTER	SOPORTE	SUPPORTO		
15	B. METR00005	01	CONTACTOR	CONTACTEUR	FERNSCHALTER	CONTACTOR	TELERUTTORE		
16	B. MESC00001	01	ELEC. CIRCUIT	CIRQUIT. ELECT.	ELEKTR. STROM.	CIRCUITO ELECT.	SCHEDA		
17	B. MEVR00025	01	INSULATOR	ISOLATEUR	ISOLIERUNG	AISSADOR	ISOLATORE		
18	B. MEVR00070	02	FUSE-HOLDER	PORTE-FUSIBLES	SICHERUNGHALTER	PORTASFUSIBLES	PORTAFUSIBILE		
19	B. MEVR00050	02	FUSE	FUSIBLE	ABSCHMEL.HERUNG	FUSIBLE	FUSIBILE	60 A	
20	B. MEVR00066	01	FUSE	FUSIBLE	ABSCHMEL.HERUNG	FUSIBLE	FUSIBILE	80 A	
21	B. MEVR00075	01	FUSE-HOLDER	PORTE-FUSIBLES	SICHERUNGHALTER	PORTASFUSIBLES	PORTAFUSIBILE		
22	B. MEVR00020	01	FUSE	FUSIBLE	ABSCHMEL.HERUNG	FUSIBLE	FUSIBILE	40 A	
23	B. MEVR00067	02	FUSE	FUSIBLE	ABSCHMEL.HERUNG	FUSIBLE	FUSIBILE	25 A	
24	B. MEVR00103	01	FUSE	FUSIBLE	ABSCHMEL.HERUNG	FUSIBLE	FUSIBILE	5 A	
25	B. PLDS00043	01	CRANKCASE	CARTER	GEHAUSE	CARTER	CARTER		
26	B. MEIP00003	01	SWITCH	INTERRUPTEUR	SCHALTER	INTERRUPTOR	INTERRUTTORE		
27	B. PLDS00159	01	INSTRUM. PANEL	TAB. DE BORD	ARM. BRETT	CRUSCOTTO	CRUSCOTTO		
28	B. MEVR00248	01	PUSH-SWITCH	POUSSER INTERR.	SCHALTER BETÄT.	INTERR. A BOTON	PULSANTE		
29	B. MESC00000	01	ACCELERATOR	ACCÉLÉRATEUR	FORTSCHRITT	ACELERADOR	ACCELERATORE		
30	B. MECB00245	01	BUZZER	VIBREUR	SUMMER	ZUMBADOR	CICALINO		
31	B. MEVR00069	01	WIRING	CABLAGE	VERDRÄHTUNG	CABLEADO	CABLAGGIO		
32	B. MEVR00006	01	CLAMP	BORNE	KLEMME	ABRAZADERA	MORSETTO	" + =	
33	B. CRZN00624	02	BRACKET	ENTRIER	BUGEL	GRAPA	STAFFA		
34	B. PLDS00111	02	SUPPORT	SUPPORT	HALTER	SOPORTE	SUPPORTO		
35	B. MEVR00007	01	CLAMP	BORNE	KLEMME	ABRAZADERA	MORSETTO	" - "	
36	B. MEVR00033	01	FUSE-HOLDER	PORTE-FUSIBLES	SICHERUNGHALTER	PORTASFUSIBLES	PORTAFUSIBILE		
37	B. MEVR00018	01	FUSE	FUSIBLE	ABSCHMEL.HERUNG	FUSIBLE	FUSIBILE	30A (ONLY PLUS MOD.)	

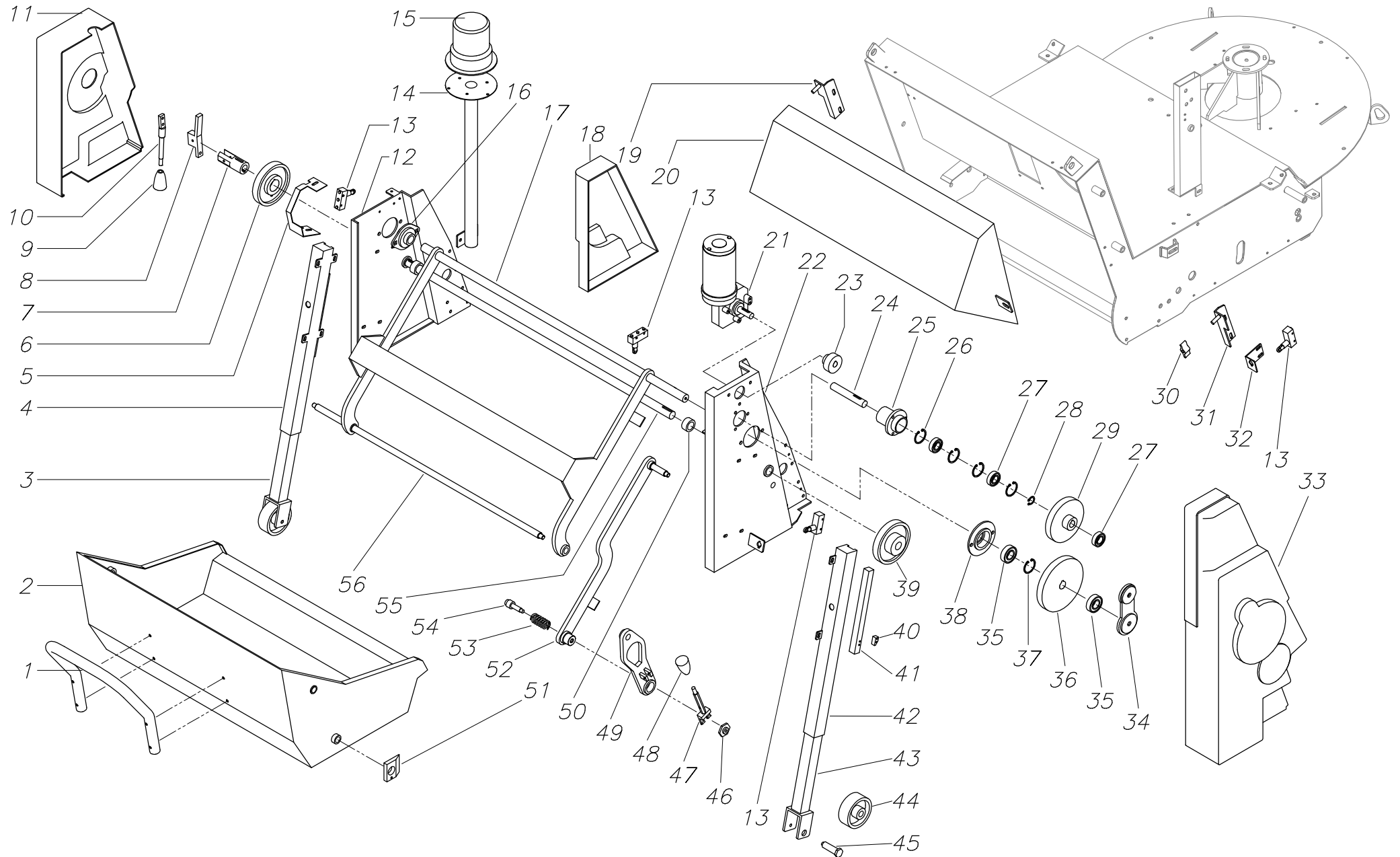
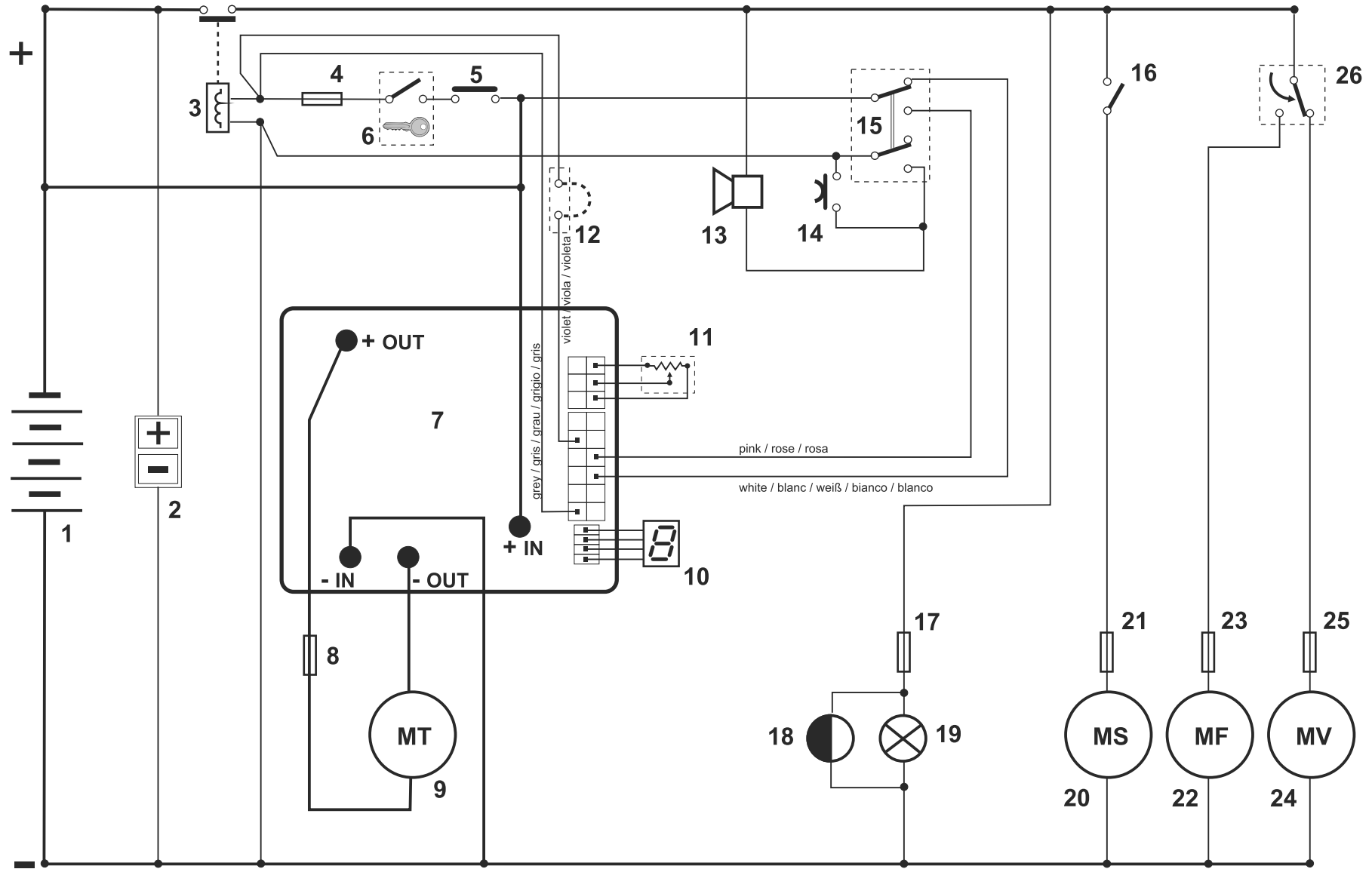
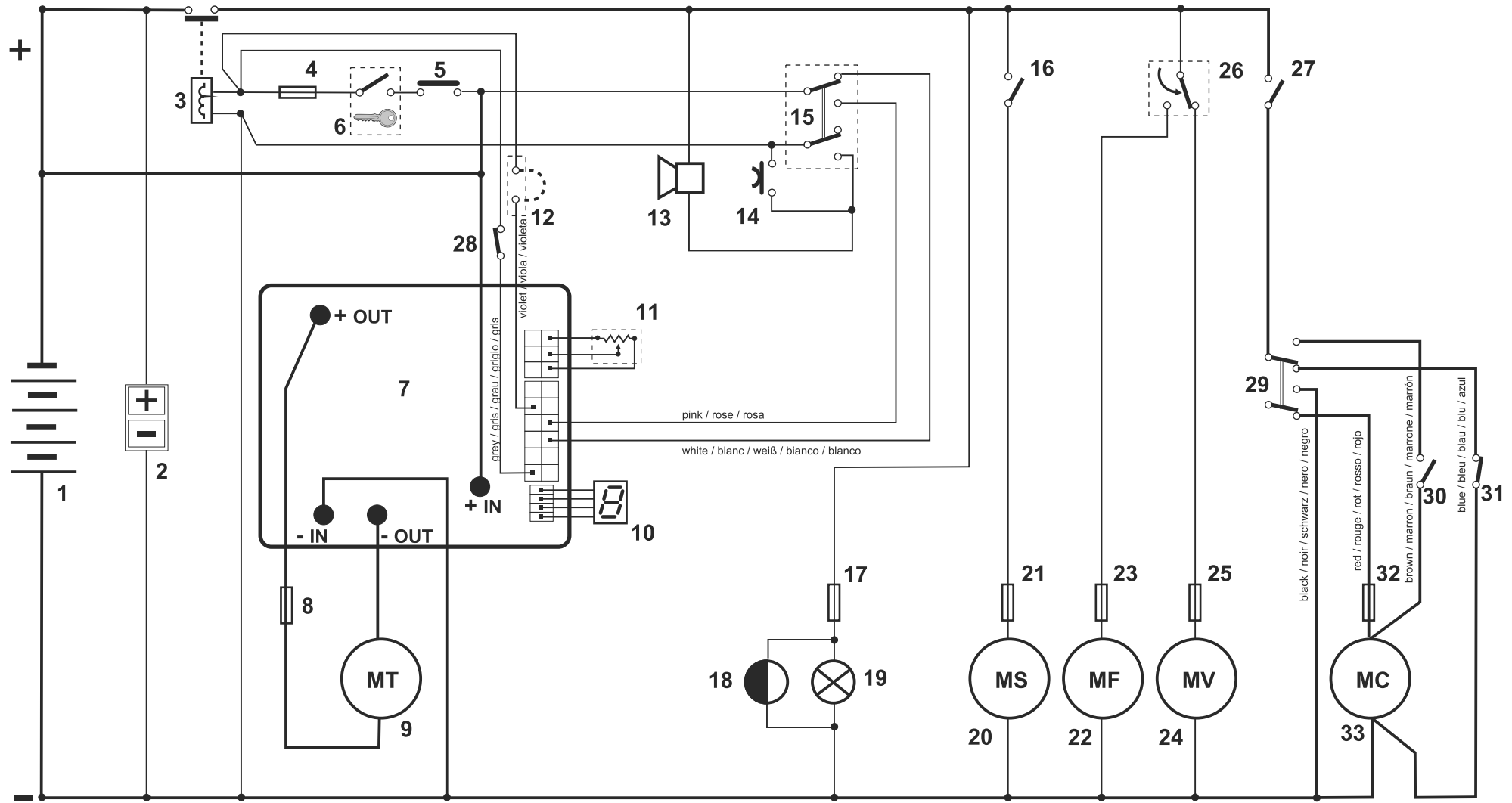


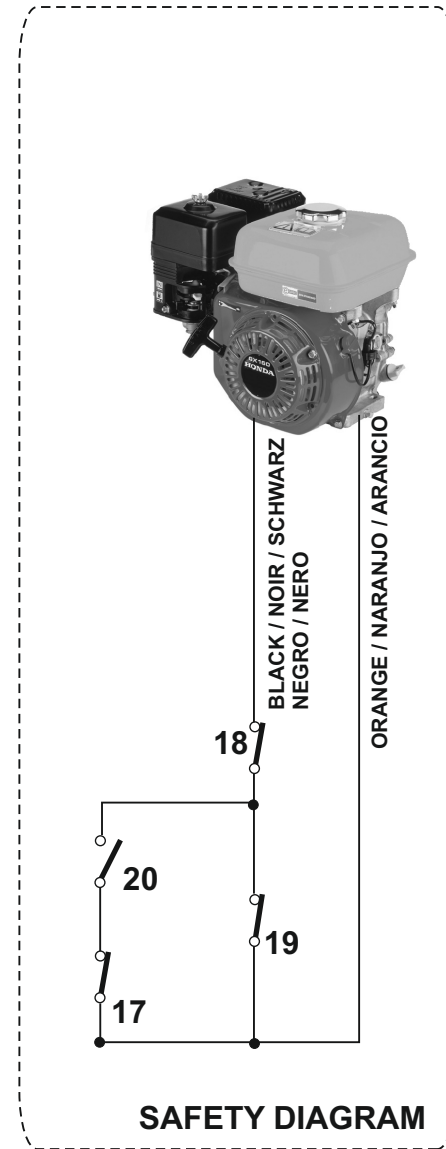
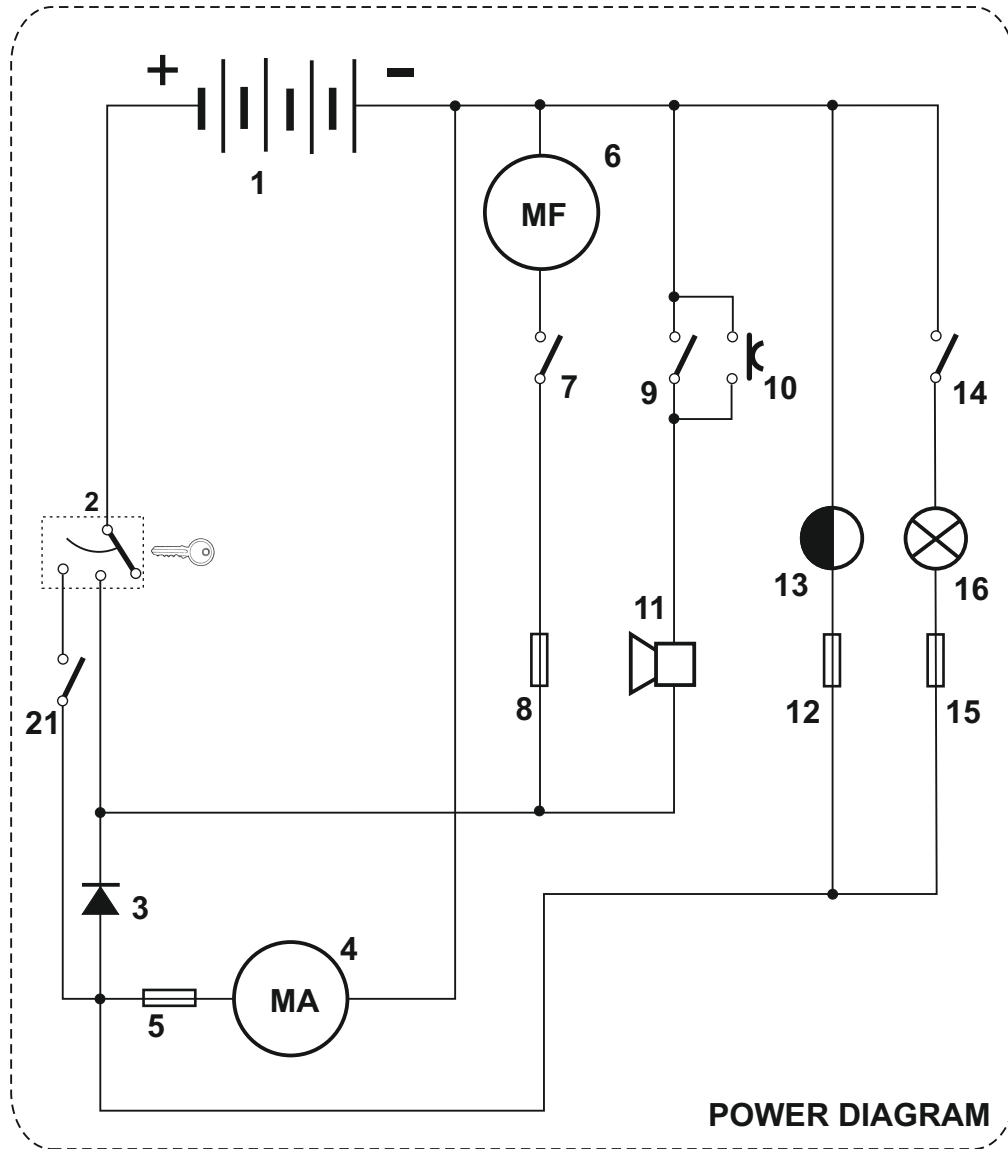
TABLE N°		EXPL00082		SPARE PARTS LIST			GR. SCARICO 1100 PLUS			01/10/2007	
REF	CODE	QTY	DESCRIPTION	DENOMINATION	BESCHREIBUNG	DESCRIPCION	DESCRIZIONE	TECNICAL FEATURES		PRICE LIST €	
01	B. CRVR00675	01	HANDLE	POGNEE	GRIFF	TIRADOR	MANIGLIA				
02	B. CRVR00016	01	DRAWER	TIROIR	SCHIEBERKASTEN	CAJON	CASSETTO				
03	B. CRZN00029	01	BRACKET	ENTRIER	BUGEL	GRAPA	STAFFA	SX			
04	B. CRZN00027	01	SUPPORT	SUPPORT	HALTER	SOPORTE	SUPPORTO	SX			
05	B. CRVR00023	01	GUIDE	GUI	SCHIEBER	GUÍA	GUIDA				
06	B. TNSP00010	01	GEAR	VITESSE	ZAHNARD	ENGRANAJE	INGRANAGGIO				
07	B. CRZN00627	01	HUB	MOYEAU	NABE	CUBO	MOZZO				
08	B. CRZN00628	01	INSERT	INSERT	EINSATZ	INSERTO	INSERTO				
09	B. CMMP00126	02	KNOB	POIGNEE	KNAUP	POMULO	POMELLO				
10	B. CRZN00629	01	LEVER	LEVIER	HEBEL	PALANCA	LEVA				
11	B. PLDS00050	01	CRANKCASE	CARTER	GEHAUSE	CARTER	CARTER				
12	B. CRVR00020	01	PLATE	PLAQUE	PLATTE	SOPORTE	PIASTRA				
13	B. MEIP00035	04	SWITCH	INTERRUPTEUR	SCHALTER	INTERRUPTOR	INTERRUPTORE				
14	B. CRVR00674	01	SUPPORT	SUPPORT	HALTER	SOPORTE	SUPPORTO				
15	B. MEVR00281	01	FLASHER	CLIGNOTEUR	BLITZGEBER	INTERMITENTE	LAMPEGGIATORE				
16	B. CUSC00025	01	BEARING	ROULEMENT	LAGER	COJINETE	CUSCINETTO				
17	B. TNAL00005	01	SHAFT	ARBRE	KURBELVELLE	CIUENAL	ALBERO				
18	B. PLDS00048	01	CRANKCASE	CARTER	GEHAUSE	CARTER	CARTER				
19	B. CRVR00677	01	BRACKET	ENTRIER	BUGEL	GRAPA	STAFFA				
20	B. CRVR00017	01	COVER	COUVERCLE	DECKEL	TAPA	COPERCHIO				
21	B. MTRD00003	01	MOTOR.GEARBOX	MOTOREDUCTEUR	GETRIEBMOTOR	MOTOREDUCTOR	MOTORIDUTTORE	24V - ET			
21	B. MTRD00004	01	MOTOR.GEARBOX	MOTOREDUCTEUR	GETRIEBMOTOR	MOTOREDUCTOR	MOTORIDUTTORE	12V - STH			
22	B. CRVR00019	01	PLATE	PLAQUE	PLATTE	SOPORTE	PIASTRA				
23	B. TNSP00002	01	GEAR	VITESSE	ZAHNARD	ENGRANAJE	INGRANAGGIO				
24	B. TNAL00001	01	SHAFT	ARBRE	KURBELVELLE	CIUENAL	ALBERO				
25	B. TNSP00085	01	BUSHING	DOUILLE	BUCHSE	MANGUITO	BOCCOLA				
26	B. VTAN00009	04	SEEGER	SEEGER	SEEGER	SEEGER	SEEGER				
27	B. CUSC00019	03	BEARING	ROULEMENT	LAGER	COJINETE	CUSCINETTO				
28	B. VTAN00003	01	SEEGER	SEEGER	SEEGER	SEEGER	SEEGER				
29	B. TNSP00000	01	GEAR	VITESSE	ZAHNARD	ENGRANAJE	INGRANAGGIO				
30	B. VTSP00029	02	WING NUT	ELROU A AILETT.	FLUGELMUTTER	CHAVETA	GALLETTO				
31	B. CRVR00676	01	BRACKET	ENTRIER	BUGEL	GRAPA	STAFFA				
32	B. CRZN00626	01	BRACKET	ENTRIER	BUGEL	GRAPA	STAFFA				
33	B. PLDS00049	01	CRANKCASE	CARTER	GEHAUSE	CARTER	CARTER				
34	B. CRZN00625	01	CONNECTING ROD	BIELLE	PLEUELSTANGE	BIELA	BIELLA				
35	B. CUSC00022	02	BEARING	ROULEMENT	LAGER	COJINETE	CUSCINETTO				
36	B. TNSP00001	01	GEAR	VITESSE	ZAHNARD	ENGRANAJE	INGRANAGGIO				
37	B. VTAN00010	01	SEEGER	SEEGER	SEEGER	SEEGER	SEEGER				
38	B. TNSP00086	01	BUSHING	DOUILLE	BUCHSE	MANGUITO	BOCCOLA				
39	B. TNSP00008	01	GEAR	VITESSE	ZAHNARD	ENGRANAJE	INGRANAGGIO				
40	B. TNSP00094	01	BARREL	BARICAUT	AUSGLEICHBEHAL.	BARRILETE	BARILOTTO				
41	B. CMSP00070	02	RACKS	CREMAILLERES	ZAHNSTANGEN	ESTANTES	CREMAGLIERA				
42	B. CRZN00026	01	SUPPORT	SUPPORT	HALTER	SOPORTE	SUPPORTO				
43	B. CRZN00028	01	BRACKET	ENTRIER	BUGEL	GRAPA	STAFFA				
44	B. RUOT00029	02	WHEEL	ROUE	LAUFRAD	RUEDA	RUOTA				
45	B. TNPE00006	02	PIN	PIVOT	SCHARNIER	PERNO	PERNO				
46	B. TNSP00009	01	NUT	ECROU	SCHRAUBMUTTER	TUERCA	DADO				
47	B. CRZN00016	01	LEVER	LEVIER	HEBEL	PALANCA	LEVA				
48	B. CMMP00126	01	KNOB	POIGNEE	KNAUP	POMULO	POMELLO				
49	B. CRVR00018	01	CONNECTING ROD	BIELLE	PLEUELSTANGE	BIELA	BIELLA				
50	B. TNSP00093	02	RING	BAGUE	RING	ANTILLO	ANELLO				
51	B. TNSP00095	01	GUIDE	GUI	SCHIEBER	GUÍA	GUIDA				
52	B. CRVR00022	01	BRACKET	ENTRIER	BUGEL	GRAPA	STAFFA				
53	B. MOLL00036	01	SPRING	RESSORT	FEDER	MUELLE	MOLLA				
54	B. TNPE00005	01	PIN	PIVOT	SCHARNIER	PERNO	PERNO				
55	B. TNAL00002	01	SHAFT	ARBRE	KURBELVELLE	CIUENAL	ALBERO				
56	B. TNAL00000	01	SHAFT	ARBRE	KURBELVELLE	CIUENAL	ALBERO				



REF	CODE	QTY	DESCRIPTION	DENOMINATION	BESCHREIBUNG	DESCRIPCION	DESCRIZIONE	TECNICAL FEATURES	PRICE LIST €
01	B. ACBT00002	02	BATTERY	BATTERIE	BATTERIE	BATERIA	BATTERIA	2x12x140 Ah OPTIONAL	
02	B. MECN00036	02	CONNECTOR	CONNECTEUR	STECKER	CONECTADOR	CONNETTORE		
03	B. METR00005	01	CONTACTOR	CONTACTEUR	FERNSCHALTER	CONTACTOR	TELERUTTORE		
04	B. MEVR00068	01	FUSE	FUSIBLE	ABSCHMEL.HERUNG	FUSIBLE	FUSIBILE	10 A	
05	B. MEIP00035	01	SWITCH	INTERRUPTEUR	SCHALTER	INTERRUPTOR	INTERRUTTORE		
06	B. MEIP00003	01	STARTER	DEMARR. INTER.	ANLASSER	INT. ARRANQUE	AVVIAMENTO		
07	B. MESC00001	01	ELEC. CIRCUIT	CIRQUIT. ELECT.	ELEKTR. STROM.	CIRCUITO ELECT.	SCHEDA		
08	B. MEVR00066	01	FUSE	FUSIBLE	ABSCHMEL.HERUNG	FUSIBLE	FUSIBILE	80 A	
09	B. MOCC00005	01	MOTOR	MOTEUR	MOTOR	MOTOR	MOTORE		
10	B. MESC00002	01	DISPLAY	DISPLAY	DISPLAY	DISPLAY	DISPLAY		
11	B. MESC00000	01	ACCELERATOR	ACCÉLÉRATEUR	FORTSCHRITT	ACELERADOR	ACCELERATORE		
12		01	CLAMP	BORNE	KLEMME	ABRAZADERA	MORSETTO	SEL. LEAD / GEL	
13	B. MECB00245	01	BUZZER	VIBREUR	SUMMER	ZUMBADOR	CICALINO		
14	B. MEVR00248	01	PUSH-SWITCH	POUSSER INTERR.	SCHALTER BETÄT.	INTERR. A BOTON	PULSANTE		
15	B. MEIP00027	01	SHUNTER	DÉVIATEUR	SHUNTER	DESVIADOR EL.	DEVIATORE		
16	B. MEIP00024	01	SWITCH	INTERRUPTEUR	SCHALTER	INTERRUPTOR	INTERRUTTORE	FOR BRUSH	
17	B. MEVR00103	01	FUSE	FUSIBLE	ABSCHMEL.HERUNG	FUSIBLE	FUSIBILE	5 A	
18	B. KTSP00044	01	FLASHER	CLIGNOTEUR	BLITZGEBER	INTERMITENTE	LAMPEGGIATORE	KIT OPTIONAL	
19	B. MEVR00280	01	HEADLIGHTS	PHARES	SCHWEINWERFER	LINTERNAS	FANALE		
20	B. MOCC00000	01	MOTOR	MOTEUR	MOTOR	MOTOR	MOTORE	FOR BRUSH	
21	B. MEVR00050	01	FUSE	FUSIBLE	ABSCHMEL.HERUNG	FUSIBLE	FUSIBILE	60 A	
22	B. MOCC00003	01	MOTOR	MOTEUR	MOTOR	MOTOR	MOTORE	CLEAN FILTER	
23	B. MEVR00067	01	FUSE	FUSIBLE	ABSCHMEL.HERUNG	FUSIBLE	FUSIBILE	25 A	
24	B. MOCC00002	01	MOTOR	MOTEUR	MOTOR	MOTOR	MOTORE	FOR VACUUM	
25	B. MEVR00067	01	FUSE	FUSIBLE	ABSCHMEL.HERUNG	FUSIBLE	FUSIBILE	25 A	
26	B. MEIP00023	01	SHUNTER	DÉVIATEUR	SHUNTER	DESVIADOR EL.	DEVIATORE		



REF	CODE	QTY	DESCRIPTION	DENOMINATION	BESCHREIBUNG	DESCRIPCION	DESCRIZIONE	TECNICAL FEATURES	PRICE LIST €
01	B. ACBT00002	02	BATTERY	BATTERIE	BATTERIE	BATERIA	BATTERIA	2x12x140 Ah OPTIONAL	
02	B. MECN00036	02	CONNECTOR	CONNECTEUR	STECKER	CONECTADOR	CONNETTORE		
03	B. METR00005	01	CONTACTOR	CONTACTEUR	FERNSCHALTER	CONTACTOR	TELERUTTORE		
04	B. MEVR00068	01	FUSE	FUSIBLE	ABSCHMEL.HERUNG	FUSIBLE	FUSIBILE	10 A	
05	B. MEIP00035	01	SWITCH	INTERRUPTEUR	SCHALTER	INTERRUPTOR	INTERRUTTORE		
06	B. MEIP00003	01	STARTER	DEMARR. INTER.	ANLASSER	INT. ARRANQUE	AVVIAMENTO		
07	B. MESC00001	01	ELEC. CIRCUIT	CIRQUIT. ELECT.	ELEKTR. STROM.	CIRCUITO ELECT.	SCHEDA		
08	B. MEVR00066	01	FUSE	FUSIBLE	ABSCHMEL.HERUNG	FUSIBLE	FUSIBILE	80 A	
09	B. MOCC00005	01	MOTOR	MOTEUR	MOTOR	MOTOR	MOTORE		
10	B. MESC00002	01	DISPLAY	DISPLAY	DISPLAY	DISPLAY	DISPLAY		
11	B. MESC00000	01	ACCELERATOR	ACCÉLÉRATEUR	FORTSCHRITT	ACELERADOR	ACCELERATORE		
12		01	CLAMP	BORNE	KLEMME	ABRAZADERA	MORSETTO	SEL. LEAD / GEL	
13	B. MECB00245	01	BUZZER	VIBREUR	SUMMER	ZUMBADOR	CICALINO		
14	B. MEVR00248	01	PUSH-SWITCH	POUSSER INTERR.	SCHALTER BETÄT.	INTERR. A BOTON	PULSANTE		
15	B. MEIP00027	01	SHUNTER	DÉVIATEUR	SHUNTER	DESVIADOR EL.	DEVIATORE		
16	B. MEIP00024	01	SWITCH	INTERRUPTEUR	SCHALTER	INTERRUPTOR	INTERRUTTORE	ON BRUSH	
17	B. MEVR00103	01	FUSE	FUSIBLE	ABSCHMEL.HERUNG	FUSIBLE	FUSIBILE	5 A	
18	B. MEVR00281	01	FLASHER	CLIGNOTEUR	BLITZGEBER	INTERMITENTE	LAMPEGGIATORE		
19	B. MEVR00280	01	HEADLIGHTS	PHARES	SCHEINWERFER	LINTERNAS	FANALE		
20	B. MOCC00000	01	MOTOR	MOTEUR	MOTOR	MOTOR	MOTORE	FOR BRUSH	
21	B. MEVR00050	01	FUSE	FUSIBLE	ABSCHMEL.HERUNG	FUSIBLE	FUSIBILE	60 A	
22	B. MOCC00003	01	MOTOR	MOTEUR	MOTOR	MOTOR	MOTORE	CLEAN FILTER	
23	B. MEVR00067	01	FUSE	FUSIBLE	ABSCHMEL.HERUNG	FUSIBLE	FUSIBILE	25 A	
24	B. MOCC00002	01	MOTOR	MOTEUR	MOTOR	MOTOR	MOTORE	FOR VACUUM	
25	B. MEVR00067	01	FUSE	FUSIBLE	ABSCHMEL.HERUNG	FUSIBLE	FUSIBILE	25 A	
26	B. MEIP00023	01	SHUNTER	DÉVIATEUR	SHUNTER	DESVIADOR EL.	DEVIATORE		
27	B. MEIP00035	01	SWITCH	INTERRUPTEUR	SCHALTER	INTERRUPTOR	INTERRUTTORE		
28	B. MEIP00035	01	SWITCH	INTERRUPTEUR	SCHALTER	INTERRUPTOR	INTERRUTTORE		
29	B. MEIP00027	01	SHUNTER	DÉVIATEUR	SHUNTER	DESVIADOR EL.	DEVIATORE	UP / DOWN	
30	B. MEIP00035	01	SWITCH	INTERRUPTEUR	SCHALTER	INTERRUPTOR	INTERRUTTORE		
31	B. MEIP00035	01	SWITCH	INTERRUPTEUR	SCHALTER	INTERRUPTOR	INTERRUTTORE		
32	B. MEVR00018	01	FUSE	FUSIBLE	ABSCHMEL.HERUNG	FUSIBLE	FUSIBILE	30 A	
33	B. MTRD00003	01	MOTOR.GEARBOX	MOTOREDUCTEUR	GETRIEBMOTOR	MOTOREDUCTOR	MOTORIDUTTORE		



REF	CODE	QTY	DESCRIPTION	DENOMINATION	BESCHREIBUNG	DESCRIPCION	DESCRIZIONE	TECNICAL FEATURES	PRICE LIST €
01	B. ACBT00013	01	BATTERY	BATTERIE	BATTERIE	BATERIA	BATTERIA	12V 20AH	
02	B. MEIP00030	01	STARTER	DEMARR. INTER.	ANLASSER	INT. ARRANQUE	AVVIAMENTO		
03	B. MEVR00285	01	DIODE	DIODE	DIODE	DIODO	DIODO		
04	B. MOCC00017	01	MOTOR	MOTEUR	MOTOR	MOTOR	MOTORE		
05	B. MEVR00050	01	FUSE	FUSIBLE	ABSCHMEL.HERUNG	FUSIBLE	FUSIBILE	60 A	
06	B. MOCC00001	01	MOTOR	MOTEUR	MOTOR	MOTOR	MOTORE		
07	B. MEIP00035	01	SWITCH	INTERRUPTEUR	SCHALTER	INTERRUPTOR	INTERRUTTORE		
08	B. MEVR00068	01	FUSE	FUSIBLE	ABSCHMEL.HERUNG	FUSIBLE	FUSIBILE	10 A	
09	B. MEIP00035	01	SWITCH	INTERRUPTEUR	SCHALTER	INTERRUPTOR	INTERRUTTORE		
10	B. MEIP00009	01	PUSH-SWITCH	POUSSER INTERR.	SCHALTER BETÄT.	INTERR. A BOTON	PULSANTE		
11	B. MECB00245	01	BUZZER	VIBREUR	SUMMER	ZUMBADOR	CICALINO		
12	B. MEVR00103	01	FUSE	FUSIBLE	ABSCHMEL.HERUNG	FUSIBLE	FUSIBILE	5 A	
13	B. KTSP00044	01	FLASHER	CLIGNOTEUR	BLITZGEBER	INTERMITENTE	LAMPEGGIATORE	OPTIONAL	
14	B. MEIP00024	01	SWITCH	INTERRUPTEUR	SCHALTER	INTERRUPTOR	INTERRUTTORE		
15	B. MEVR00103	01	FUSE	FUSIBLE	ABSCHMEL.HERUNG	FUSIBLE	FUSIBILE	5 A	
16	B. MEVR00284	01	HEADLIGHTS	PHARES	SCHEINWERFER	LINTERNAS	FANALE		
17	B. MEIP00035	01	SWITCH	INTERRUPTEUR	SCHALTER	INTERRUPTOR	INTERRUTTORE	SU AVANZ/ ON START	
18		01	CONTACT	CONTACT	KONTAKT	CONTACTO	CONTATTO	SU/ON B.MEIP00030	
19	B. MEIP00035	01	SWITCH	INTERRUPTEUR	SCHALTER	INTERRUPTOR	INTERRUTTORE	SU SEDILE / ON SEAT	
20	B. MEIP00035	01	SWITCH	INTERRUPTEUR	SCHALTER	INTERRUPTOR	INTERRUTTORE	SU ACCEL/ON ACCELER	

REF	CODE	QTY	DESCRIPTION	DENOMINATION	BESCHREIBUNG	DESCRIPCION	DESCRIZIONE	TECNICAL FEATURES	PRICE LIST €
01	B. ACBT00013	01	BATTERY	BATTERIE	BATTERIE	BATERIA	BATTERIA	12V 20AH	
02	B. MEIP00030	01	STARTER	DEMARR. INTER.	ANLASSER	INT. ARRANQUE	AVVIAMENTO		
03	B. MEVR00285	01	DIODE	DIODE	DIODE	DIODO	DIODO		
04	B. MOCC00017	01	MOTOR	MOTEUR	MOTOR	MOTOR	MOTORE		
05	B. MEVR00050	01	FUSE	FUSIBLE	ABSCHMEL.HERUNG	FUSIBLE	FUSIBILE	60 A	
06	B. MOCC00001	01	MOTOR	MOTEUR	MOTOR	MOTOR	MOTORE		
07	B. MEIP00035	01	SWITCH	INTERRUPTEUR	SCHALTER	INTERRUPTOR	INTERRUTTORE		
08	B. MEVR00068	01	FUSE	FUSIBLE	ABSCHMEL.HERUNG	FUSIBLE	FUSIBILE	10 A	
09	B. MEIP00035	01	SWITCH	INTERRUPTEUR	SCHALTER	INTERRUPTOR	INTERRUTTORE		
10	B. MEIP00009	01	PUSH-SWITCH	POUSSER INTERR.	SCHALTER BETÄT.	INTERR. A BOTON	PULSANTE		
11	B. MECB00245	01	BUZZER	VIBREUR	SUMMER	ZUMBADOR	CICALINO		
12	B. MEVR00103	01	FUSE	FUSIBLE	ABSCHMEL.HERUNG	FUSIBLE	FUSIBILE	5 A	
13	B. MEVR00281	01	FLASHER	CLIGNOTEUR	BLITZGEBER	INTERMITENTE	LAMPEGGIATORE		
14	B. MEIP00024	01	SWITCH	INTERRUPTEUR	SCHALTER	INTERRUPTOR	INTERRUTTORE		
15	B. MEVR00103	01	FUSE	FUSIBLE	ABSCHMEL.HERUNG	FUSIBLE	FUSIBILE	5 A	
16	B. MEVR00284	01	HEADLIGHTS	PHARES	SCHWEINWERFER	LINTERNAS	FANALE		
17	B. MEIP00035	01	SWITCH	INTERRUPTEUR	SCHALTER	INTERRUPTOR	INTERRUTTORE	SU AVANZ/ ON START	
18		01	CONTACT	CONTACT	KONTAKT	CONTACTO	CONTATTO	SU/ON B.MEIP00030	
19	B. MEIP00035	01	SWITCH	INTERRUPTEUR	SCHALTER	INTERRUPTOR	INTERRUTTORE	SU SEDILE / ON SEAT	
20	B. MEIP00035	01	SWITCH	INTERRUPTEUR	SCHALTER	INTERRUPTOR	INTERRUTTORE	SU ACCEL/ON ACCELER	
21	B. MEIP00035	01	SWITCH	INTERRUPTEUR	SCHALTER	INTERRUPTOR	INTERRUTTORE		
22	B. MEIP00027	01	SHUNTER	DÉVIATEUR	SHUNTER	DESVIADOR EL.	DEVIATORE		
23	B. MEIP00035	01	SWITCH	INTERRUPTEUR	SCHALTER	INTERRUPTOR	INTERRUTTORE		
24	B. MEIP00035	01	SWITCH	INTERRUPTEUR	SCHALTER	INTERRUPTOR	INTERRUTTORE		
25	B. MEVR00020	01	FUSE	FUSIBLE	ABSCHMEL.HERUNG	FUSIBLE	FUSIBILE	40 A	
26	B. MTRD00004	01	MOTOR.GEARBOX	MOTOREDUCTEUR	GETRIEBMOTOR	MOTOREDUCTOR	MOTORIDUTTORE		
27	B. MEIP00035	01	SWITCH	INTERRUPTEUR	SCHALTER	INTERRUPTOR	INTERRUTTORE	ON DISCHARGES	



BIEMMEDUE S.p.A. - Via Industria, 12 - 12062 - CHERASCO (CN) - Italy
Tel. +39 0172 486111 - Fax +39 0172 488270
www.biemmedue.com - e-mail: bm2@biemmedue.com