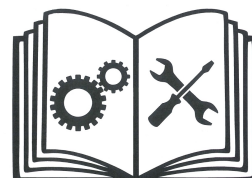


SPLIT

Idropulitrice acqua calda
Nettoyeur à eau chode
Heisswasser-Hochdruckreiniger
Hot water high pressure washer
Hidrolimpiadora agua caliente



L-LC083.01-BM



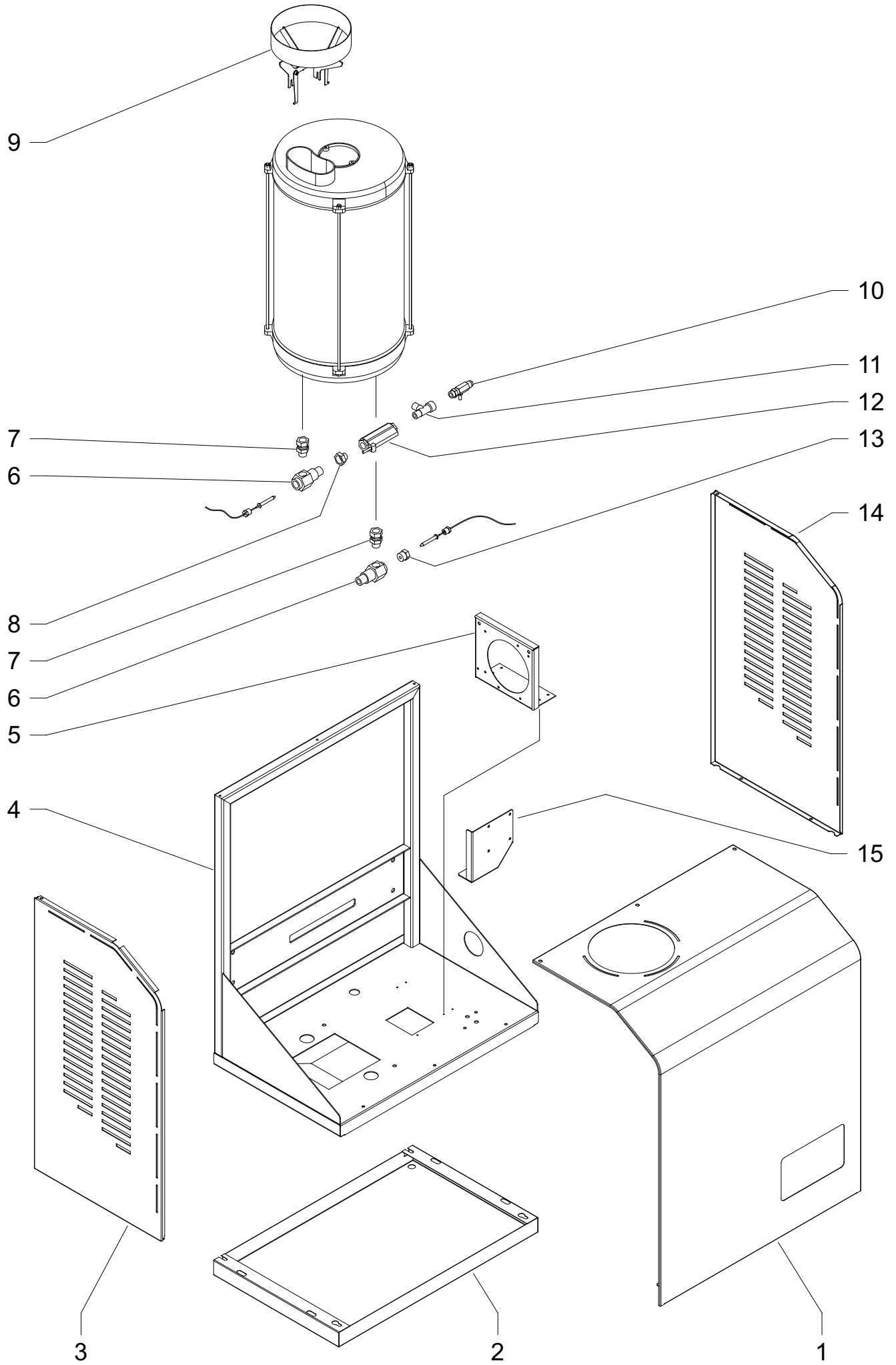


TABLE N° EXPL00190

SPARE PARTS LIST

GR. LAM. SPLIT

12/05/2017

REF	CODE	QTY	DESCRIPTION	DENOMINATION	BESCHREIBUNG	DESCRIPCION	DESCRIZIONE	TECNICAL FEATURES
01	B. CRDS00941	01	HOOD	CAPOT	HAUBE	COFRE	COFANO	
02	B. CRDS00945	01	HOOD	CAPOT	HAUBE	COFRE	COFANO	
03	B. CRDS00942	01	HOOD	CAPOT	HAUBE	COFRE	COFANO	
04	B. CRVR00761	01	FRAME	CHASSIS	GERUST	CHASIS	TELAIO	
05	L01221	01	SUPPORT	SUPPORT	HALTER	SOPORTE	SUPPORTO	
06	B. RCVR00193	02	CONNECTOR	RACCORD	VERBIND. STUCK	RACORD	RACCORDO	
07	I20601	02	CONNECTOR	RACCORD	VERBIND. STUCK	RACORD	RACCORDO	
08	I20210	01	REDUCTION	RÉDUCTION	VERKLEINERUNG	REDUCCIÓN	RIDUZIONE	
09	B. CRDS00956	01	BRACKET	ENTRIER	BUGEL	GRAPA	STAFFA	
10	I10433	01	VALVE	SOUPAPE	VENTIL	VALVULA	VALVOLA	
11	B. RCVR00022	01	CONNECTOR	RACCORD	VERBIND. STUCK	RACORD	RACCORDO	
12	B. MEFL00000	01	FLOW SWITCH	FLUSSOSTAT	STROMUNGSWACHTE	INT. DE FLUJO	FLUSSOSTATO	
13	I30307	01	REDUCTION	RÉDUCTION	VERKLEINERUNG	REDUCCIÓN	RIDUZIONE	
14	B. CRDS00943	01	HOOD	CAPOT	HAUBE	COFRE	COFANO	
15	B. CRDS00797	01	BRACKET	ENTRIER	BUGEL	GRAPA	STAFFA	

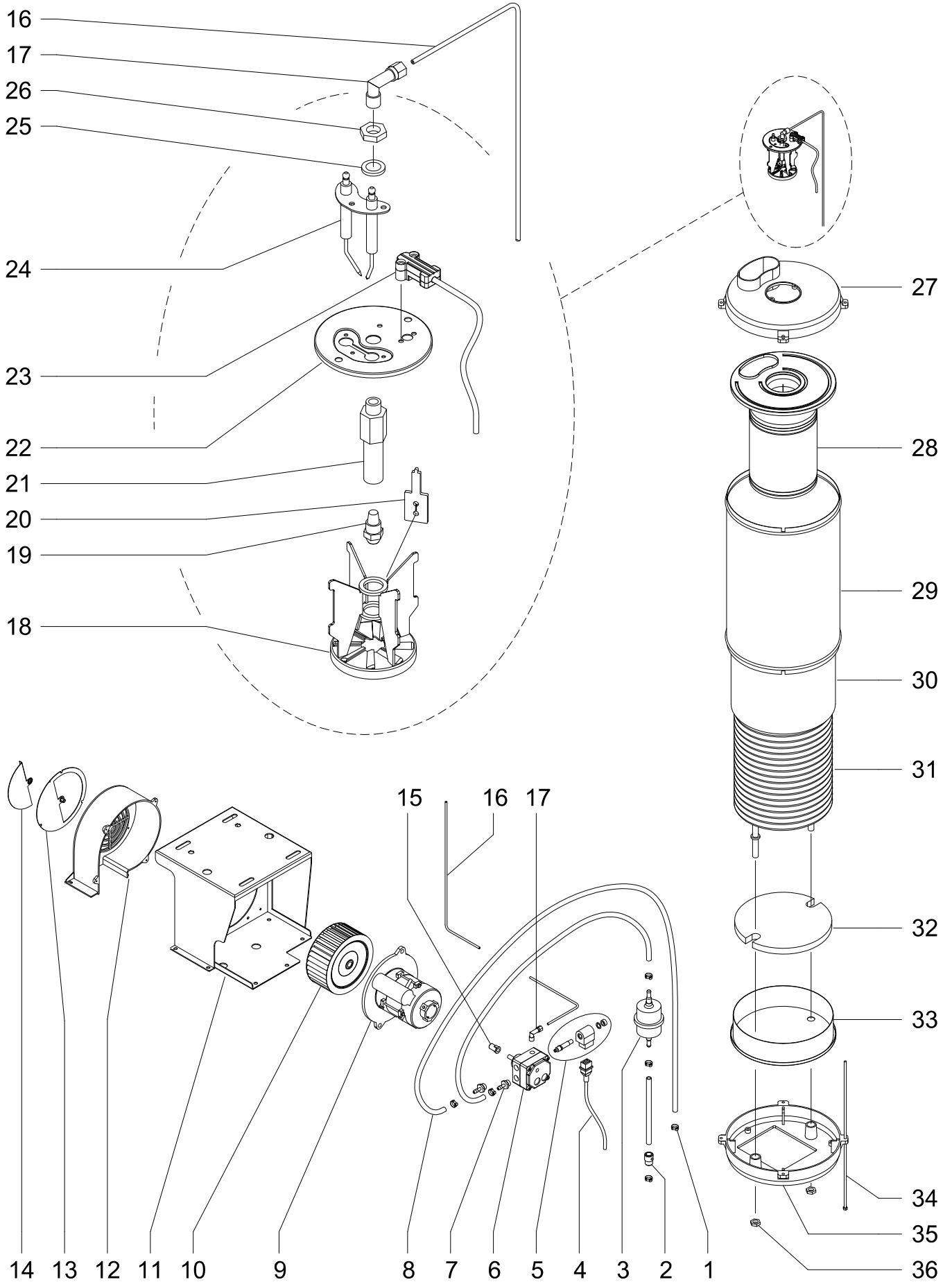


TABLE N° EXPL00149

SPARE PARTS LIST

GR. BOILER-FAN THERMAL - SPLIT

08/02/2017

REF	CODE	QTY	DESCRIPTION	DENOMINATION	BESCHREIBUNG	DESCRIPCION	DESCRIZIONE	TECNICAL FEATURES
01	B. VTSP00110	06	RING	ANNEAU	RING	ANILLO	FASCETTA	
02	B. RCVR00182	01	TAP	ROBINET	ZAPFHAHN	CANILLA	RUBINETTO	
03	I30414	01	FILTER	FILTRE	FILTER	FILTRO	FILTRO	
04	T20442	01	CABLE	CABLE	KABEL	CABLE	CAVO	
05	B. METR00024	01	COIL	BOBINE	SPULE	BOBINA	BOBINA	
06	T20450	01	PUMP	POMPE	PUMPE	BOMBA	POMPA	
07	B. RCVR00172	02	HOSE FITTING	RACC. P. TUYAU	SCHLAUCH HALTER	PORTAMANGUERA	PORTAGOMMA	
08	B. TUFL01012	01	HOSE	TUYAU	ROHR	TUBO	TUBO	
09	B. MOAC00039	01	MOTOR	MOTEUR	MOTOR	MOTOR	MOTORE	
10	T10255	01	FAN	HELICE	LUFTEARRD	TURBINA	VENTOLA	
11	B. CRVR00713	01	SUPPORT	SUPPORT	HALTER	SOPORTE	SUPPORTO	
12	C10323	01	SPIRAL FAN	ECROU VENTIL.	SCHNECKE VENTIL	ESPIRAL VENTIL.	COCLEA VENTIL.	
13	B. CRZN00665	01	SUPPORT	SUPPORT	HALTER	SOPORTE	SUPPORTO	
14	B. CRZN00666	01	SHUTTER	OBTURATEUR	SCHALTER	VENTANILLA	SERRANDA	
15	E10698	01	FLEX. COUPLING	ACCOUPLMENT FL	FLEX. KOPPELUNG	ACOPLADOR FLEX.	GIUNTO	
16	B. RCVR00180	01	HOSE	TUYAU	ROHR	TUBO	TUBO	
17	I30856	01	CONNECTOR	RACCORD	VERBIND. STUCK	RACORD	RACCORDO	
18	B. CRDS00780	01	TURBULATOR	TURBULATEUR	TURBULATOR	TURBULADOR	TURBOLATORE	
19	T20330	01	NOZZLE	BUSE	DUSE	BOQUILLA	UGELLO	
20	B. CRDS00782	01	BRACKET	ENTRIER	BUGEL	GRAPA	STAFFA	
21	I30688	01	CONNECTOR	RACCORD	VERBIND. STUCK	RACORD	RACCORDO	
22	B. CRDS00778	01	FLANGE	BRIDE	FLANSCH	BRIDA	FLANGIA	
23	B. PMVR00174	01	PHOTORESISTANCE	PHOTORESISTANCE	PHOTOWINDERSTAN	FOTORESISTENCIA	FOTORESISTENZA	
24	B. MEVR00320	01	ELECTRODES	ELECTRODES	ELEKTRODEN	ELECTRODOS	ELETTRODI	
25	I30685	01	WASHER	RONDELLE	DICHTUNG	ARANDELLA	RONDELLA	
26	I31034	01	NUT	ECROU	SCHRAUBMUTTER	TUERCA	DADO	
27	B. CRVR00706	01	COVER	COUVERCLE	DECKEL	TAPA	COPERCHIO	
28	B. CRAS00101	01	COVER	COUVERCLE	DECKEL	TAPA	COPERCHIO	THERMAL T30
28	B. CRVR00717	01	COVER	COUVERCLE	DECKEL	TAPA	COPERCHIO	THERMAL T40
29	B. CRVR00705	01	CYLINDER	CYLINDRE	ZYLINDER	CIINDRO	CILINDRO	THERMAL T30
29	B. CRZN00673	01	CYLINDER	CYLINDRE	ZYLINDER	CIINDRO	CILINDRO	THERMAL T40
30	B. P20214	01	CYLINDER	CYLINDRE	ZYLINDER	CIINDRO	CILINDRO	THERMAL T40
30	B. CRZN00667	01	CYLINDER	CYLINDRE	ZYLINDER	CIINDRO	CILINDRO	THERMAL T30
31	P20212	01	HEATING COIL	SERPENTIN	ROHRSCHLANGE	SERPENTIN	SERPENTINA	
32	B. CMSP00122	01	BOILER BOTTOM	FOND CHAUDIERE	KESSELBODEN	FONDO CALDERA	FONDO CALDAIA	
33	B. CRDS00764	01	COVER	COUVERCLE	DECKEL	TAPA	COPERCHIO	
34	M10804	04	TIE ROD	TIRANT	ZUGSTANGE	TIRANTE	TIRANTE	
35	L01235	01	COVER	COUVERCLE	DECKEL	TAPA	COPERCHIO	
36	I31037	02	RING NUT	FRETTE	NUTMUTTER	CASQUILLO	GHIERA	

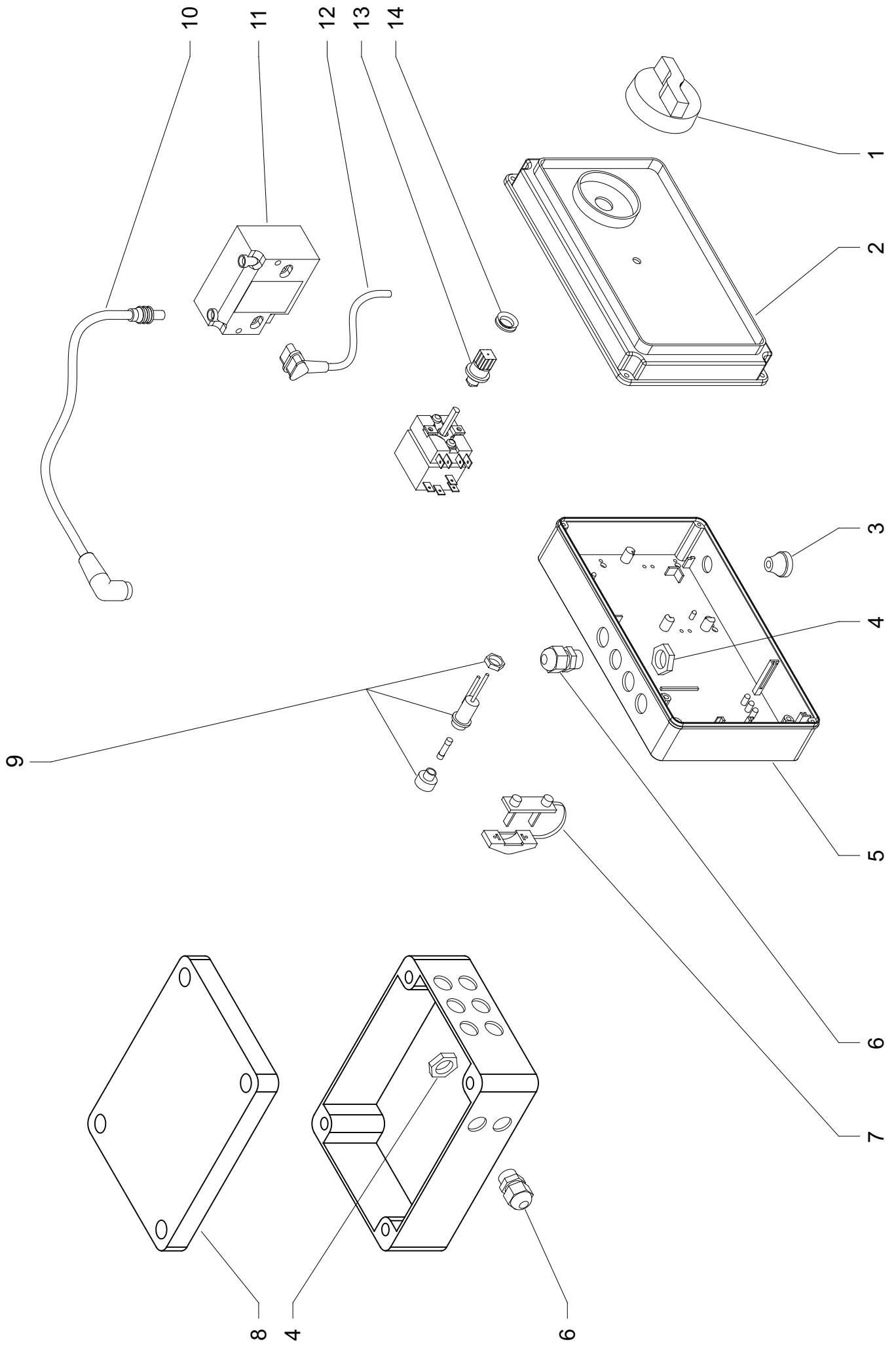


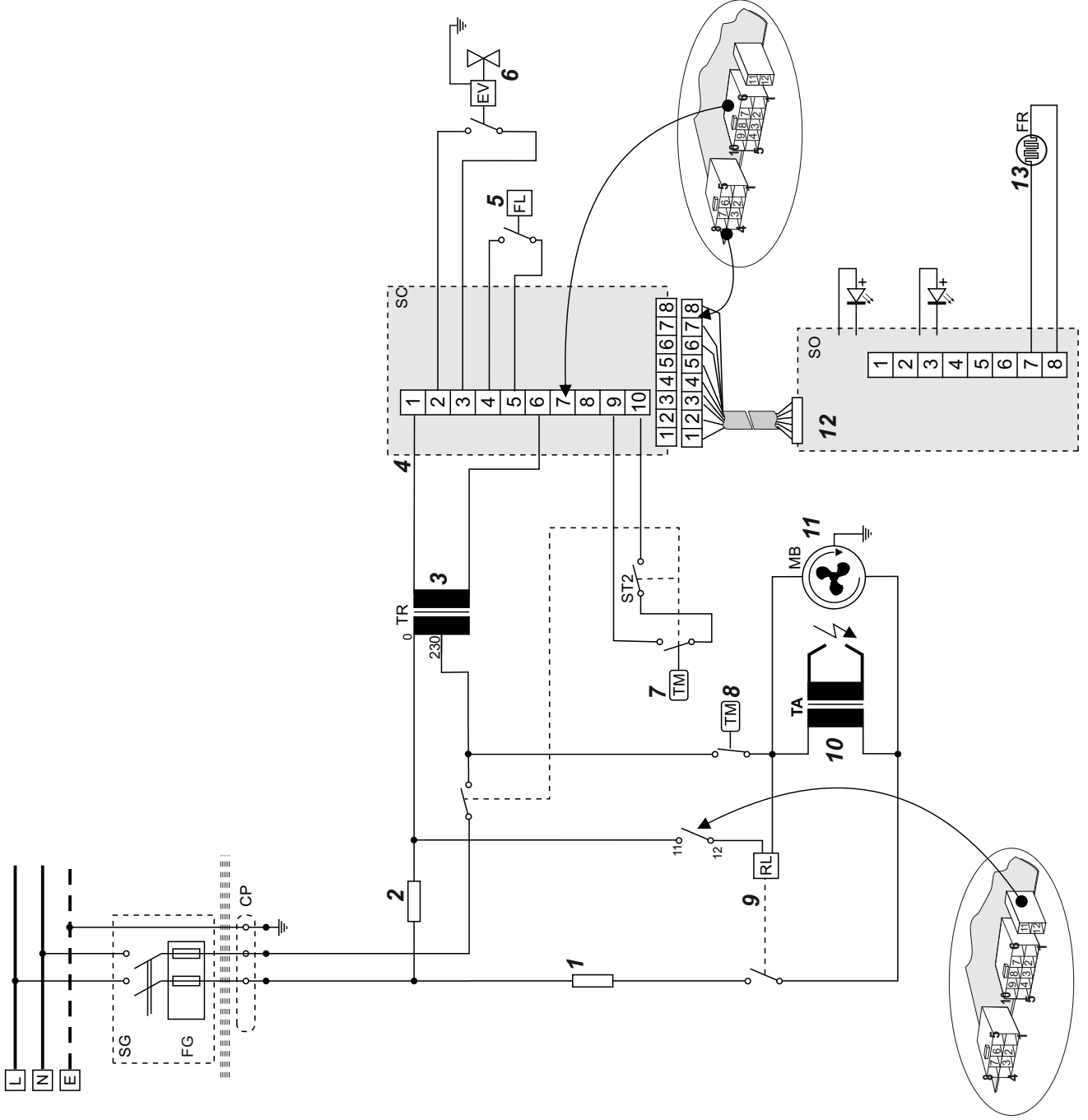
TABLE N° EXPL00191

SPARE PARTS LIST

EL. PANEL. SPLIT

12/05/2017

REF	CODE	QTY	DESCRIPTION	DENOMINATION	BESCHREIBUNG	DESCRIPCION	DESCRIZIONE	TECNICAL FEATURES
01	B. CMMP00110	01	KNOB	POIGNEE	VERSTELLGRIFF	MANOPOLA	MANOPOLA	
02	B. PLDS00293	01	COVER	COUVERCLE	DECKEL	TAPA	COPERCHIO	
03	B. MEVR00294	01	CABLE CLAMP	COLLIER	KABELSCHELLE	ABRAZADERA CABL	PRESSACAVO	
04	E20932	12	RING NUT	FRETTE	NUTMUTTER	CASQUILLO	GHIERA	
05	B. PLDS00292	01	BOX	BOÎTE	KASTEN	CAJA	SCATOLA	
06	E20943	12	CABLE CLAMP	COLLIER	KABELSCHELLE	ABRAZADERA CABL	PRESSACAVO	
07	B. MEVR00295	01	CABLE CLAMP	COLLIER	KABELSCHELLE	ABRAZADERA CABL	PRESSACAVO	
08	B. MEVR00306	01	BOX	BOÎTE	KASTEN	CAJA	SCATOLA	
09	B. MEVR00326	01	FUSE-HOLDER	PORTE-FUSIBLES	SICHERUNGHALTER	PORTASFUSIBLES	PORTAFUSIBILE	
10	B. MECV00062	01	CABLE	CABLE	KABEL	CABLE	CAVO	
11	B. METR00018	01	TRANSFORMER	TRANSFORMATEUR	TRANSFORMER	TRANSFORMADOR	TRASFORMATORE	
12	B. MECV00063	01	CABLE	CABLE	KABEL	CABLE	CAVO	
13	B. CMMP00145	01	INSERT	INSERT	EINSATZ	INSERTO	INSERTO	
14	B. GUAR00112	01	GASKET	GARNITURE	DICHTUNG	GUARNICION	GUARNIZIONE	



REF	CODE	QTY	DESCRIPTION	DENOMINATION	BESCHREIBUNG	DESCRIPCION	DESCRIZIONE	TECNICAL FEATURES
01	E10328	01	FUSE	FUSIBLE	ABSCHMEL.HERUNG	FUSIBLE	FUSIBILE	
02	E10326	01	FUSE	FUSIBLE	ABSCHMEL.HERUNG	FUSIBLE	FUSIBILE	
03	B. METR00028	01	TRANSFORMER	TRANSFORMATEUR	TRANSFORMER	TRANSFORMADOR	TRASFORMATORE	
04	B. MESC00017	01	ELEC. CIRCUIT	CIRQUIT. ELECT.	ELEKTR. STROM.	CIRCUITO ELECT.	SCHEDA	
05	B. MEFL00000	01	FLOW SWITCH	FLUSSOSTAT	STROMUNGSWACHTE	INT. DE FLUJO	FLUSSOSTATO	
06	B. METR00019	01	COIL	BOBINE	SPULE	BOBINA	BOBINA	
07	B. MEIP00051	01	THERMOSTAT	THERMOSTAT	THERMOSTAT	TERMOSTATO	TERMOSTATO	
08	B. MEIP00072	01	THERMOSTAT	THERMOSTAT	THERMOSTAT	TERMOSTATO	TERMOSTATO	
09	B. METR00054	01	RELAY	RELAIS	RELAIS	RELE'	RELE'	
10	B. METR00018	01	TRANSFORMER	TRANSFORMATEUR	TRANSFORMER	TRANSFORMADOR	TRASFORMATORE	
11	B. E10697	01	MOTOR	MOTEUR	MOTOR	MOTOR	MOTORE	
12	B. MESC00018	01	ELEC. CIRCUIT	CIRQUIT. ELECT.	ELEKTR. STROM.	CIRCUITO ELECT.	SCHEDA	
13	B. PMVR00174	01	PHOTORESISTANCE	PHOTORESISTANCE	PHOTOWINDERSTAN	FOTORESISTENCIA	FOTORESISTENZA	



BIEMMEDUE S.p.A. - Via Industria, 12 - 12062 - CHERASCO (CN) - Italy
Tel. +39 0172 486111 - Fax +39 0172 488270
www.biemmedue.com - e-mail: bm2@biemmedue.com