

MAGNUM - MAGNUM PLUS MAGNUM 4S

Idropulitrice acqua fredda - Nettoyeur à eau froide
Kaltwasser-Hochdruckreiniger - Cold water high pressure washer
Hidrolimpiadora agua fría

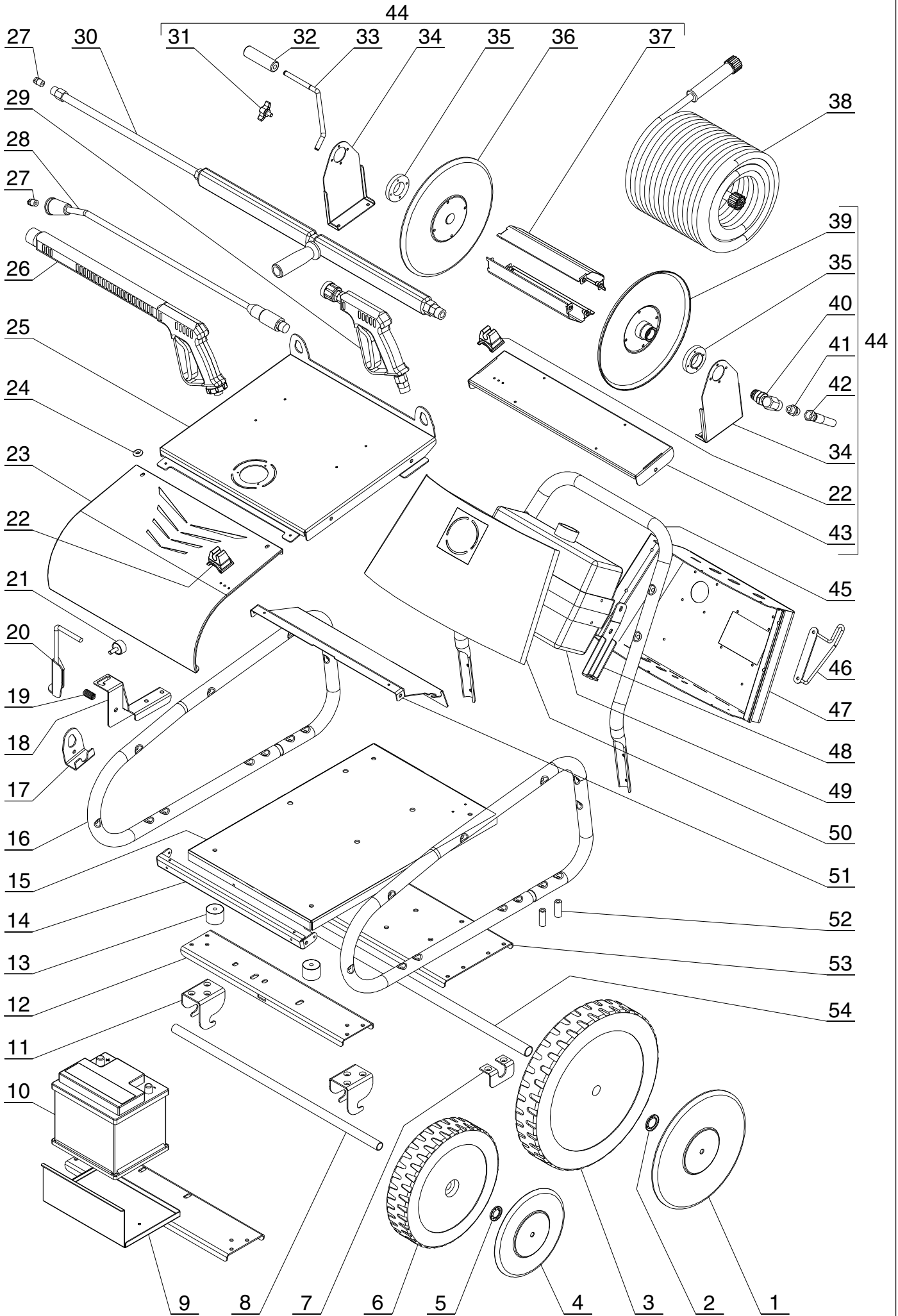


03/09/2015

ASS. MAGNUM

EXPLODED VIEW

TABLE N° EXPL00134



REF	CODE	QTY	DESCRIPTION	DENOMINATION	BESCHREIBUNG	DESCRIPCION	DESCRIZIONE	TECNICAL FEATURES
01	B. CRDS00867	02	HUB CAP	ENJOLIVEUR	HABENDECKEL	TAPA EJE	COPRIMOZZO	
02	M20204	02	WASHER	RONDELLE	DICHTUNG	ARANDELLA	RONDELLA	
03	B. RUOT00037	02	WHEEL	ROUE	LAUFRAD	RUEDA	RUOTA	
04	B. CRDS00868	02	HUB CAP	ENJOLIVEUR	HABENDECKEL	TAPA EJE	COPRIMOZZO	
05	M20203	02	WASHER	RONDELLE	DICHTUNG	ARANDELLA	RONDELLA	
06	B. RUOT00036	02	WHEEL	ROUE	LAUFRAD	RUEDA	RUOTA	
07	B. CRDS00896	02	BRACKET	ENTRIER	BUGEL	GRAPA	STAFFA	500/15E PLUS - 200/41E PLUS
07	B. CRVR00731	02	BRACKET	ENTRIER	BUGEL	GRAPA	STAFFA	
08	B. CRDS00894	01	AXLE	AXE	ACHESE	EJE	ASSE	500/15E PLUS - 200/41E PLUS
08	B. CRVR00730	01	AXLE	AXE	ACHESE	EJE	ASSE	
09	B. CRVR00734	01	PLATE	PLAQUE	PLATTE	SOPORTE	PIASTRA	500/15 4S
10	121AC132	01	BATTERY	BATTERIE	BATTERIE	BATERIA	BATTERIA	OPTIONAL 500/15 4S
11	B. CRDS00895	02	BRACKET	ENTRIER	BUGEL	GRAPA	STAFFA	500/15E PLUS - 200/41E PLUS
11	B. CRVR00732	02	BRACKET	ENTRIER	BUGEL	GRAPA	STAFFA	
12	B. CRDS00898	01	PLATE	PLAQUE	PLATTE	SOPORTE	PIASTRA	500/15E PLUS - 200/41E PLUS
12	B. CRVR00727	01	PLATE	PLAQUE	PLATTE	SOPORTE	PIASTRA	500/15E - 200/41E
13	B. CMSP00111	04	VIBRATION DAMP.	AMORTISATEUR	SCHVINGUNSDAMP.	ANTIVIBRANTE	ANTIVIBRANTE	500/15E - 200/41E - PLUS
14	B. CRDS00899	01	REINFORCEMENT	RENFORT	VERSTARKUNG	REFUERZO	RINFORZO	500/15E PLUS - 200/41E PLUS
14	B. CRVR00728	01	REINFORCEMENT	RENFORT	VERSTARKUNG	REFUERZO	RINFORZO	
15	B. CRDS00900	01	PLATE	PLAQUE	PLATTE	SOPORTE	PIASTRA	500/15E PLUS - 200/41E PLUS
15	B. CRVR00010	01	PLATE	PLAQUE	PLATTE	SOPORTE	PIASTRA	500/15E - 200/41E
16	B. CRDS00891	02	FRAME	CHASSIS	GERUST	CHASIS	TELAIO	500/15E PLUS - 200/41E PLUS
16	B. CRVR00724	02	FRAME	CHASSIS	GERUST	CHASIS	TELAIO	
17	B. CRDS00869	04	HOOK	CROCHET	HAKEN	GANCHO	GANCIO	500/15 4S
17	B. CRDS00869	02	HOOK	CROCHET	HAKEN	GANCHO	GANCIO	
18	B. CRDS00871	01	BRACKET	ENTRIER	BUGEL	GRAPA	STAFFA	
19	B. MOLL00027	01	SPRING	RESSORT	FEDER	MUELLE	MOLLA	
20	B. CRDS00872	01	LEVER	LEVIER	HEBEL	PALANCA	LEVA	
21	B. CMSP00038	01	VIBRATION DAMP.	AMORTISATEUR	SCHVINGUNSDAMP.	ANTIVIBRANTE	ANTIVIBRANTE	
22	B. PLDS00325	01	SUPPORT	SUPPORT	HALTER	SOPORTE	SUPPORTO	200/41E - 200/41E PLUS
22	B. PLDS00325-R	01	SUPPORT	SUPPORT	HALTER	SOPORTE	SUPPORTO	500/15E - 500/15E PLUS - 500/15 4S
23	B. CRDS00890	01	HOOD	CAPOT	HAUBE	COFRE	COFANO	altri / other
23	B. CRDS00908	01	HOOD	CAPOT	HAUBE	COFRE	COFANO	500/15 4S
24	B. VTRD00001	04	WASHER	RONDELLE	DICHTUNG	ARANDELLA	RONDELLA	
25	B. CRDS00886	01	HOOD	CAPOT	HAUBE	COFRE	COFANO	
26	01AC422	01	GRIP	POIGNEE	HANDGRIFF	EMPUNADURA	IMPUGNATURA	200/41E - 200/41E PLUS
27	I50442	01	NOZZLE	BUSE	DUSE	BOQUILLA	UGELLO	500/15E - 500/15E PLUS - 500/15 4S
27	I50278	01	NOZZLE	BUSE	DUSE	BOQUILLA	UGELLO	200/41E - 200/41E PLUS
28	01AC419	01	LANCE	LANCE	LANZEN	LANZA	LANCIA	200/41E - 200/41E PLUS
29	01AC507	01	GRIP	POIGNEE	HANDGRIFF	EMPUNADURA	IMPUGNATURA	500/15E - 500/15E PLUS - 500/15 4S
30	01AC504	01	LANCE	LANCE	LANZEN	LANZA	LANCIA	500/15E - 500/15E PLUS - 500/15 4S
31	B. CMMP00156	01	WING NUT	ELROU A AILETT.	FLUGELMUTTER	CHAVETA	GALLETTO	
32	B. CMMP00001	01	GRIP	POIGNEE	HANDGRIFF	EMPUNADURA	IMPUGNATURA	
33	B. TNPE00050	01	LEVER	LEVIER	HEBEL	PALANCA	LEVA	
34	B. CRDS00834	02	SUPPORT	SUPPORT	HALTER	SOPORTE	SUPPORTO	
35	B. PLDS00341	02	SPACER	ENTRETOISE	DISTANZSTUCK	DISTANCIADOR	DISTANZIALE	
36	B. CRDS00825	01	DISK	DISQUE	SCHEIBE	DISCO	DISCO	
37	B. CRDS00829	02	BODY	CORPS	KORPER	CUERPO	CORPO	
38	01AC502	01	HOSE	TUYAU	ROHR	TUBO	TUBO	200/41E
38	01AC500	01	HOSE	TUYAU	ROHR	TUBO	TUBO	500/15E - 500/15 4S
38	01AC503	01	HOSE	TUYAU	ROHR	TUBO	TUBO	200/41E PLUS
38	01AC501	01	HOSE	TUYAU	ROHR	TUBO	TUBO	500/15E PLUS
39	B. CRDS00826	01	DISK	DISQUE	SCHEIBE	DISCO	DISCO	
40	B. RCVR00207	01	CONNECTOR	RACCORD	VERBIND. STUCK	RACORD	RACCORDO	
41	I20102	01	NIPPLE	NIPPLE	NIPPEL	NIPLO	NIPPLIO	
42	B. TURR00042	01	HOSE	TUYAU	ROHR	TUBO	TUBO	200/41E - 200/41E PLUS
42	B. TURR00047	01	HOSE	TUYAU	ROHR	TUBO	TUBO	500/15E - 500/15E PLUS - 500/15 4S
43	B. CRDS00914	01	BRACKET	ENTRIER	BUGEL	GRAPA	STAFFA	OPTIONAL ONLY 500/15 4S
44	01AC470	01	HOSE REEL	ENROULEUR	SCHLAUCHAUFROL.	ENROLADOR	AVVOLGITUBO	PLUS - OPTIONAL
45	B. CRDS00892	01	HANDLE	POIGNEE	SCHAKEL	MANILLAR	MANIGLIONE	500/15E PLUS - 200/41E PLUS
45	B. CRVR00725	01	HANDLE	POIGNEE	SCHAKEL	MANILLAR	MANIGLIONE	
46	B. CRDS00905	01	SUPPORT	SUPPORT	HALTER	SOPORTE	SUPPORTO	

03/09/2015

ASS. MAGNUM

EXPLODED VIEW

TABLE N° EXPL00134

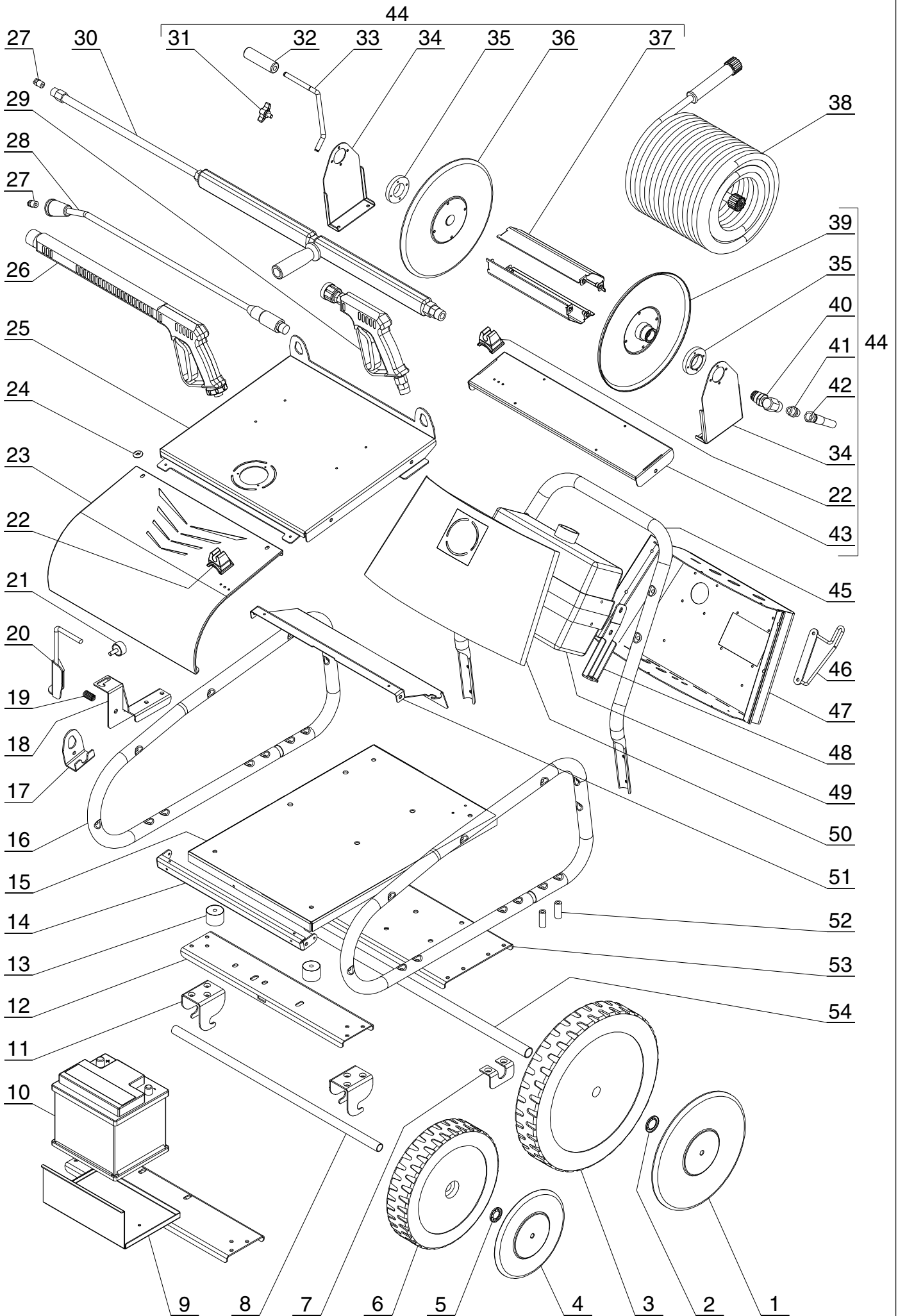


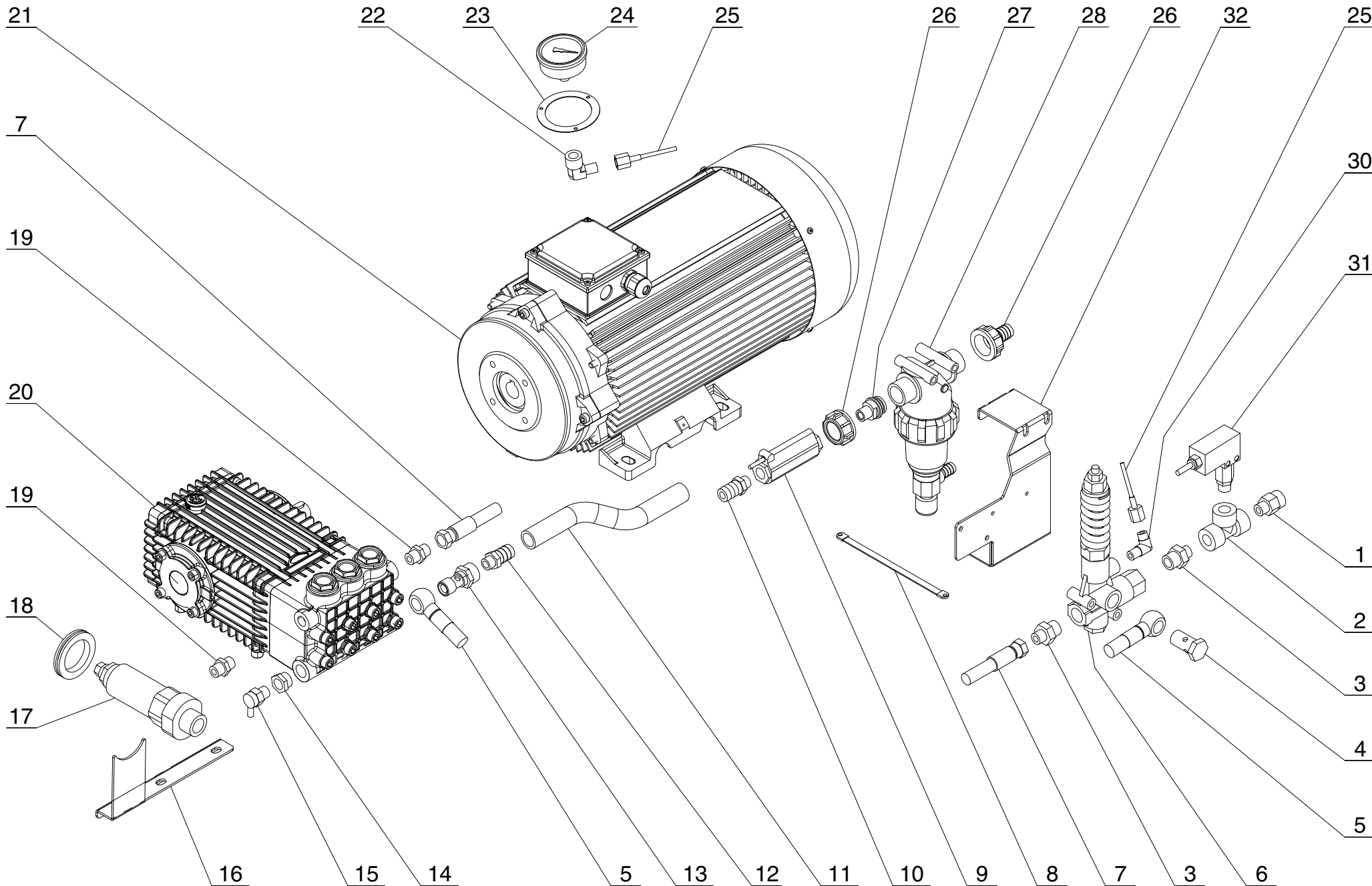
TABLE N° EXPL00134

SPARE PARTS LIST

MAGNUM TELAIO

31/03/2017

REF	CODE	QTY	DESCRIPTION	DENOMINATION	BESCHREIBUNG	DESCRIPCION	DESCRIZIONE	TECNICAL FEATURES
47	B. CRDS00888	01	INSTRUM. PANEL	TAB. DE BORD	ARM. BRETT	CRUSCOTTO	CRUSCOTTO	
47	B. CRDS00910	01	INSTRUM. PANEL	TAB. DE BORD	ARM. BRETT	CRUSCOTTO	CRUSCOTTO	500/15 4S
48	B. CRDS00911	02	BRACKET	ENTRIER	BUGEL	GRAPA	STAFFA	500/15 4S
49	B. CMMP00161	01	TANK	RESERVOIR	TANK	DEPOSITO	SERBATOIO	500/15 4S
50	B. CRDS00887	01	INSTRUM. PANEL	TAB. DE BORD	ARM. BRETT	CRUSCOTTO	CRUSCOTTO	
50	B. CRDS00909	01	INSTRUM. PANEL	TAB. DE BORD	ARM. BRETT	CRUSCOTTO	CRUSCOTTO	500/15 4S
51	B. CRVR00740	01	DEFLECTOR	DÉFLECTEUR	UMLENKBLECH	DESVIACIÓN	DEFLETTORE	500/15 4S
52	B. TNBD00057	04	SPACER	ENTRETOISE	DISTANZSTUCK	DISTANCIADOR	DISTANZIALE	
53	B. CRDS00897	01	PLATE	PLAQUE	PLATTE	SOPORTE	PIASTRA	500/15E PLUS - 200/41E PLUS
53	B. CRVR00726	01	PLATE	PLAQUE	PLATTE	SOPORTE	PIASTRA	
54	B. CRDS00893	01	AXLE	AXE	ACHESE	EJE	ASSE	500/15E PLUS - 200/41E PLUS
54	B. CRVR00729	01	AXLE	AXE	ACHESE	EJE	ASSE	



REF	CODE	QTY	DESCRIPTION	DENOMINATION	BESCHREIBUNG	DESCRIPCION	DESCRIZIONE	TECNICAL FEATURES
01	I20907	01	CONNECTOR	RACCORD	VERBIND. STUCK	RACORD	RACCORDO	
02	B. RCVR00226	01	COLLECTOR	COLLECTOR	COLLECTOR	COLECTOR	COLLETORE	
03	B. RCVR00225	02	NIPPLE	NIPPLE	NIPPEL	NIPLO	NIPPLO	
04	B. RCVR00023	01	SCREW	VIS CREUSE	HOHSCHRAUBE	TORNILLO HUECO	VITE CAVA	
05	B. TURR00048	01	HOSE	TUYAU	ROHR	TUBO	TUBO	
06	B. VLRG00032	01	VALVE	SOUPAPE	VENTIL	VALVULA	VALVOLA	
07	B. TURR00043	01	HOSE	TUYAU	ROHR	TUBO	TUBO	
08	B. MEVR00330	01	PLATE	PLAQUE	PLATTE	SOPORTE	PIASTRA	
09	B. MEFL00005	01	FLOW SWITCH	FLUSSOSTAT	STROMUNGSWACHTE	INT. DE FLUJO	FLUSSOSTATO	
10	B. RCVR00234	01	CONNECTOR	RACCORD	VERBIND. STUCK	RACORD	RACCORDO	
11	B. TURR00041	01	HOSE	TUYAU	ROHR	TUBO	TUBO	
12	B. RCVR00220	01	CONNECTOR	RACCORD	VERBIND. STUCK	RACORD	RACCORDO	
13	B. RCVR00202	01	SCREW	VIS CREUSE	HOHSCHRAUBE	TORNILLO HUECO	VITE CAVA	
14	I20201	01	REDUCTION	RÉDUCTION	VERKLEINERUNG	REDUCCIÓN	RIDUZIONE	
15	E50414	01	VALVE	SOUPAPE	VENTIL	VALVULA	VALVOLA	
16	B. CRDS00889	01	BRACKET	ENTRIER	BUGEL	GRAPA	STAFFA	
17	B. VLRG00033	01	VALVE	SOUPAPE	VENTIL	VALVULA	VALVOLA	
18	B. GUAR00139	01	GASKET	GARNITURE	DICHTUNG	GUARNICION	GUARNIZIONE	
19	B. RCVR00224	02	NIPPLE	NIPPLE	NIPPEL	NIPLO	NIPPLO	
20	B. POMP00043	01	PUMP	POMPE	PUMPE	BOMBA	POMPA	
21	B. MOAC00065	01	MOTOR	MOTEUR	MOTOR	MOTOR	MOTORE	
22	B. RCVR00228	01	CONNECTOR	RACCORD	VERBIND. STUCK	RACORD	RACCORDO	
23	B. CMSP00116	01	FLANGE	BRIDE	FLANSCH	BRIDA	FLANGIA	
24	S10321	01	PRESSURE GAUGE	MANOMETRE	DRUCKMESSER	MANOMETRO	MANOMETRO	
25	B. TURR00051	01	HOSE	TUYAU	ROHR	TUBO	TUBO	
26	B. RCVR00232	02	CONNECTOR	RACCORD	VERBIND. STUCK	RACORD	RACCORDO	
27	B. RCVR00221	01	CONNECTOR	RACCORD	VERBIND. STUCK	RACORD	RACCORDO	
28	B. FILT00034	01	FILTER	FILTRE	FILTER	FILTRO	FILTRO	
29	B. CRDS00901	01	PLATE	PLAQUE	PLATTE	SOPORTE	PIASTRA	
30	B. RCVR00227	01	CONNECTOR	RACCORD	VERBIND. STUCK	RACORD	RACCORDO	
31	B. MEIP00061	01	PRESSURE SWITCH	PRESSOSTAT	DRUCKSCHALTER	INTERR. PRESIÓN	PRESSOSTATO	

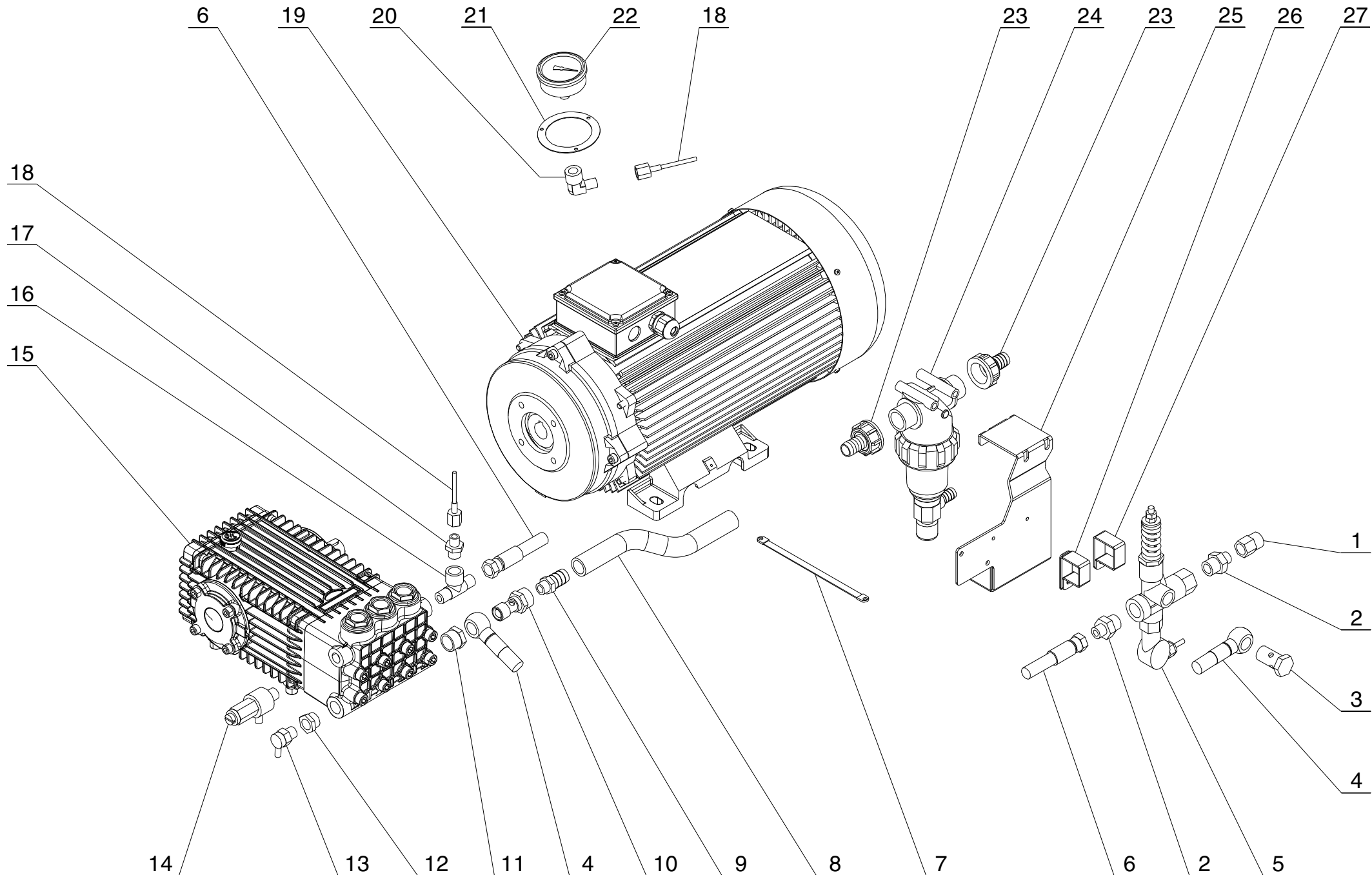


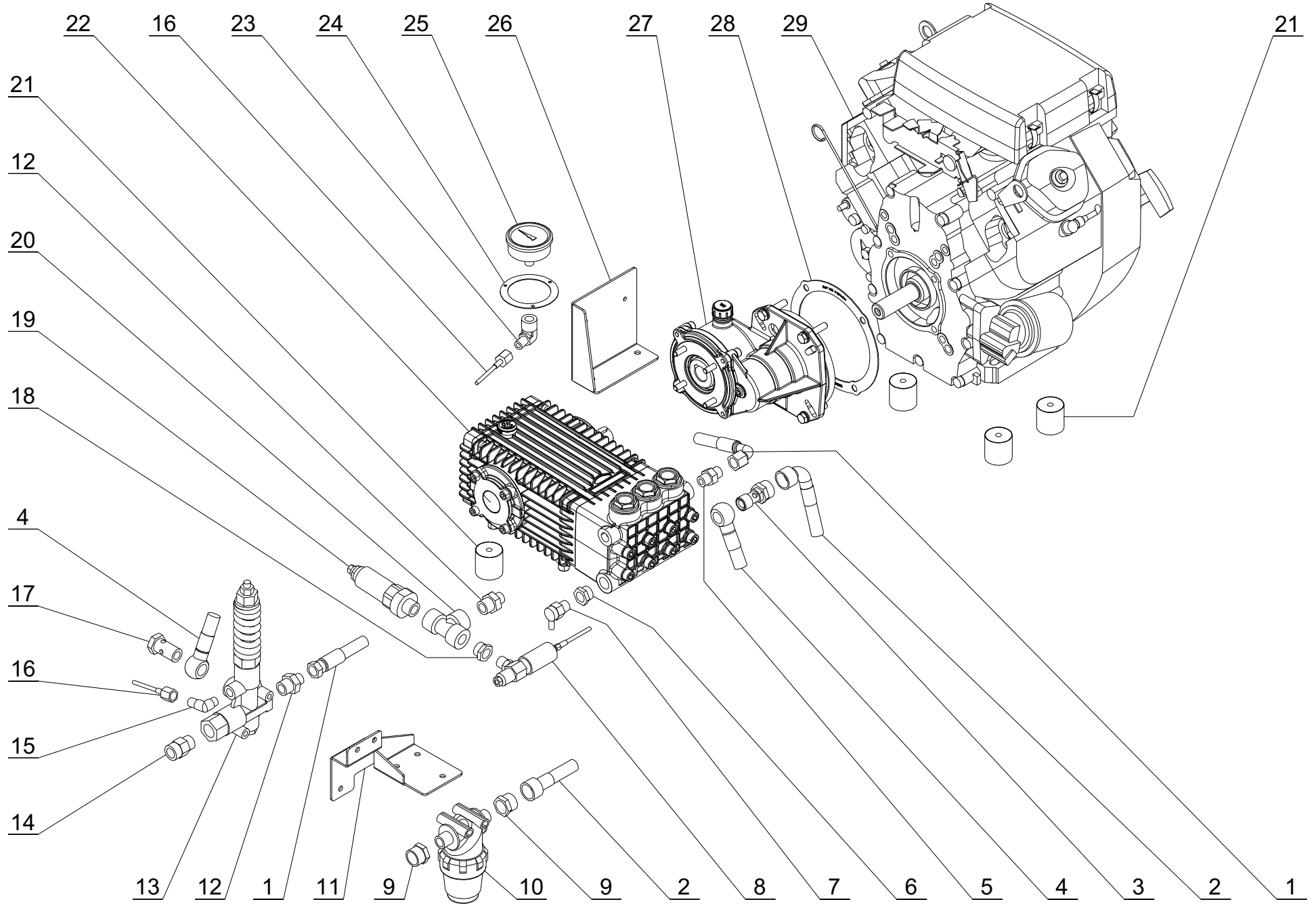
TABLE N° EXPL00136

SPARE PARTS LIST

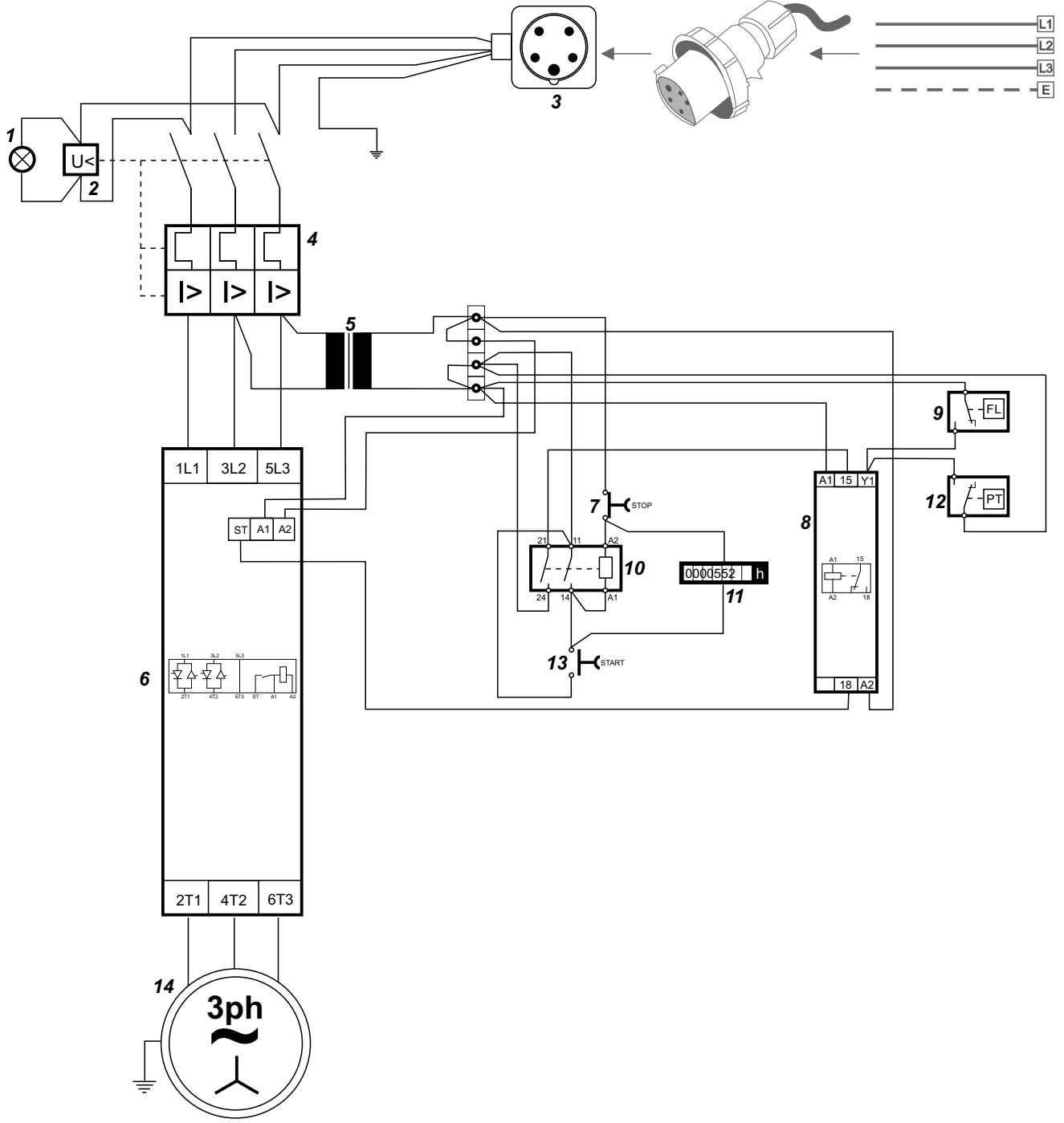
PUMP – MOTOR MAGNUM 200/41E - 200/41E PLUS

03/09/2015

REF	CODE	QTY	DESCRIPTION	DENOMINATION	BESCHREIBUNG	DESCRIPCION	DESCRIZIONE	TECNICAL FEATURES
01	I20902	01	CONNECTOR	RACCORD	VERBIND. STUCK	RACORD	RACCORDO	
02	I20105	02	NIPPLE	NIPPLE	NIPPEL	NIPLO	NIPPLO	
03	B. RCVR00023	01	SCREW	VIS CREUSE	HOHSCHRAUBE	TORNILLO HUECO	VITE CAVA	
04	B. TURR00048	01	HOSE	TUYAU	ROHR	TUBO	TUBO	
05	B. VLRG00034	01	VALVE	SOUPAPE	VENTIL	VALVULA	VALVOLA	
06	B. TURR00049	01	HOSE	TUYAU	ROHR	TUBO	TUBO	
07	B. MEVR00330	01	PLATE	PLAQUE	PLATTE	SOPORTE	PIASTRA	
08	B. TURR00050	01	HOSE	TUYAU	ROHR	TUBO	TUBO	
09	B. RCVR00220	01	CONNECTOR	RACCORD	VERBIND. STUCK	RACORD	RACCORDO	
10	B. RCVR00202	01	SCREW	VIS CREUSE	HOHSCHRAUBE	TORNILLO HUECO	VITE CAVA	
11	I20204	01	REDUCTION	RÉDUCTION	VERKLEINERUNG	REDUCCIÓN	RIDUZIONE	
12	I20201	01	REDUCTION	RÉDUCTION	VERKLEINERUNG	REDUCCIÓN	RIDUZIONE	
13	E50414	01	VALVE	SOUPAPE	VENTIL	VALVULA	VALVOLA	
14	B. VLRG00027	01	VALVE	SOUPAPE	VENTIL	VALVULA	VALVOLA	
15	B. POMP00022	01	PUMP	POMPE	PUMPE	BOMBA	POMPA	
16	B. RCVR00212	01	COLLECTOR	COLLECTOR	COLLECTOR	COLECTOR	COLLETTORE	
17	I20103	01	NIPPLE	NIPPLE	NIPPEL	NIPLO	NIPPLO	
18	B. TURR00051	01	HOSE	TUYAU	ROHR	TUBO	TUBO	
19	B. MOAC00065	01	MOTOR	MOTEUR	MOTOR	MOTOR	MOTORE	
20	B. RCVR00000	01	CONNECTOR	RACCORD	VERBIND. STUCK	RACORD	RACCORDO	
21	B. CMSP00116	01	FLANGE	BRIDE	FLANSCH	BRIDA	FLANGIA	
22	S10319	01	PRESSURE GAUGE	MANOMETRE	DRUCKMESSER	MANOMETRO	MANOMETRO	
23	B. RCVR00232	02	CONNECTOR	RACCORD	VERBIND. STUCK	RACORD	RACCORDO	
24	B. FILT00034	01	FILTER	FILTRE	FILTER	FILTRO	FILTRO	
25	B. CRDS00901	01	PLATE	PLAQUE	PLATTE	SOPORTE	PIASTRA	
26	B. CRDS00919	01	BRACKET	ENTRIER	BUGEL	GRAPA	STAFFA	
27	B. CRDS00918	01	BRACKET	ENTRIER	BUGEL	GRAPA	STAFFA	



REF	CODE	QTY	DESCRIPTION	DENOMINATION	BESCHREIBUNG	DESCRIPCION	DESCRIZIONE	TECNICAL FEATURES
01	B. TURR00046	01	HOSE	TUYAU	ROHR	TUBO	TUBO	
02	B. TURR00052	01	HOSE	TUYAU	ROHR	TUBO	TUBO	
03	B. RCVR00171	01	SCREW	VIS CREUSE	HOHSCHRAUBE	TORNILLO HUECO	VITE CAVA	
04	B. TURR00048	01	HOSE	TUYAU	ROHR	TUBO	TUBO	
05	B. RCVR00224	01	NIPPLE	NIPPLE	NIPPEL	NIPLO	NIPPLO	
06	I20201	02	REDUCTION	RÉDUCTION	VERKLEINERUNG	REDUCCIÓN	RIDUZIONE	
07	E50414	01	VALVE	SOUPAPE	VENTIL	VALVULA	VALVOLA	
08	B. VLRG00031	01	DECELERATOR	DECELERATEUR	DROSSLER	DESACELERADOR	DECELERATORE	
09	I20204	02	REDUCTION	RÉDUCTION	VERKLEINERUNG	REDUCCIÓN	RIDUZIONE	
10	B. FILT00037	01	FILTER	FILTRE	FILTER	FILTRO	FILTRO	
11	B. CRDS00915	01	BRACKET	ENTRIER	BUGEL	GRAPA	STAFFA	
12	B. RCVR00225	02	NIPPLE	NIPPLE	NIPPEL	NIPLO	NIPPLO	
13	B. VLRG00032	01	VALVE	SOUPAPE	VENTIL	VALVULA	VALVOLA	
14	I20908	01	CONNECTOR	RACCORD	VERBIND. STUCK	RACORD	RACCORDO	
15	B. RCVR00227	01	CONNECTOR	RACCORD	VERBIND. STUCK	RACORD	RACCORDO	
16	B. TURR00051	01	HOSE	TUYAU	ROHR	TUBO	TUBO	
17	B. RCVR00023	01	SCREW	VIS CREUSE	HOHSCHRAUBE	TORNILLO HUECO	VITE CAVA	
18	I20217	01	REDUCTION	RÉDUCTION	VERKLEINERUNG	REDUCCIÓN	RIDUZIONE	
19	B. VLRG00035	01	VALVE	SOUPAPE	VENTIL	VALVULA	VALVOLA	
20	B. RCVR00235	01	COLLECTOR	COLLECTOR	COLLECTOR	COLECTOR	COLLETTORE	
21	B. CMSP00113	06	VIBRATION DAMP.	AMORTISATEUR	SCHVINGUNSDAMP.	ANTIVIBRANTE	ANTIVIBRANTE	
22	B. POMP00043	01	PUMP	POMPE	PUMPE	BOMBA	POMPA	
23	B. RCVR00228	01	CONNECTOR	RACCORD	VERBIND. STUCK	RACORD	RACCORDO	
24	B. CMSP00116	01	FLANGE	BRIDE	FLANSCH	BRIDA	FLANGIA	
25	S10321	01	PRESSURE GAUGE	MANOMETRE	DRUCKMESSER	MANOMETRO	MANOMETRO	
26	B. CRDS00913	01	BRACKET	ENTRIER	BUGEL	GRAPA	STAFFA	
27	B. RIDT00004	01	GEARBOX	REDUCTEUR	GETRIEB	REDUCTOR	RIDUTTORE	
28	B. CRDS00921	01	SHIM	RONDELLE	PASSSCHEIBE	DISTANCIADOR	SPESSORE	
29	B. MOSC00007	01	MOTOR	MOTEUR	MOTOR	MOTOR	MOTORE	



REF	CODE	QTY	DESCRIPTION	DENOMINATION	BESCHREIBUNG	DESCRIPCION	DESCRIZIONE	TECNICAL FEATURES
01		01	GAUGE	JAUGE	MESSER	INDICADOR	SPIA	
02	B. MEIP00063	01	COIL	BOBINE	SPULE	BOBINA	BOBINA	
03	E20693	01	PLUG	FICHE	STECKDOSEN	ENCHUFE	SPINA	CEE 32A
04	B. MEIP00062	01	SWITCH	INTERRUPTEUR	SCHALTER	INTERRUPTOR	INTERRUTTORE	25/32A
05	B. METR00028	01	TRANSFORMER	TRANSFORMATEUR	TRANSFORMER	TRANSFORMADOR	TRASFORMATORE	400/24V - 25VA
06	B. METR00039	01	SOFT STARTER	SOFT STARTER	SOFT STARTER	SOFT STARTER	SOFT STARTER	WITH FAN
07		01	PUSH-SWITCH	POUSSER INTERR.	SCHALTER BETÄT.	INTERR. A BOTON	PULSANTE	STOP
08	B. MESC00027	01	TIMER	TIMER	TIMER	TIMER	TIMER	TOTAL STOP
09	B. MEFL00005	01	FLOW SWITCH	FLUSSOSTAT	STROMUNGSWACHTE	INT. DE FLUJO	FLUSSOSTATO	
10	B. METR00044	01	RELAY	RELAIS	RELAIS	RELE'	RELE'	
11	B. MESH00005	01	HOURMETERS	COMPTEURS HORA.	ZEITZÄHLER	CONTAD. HORA.	CONTAORE	
12	B. MEIP00061	01	PRESSURE SWITCH	PRESSOSTAT	DRUCKSCHALTER	INTERR. PRESIÓN	PRESSOSTATO	
13		01	PUSH-SWITCH	POUSSER INTERR.	SCHALTER BETÄT.	INTERR. A BOTON	PULSANTE	START



BIEMMEDUE S.p.A. - Via Industria, 12 - 12062 - CHERASCO (CN) - Italy
Tel. +39 0172 486111 - Fax +39 0172 488270
www.biemmedue.com - e-mail: bm2@biemmedue.com