

MIDIA - MIDIA PLUS

Idropulitrice acqua fredda - Nettoyeur à eau froide
Kaltwasser-Hochdruckreiniger - Cold water high pressure washer
Hidrolimpiadora agua fría



L-LC076.00-BM



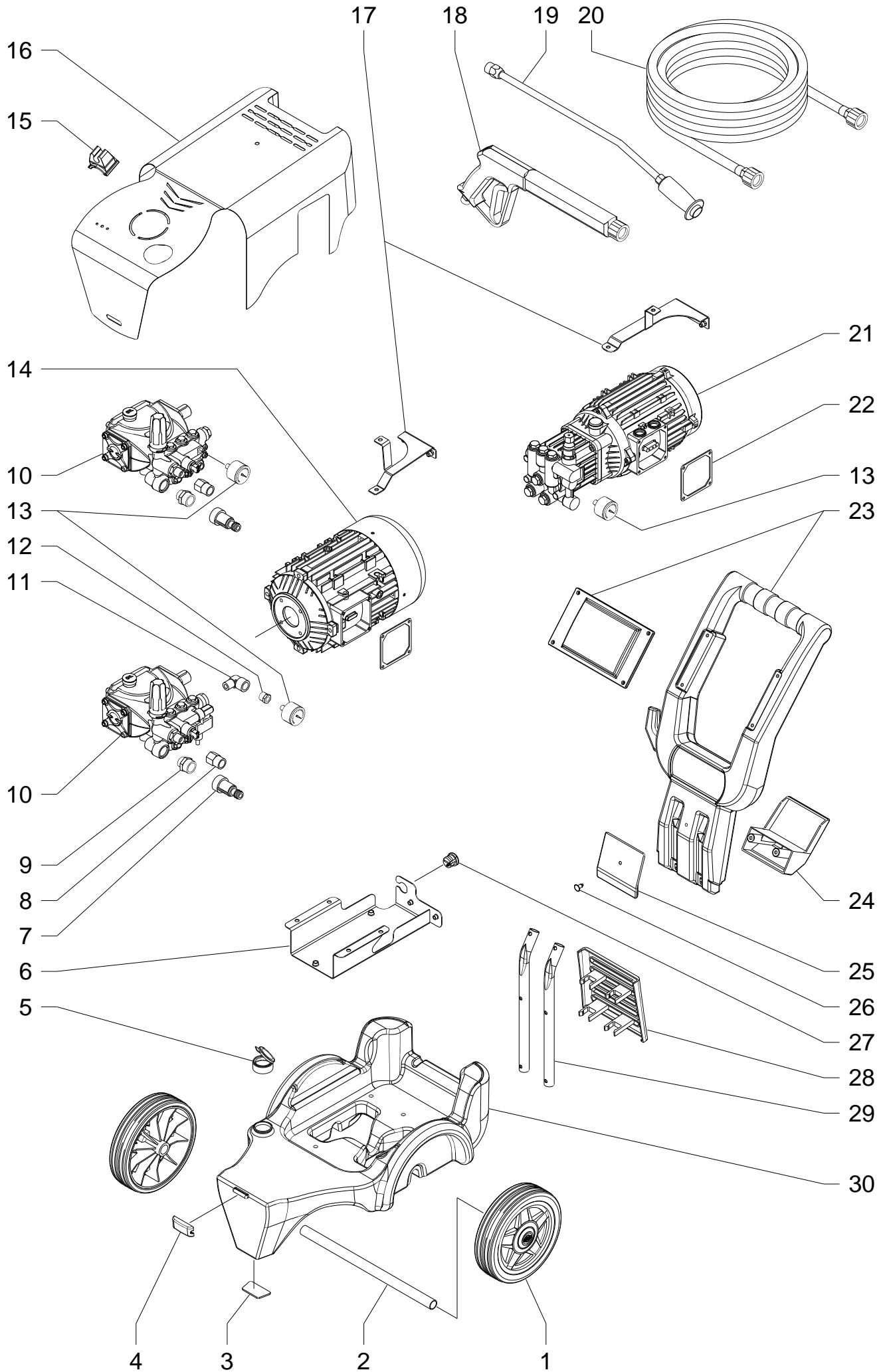
**CATALOGO RICAMBI
SPARE PARTS CATALOGUE
CATALOGUE DES PIECES DE RECHANGE
ERSATZTEILKATALOG
CATALOGO PIEZAS DE REPUESTO**

08/02/2017

ASS MIDIA BP / TS

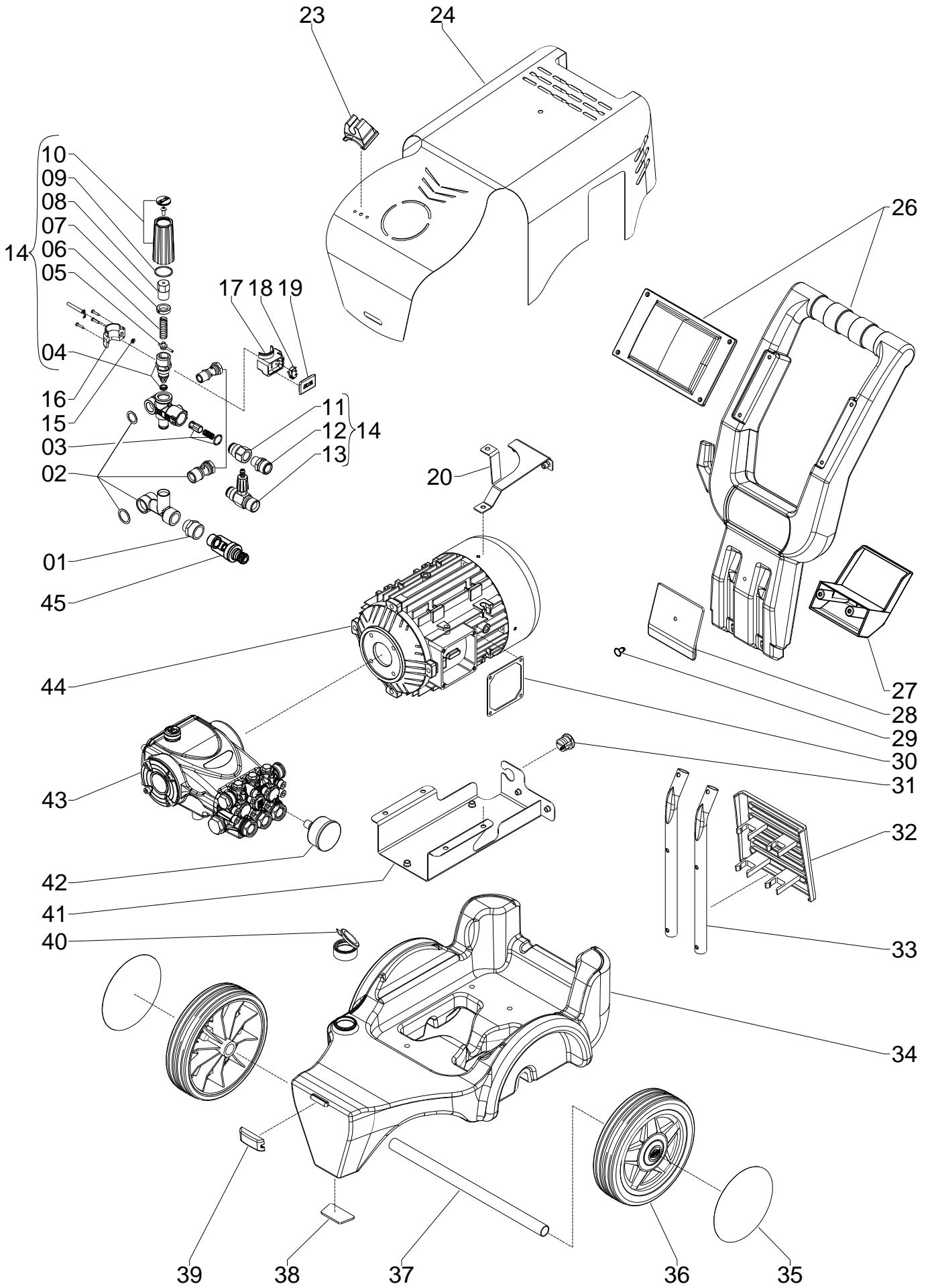
EXPLODED VIEW

TABLE N° EXPL00126B



REF	CODE	QTY	DESCRIPTION	DENOMINATION	BESCHREIBUNG	DESCRIPCION	DESCRIZIONE	TECNICAL FEATURES
01	B. RUOT00035	02	WHEEL	ROUE	LAUFRAD	RUEDA	RUOTA	
02	B. CRZN00680	01	AXLE	AXE	ACHESE	EJE	ASSE	
03	B. GUAR00142	01	PROTECTION	PROTECTION	SCHUTZ	PROTECCION	PROTEZIONE	
04	B. PLDS00349	01	DRAW LATCHERS	VERROUS	BETRAG-VERRIEG.	CIERRES	CHIUSURA	
05	B. CMMP00157	01	CAP	BOUCHON	VERSCHLUSS	TAPPO	TAPPO	
06	B. CRDS00854	01	SUPPORT	SUPPORT	HALTER	SOPORTE	SUPPORTO	100 mm ENGINES (MIDIA TS)
06	B. CRDS00856	01	SUPPORT	SUPPORT	HALTER	SOPORTE	SUPPORTO	90 mm ENGINES (MIDIA BP - 150.9)
07	B. RCVR00215	01	FILTER	FILTRE	FILTER	FILTRO	FILTRO	
08	I20902	01	CONNECTOR	RACCORD	VERBIND. STUCK	RACORD	RACCORDO	
09	B. RCVR00173	01	NIPPLE	NIPPLE	NIPPEL	NIPLO	NIPPLO	
10	B. POMP00069	01	PUMP	POMPE	PUMPE	BOMBA	POMPA	TS 130.10
10	B. POMP00066	01	PUMP	POMPE	PUMPE	BOMBA	POMPA	BP 130.10
10	B. POMP00067	01	PUMP	POMPE	PUMPE	BOMBA	POMPA	BP 190.13
10	B. POMP00070	01	PUMP	POMPE	PUMPE	BOMBA	POMPA	TS 190.13
10	B. POMP00071	01	PUMP	POMPE	PUMPE	BOMBA	POMPA	TS 160.15 - 200.15
10	B. POMP00068	01	PUMP	POMPE	PUMPE	BOMBA	POMPA	BP 150.15
11	I30711	01	CONNECTOR	RACCORD	VERBIND. STUCK	RACORD	RACCORDO	
12	I20216	01	REDUCTION	RÉDUCTION	VERKLEINERUNG	REDUCCIÓN	RIDUZIONE	
13	S10311	01	PRESSURE GAUGE	MANOMETRE	DRUCKMESSER	MANOMETRO	MANOMETRO	130.10 - 150.9 - 150.15 - 160.15
13	S10322	01	PRESSURE GAUGE	MANOMETRE	DRUCKMESSER	MANOMETRO	MANOMETRO	190.13 - 200.15
14	B. MOAC00058	01	MOTOR	MOTEUR	MOTOR	MOTOR	MOTORE	BP 150.15 - 190.13
14	B. MOAC00061	01	MOTOR	MOTEUR	MOTOR	MOTOR	MOTORE	TS 200.15
14	B. MOAC00059	01	MOTOR	MOTEUR	MOTOR	MOTOR	MOTORE	TS 130.10
14	B. MOAC00057	01	MOTOR	MOTEUR	MOTOR	MOTOR	MOTORE	BP 130.10
14	B. MOAC00060	01	MOTOR	MOTEUR	MOTOR	MOTOR	MOTORE	TS 160.15 - 190.13
15	B. PLDS00325	01	SUPPORT	SUPPORT	HALTER	SOPORTE	SUPPORTO	
16	B. CRDS00852	01	HOOD	CAPOT	HAUBE	COFRE	COFANO	MIDIA TS 150.9
16	B. CRDS00923	01	HOOD	CAPOT	HAUBE	COFRE	COFANO	altre / other
17	B. CRDS00855	01	TIE ROD	TIRANT	ZUGSTANGE	TIRANTE	TIRANTE	100 mm ENGINES (MIDIA TS)
17	B. CRDS00857	01	TIE ROD	TIRANT	ZUGSTANGE	TIRANTE	TIRANTE	90 mm ENGINES (MIDIA BP - 150.9)
18	01AC434	01	GRIP	POIGNEE	HANDGRIFF	EMPUNADURA	IMPUGNATURA	150.9 - 130.10
18	01AC435	01	GRIP	POIGNEE	HANDGRIFF	EMPUNADURA	IMPUGNATURA	150.15 - 160.15 - 190.13 - 200.15
19	01AC437	01	LANCE	LANCE	LANZEN	LANZA	LANCIA	130.10
19	01AC439	01	LANCE	LANCE	LANZEN	LANZA	LANCIA	190.13 - 200.15
19	01AC485	01	LANCE	LANCE	LANZEN	LANZA	LANCIA	150.9
19	01AC486	01	LANCE	LANCE	LANZEN	LANZA	LANCIA	150.15 - 160.15
20	01AC488	01	HOSE	TUYAU	ROHR	TUBO	TUBO	MIDIA TS
20	01AC489	01	HOSE	TUYAU	ROHR	TUBO	TUBO	MIDIA BP - 150.9
21	B. MTPM00015	01	MOTOR-PUMP	MOTOPOMPE	MOTOR-PUMPEN	MOTOBOMBA	MOTORE-POMPA	TS 150.9
22	B. CPMT00033	01	GASKET	GARNITURE	DICHTUNG	GUARNICION	GUARNIZIONE	
23	B. PLDS00339	01	HANDLE	POIGNEE	SCHAKEL	MANILLAR	MANIGLIONE	
24	B. CMMP00154	01	SUPPORT	SUPPORT	HALTER	SOPORTE	SUPPORTO	Per cavo / for cable
25	B. PLDS00350	01	COVER	COUVERCLE	DECKEL	TAPA	COPERCHIO	
26	B. CMMP00153	01	RIVET	RIVET	NIET	REMACHE	RIVETTO	
27	B. MEVR00322	01	CABLE FASTENER	PRÉSSE CABLE	KABEL FURNUNG	RETENEDOR	SERRACAVO	
28	B. CMMP00151	01	COVER	COUVERCLE	DECKEL	TAPA	COPERCHIO	
29	B. CRZN00679	02	HOSE	TUYAU	ROHR	TUBO	TUBO	Handle support
30	B. PLDS00347	01	TANK	RESERVOIR	TANK	DEPOSITO	SERBATOIO	

EXPLODED VIEW



REF	CODE	QTY	DESCRIPTION	DENOMINATION	BESCHREIBUNG	DESCRIPCION	DESCRIZIONE	TECNICAL FEATURES
01	B. RCVR00173	01	NIPPLE	NIPPLE	NIPPEL	NIPL0	NIPPL0	
02	B. VLRG00017	01	COLLECTOR	COLLECTOR	COLLECTOR	COLECTOR	COLLETTORE	KIT
03	TC 4079900014	01	SHUTTER	OBTURATEUR	SCHIEBER	OBTURATOR	OTTURATORE	KIT
04	TC 4079900014	01	CONNECTOR	RACCORD	VERBIND. STUCK	RACORD	RACCORDO	KIT
05	B. TNZN00025	01	CAP	COUPELLE	KLEINERTELLER	PLATILLO	PIATTELLO	
06	TC 010772019	01	SPRING	RESSORT	FEDER	MUELLE	MOLLA	
07	TC 014771020	01	RING NUT	FRETTE	NUTMUTTER	CASQUILLO	GHIERA	
08	TC B004C0000	01	BUSHING	DOUILLE	BUCHSE	MANGUITO	BOCCOLA	
09	B. GUAR00141	01	O-RING	O-RING	O-RING	O-RING	O-RING	
10	B. PLDS00345	01	KNOB	POIGNEE	VERSTELLGRIFF	MANOPOLA	MANOPOLA	
11	TC 011571226	01	CONNECTOR	RACCORD	VERBIND. STUCK	RACORD	RACCORDO	
12	I20920	01	NIPPLE	NIPPLE	NIPPEL	NIPL0	NIPPL0	
13		01	EJECTOR	ÉJECTEUR	DUSENEISATZ	EJECTOR	EIETTORE	
14	B. VLRG00024	01	VALVE	SOUPAPE	VENTIL	VALVULA	VALVOLA	KIT ricambi/spare parts (04; 05; ...; 13)
15	B. GUAR00134	01	O-RING	O-RING	O-RING	O-RING	O-RING	
16	B. PLDS00342	01	HOUSING	LOGEMENT	GEHÄUSE	VIVIENDA	GUSCIO	
17	B. PLDS00343	01	HOUSING	LOGEMENT	GEHÄUSE	VIVIENDA	GUSCIO	
18	B. MEIP00060	01	SWITCH	INTERRUPTEUR	SCHALTER	INTERRUPTOR	INTERRUPTORE	
19	B. PLDS00344	01	COVER	COUVERCLE	DECKEL	TAPA	COPERCHIO	
20	B. CRDS00855	01	TIE ROD	TIRANT	ZUGSTANGE	TIRANTE	TIRANTE	
23	B. PLDS00325	01	SUPPORT	SUPPORT	HALTER	SOPORTE	SUPPORTO	
24	B. CRDS00851	01	HOOD	CAPOT	HAUBE	COFRE	COFANO	
26	B. PLDS00339	01	HANDLE	POIGNEE	SCHAKEL	MANILLAR	MANIGLIONE	
27	B. CMMP00154	01	SUPPORT	SUPPORT	HALTER	SOPORTE	SUPPORTO	Per cavo / for cable
28	B. PLDS00350	01	COVER	COUVERCLE	DECKEL	TAPA	COPERCHIO	
29	B. CMMP00153	01	RIVET	RIVET	NIET	REMACHE	RIVETTO	
30	B. CPMT00033	01	GASKET	GARNITURE	DICHTUNG	GUARNICION	GUARNIZIONE	
31	B. MEVR00322	01	CABLE FASTENER	PRESSE CABLE	KABEL FURNUNG	RETENEDOR	SERRACAVO	
32	B. CMMP00151	01	COVER	COUVERCLE	DECKEL	TAPA	COPERCHIO	
33	B. CRZN00679	02	HOSE	TUYAU	ROHR	TUBO	TUBO	Handle support
34	B. PLDS00347	01	TANK	RESERVOIR	TANK	DEPOSITO	SERBATOIO	
35	B. CRDS00853	02	WHEEL COVER	COUVRE TOURNE	VERLANGERUNG	EMBELLECEDOR	COPRIRUOTA	
36	B. RUOT00035	02	WHEEL	ROUE	LAUFRAD	RUEDA	RUOTA	
37	B. CRZN00680	01	AXLE	AXE	ACHESE	EJE	ASSE	
38	B. GUAR00142	01	PROTECTION	PROTECTION	SCHUTZ	PROTECCION	PROTEZIONE	
39	B. PLDS00349	01	DRAW LATCHERS	VERROUS	BETRAG-VERRIEG.	CIERRES	CHIUSURA	
40	B. CMMP00157	01	CAP	BOUCHON	VERSCHLUSS	TAPPO	TAPPO	
41	B. CRDS00854	01	SUPPORT	SUPPORT	HALTER	SOPORTE	SUPPORTO	
42	S10322	01	PRESSURE GAUGE	MANOMETRE	DRUCKMESSER	MANOMETRO	MANOMETRO	PLUS 200.15
42	S10311	01	PRESSURE GAUGE	MANOMETRE	DRUCKMESSER	MANOMETRO	MANOMETRO	PLUS 130.10 - 160.15
43	B. POMP00028	01	PUMP	POMPE	PUMPE	BOMBA	POMPA	PLUS 160.15 - 200.15
43	B. POMP00033	01	PUMP	POMPE	PUMPE	BOMBA	POMPA	PLUS 130.10
44	B. MOAC00059	01	MOTOR	MOTEUR	MOTOR	MOTOR	MOTORE	PLUS 130.10
44	B. MOAC00060	01	MOTOR	MOTEUR	MOTOR	MOTOR	MOTORE	PLUS 160.15
44	B. MOAC00061	01	MOTOR	MOTEUR	MOTOR	MOTOR	MOTORE	PLUS 200.15
45	B. RCVR00215	01	FILTER	FILTRE	FILTER	FILTRO	FILTRO	

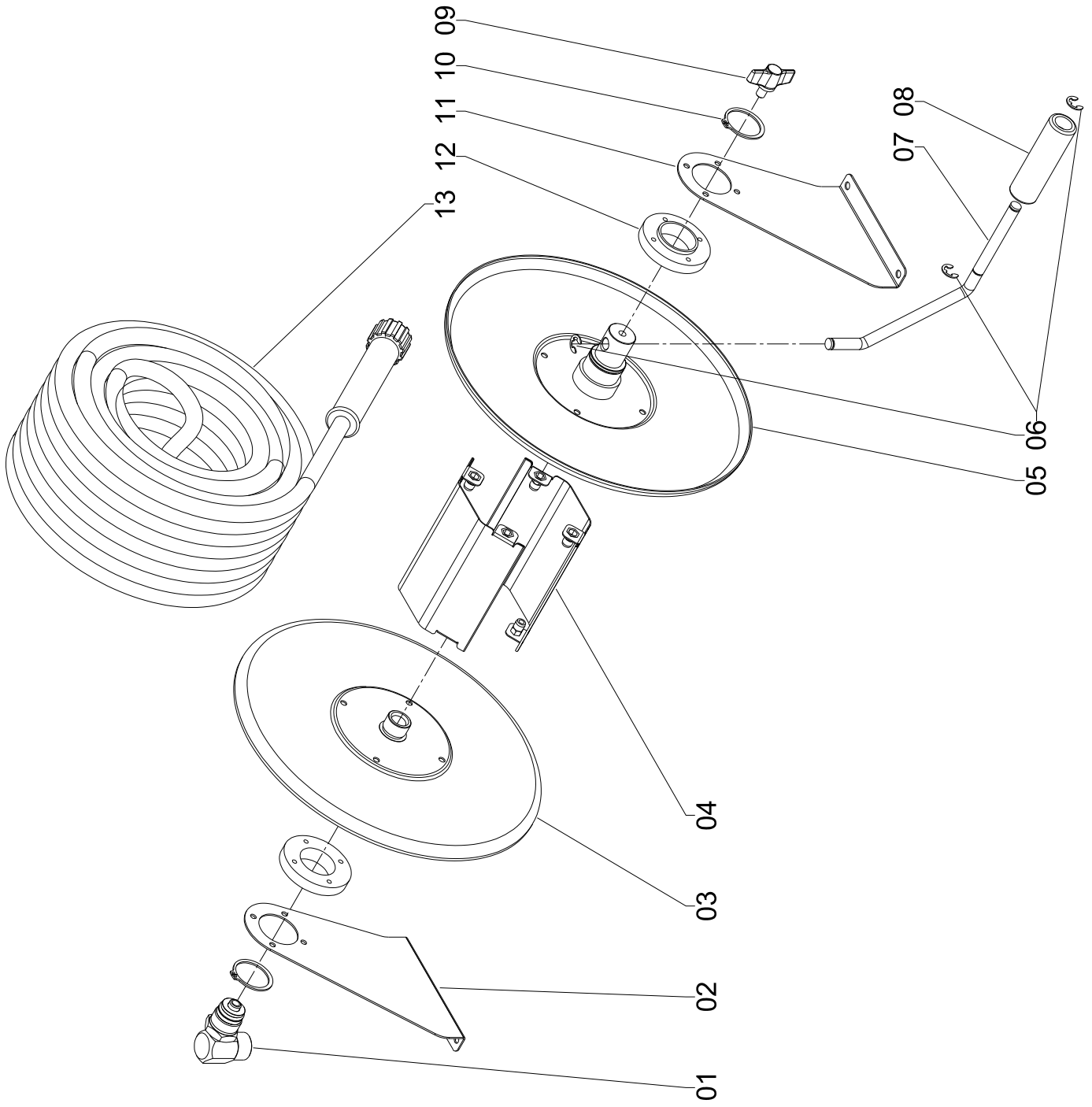


TABLE N° EXPL00128

SPARE PARTS LIST

HOSE REEL

09/12/2014

REF	CODE	QTY	DESCRIPTION	DENOMINATION	BESCHREIBUNG	DESCRIPCION	DESCRIZIONE	TECNICAL FEATURES
01	B. RCVR00207	01	FLEX. COUPLING	ACCOUPEMENT FL	FLEX. KOPPELUNG	ACOPLADOR FLEX.	GIUNTO	(O-RING: B.GUAR00144)
02	B. CRDS00836	01	SUPPORT	SUPPORT	HALTER	SOPORTE	SUPPORTO	
03	B. CRDS00826	01	DISK	DISQUE	SCHEIBE	DISCO	DISCO	
04	B. CRDS00827	01	BODY	CORPS	KORPER	CUERPO	CORPO	
05	B. CRDS00825	01	DISK	DISQUE	SCHEIBE	DISCO	DISCO	
06	B. VTAN00032	03	SEEGER	SEEGER	SEEGER	SEEGER	SEEGER	
07	B. TNPE00050	01	LEVER	LEVIER	HEBEL	PALANCA	LEVA	
08	B. CMMP00001	01	GRIP	POIGNEE	HANDGRIFF	EMPUNADURA	IMPUGNATURA	
09	B. CMMP00156	01	WING NUT	ELROU A AILETT.	FLUGELMUTTER	CHAVETA	GALLETTO	
10	B. VTAN00031	02	SEEGER	SEEGER	SEEGER	SEEGER	SEEGER	
11	B. CRDS00831	01	SUPPORT	SUPPORT	HALTER	SOPORTE	SUPPORTO	
12	B. PLDS00341	02	SPACER	ENTRETOISE	DISTANZSTUCK	DISTANCIADOR	DISTANZIALE	
13	01AC425	01	HOSE	TUYAU	ROHR	TUBO	TUBO	MIDIA PLUS 200.15
13	01AC381	01	HOSE	TUYAU	ROHR	TUBO	TUBO	MIDIA PLUS 130.10 - 160.15

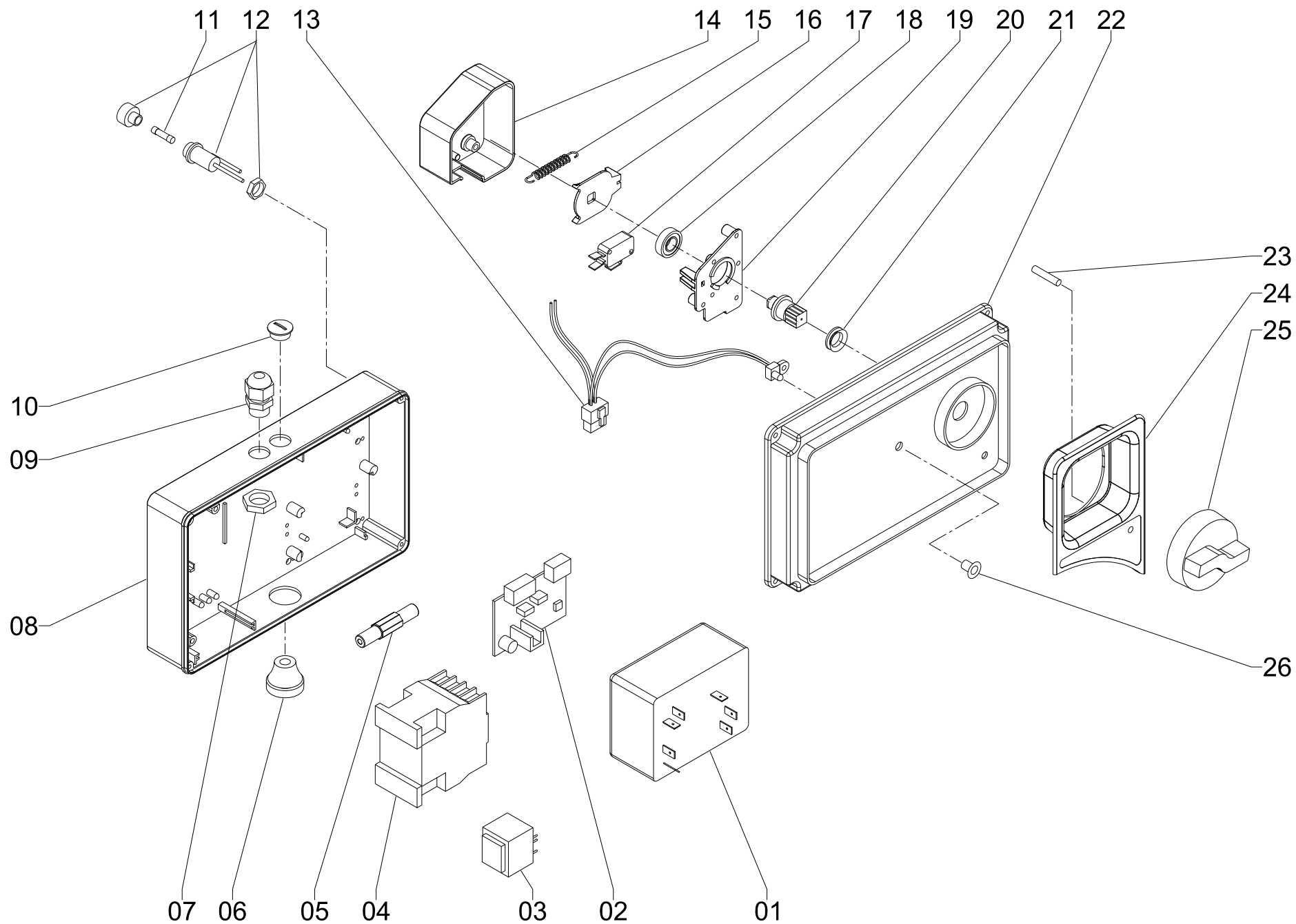


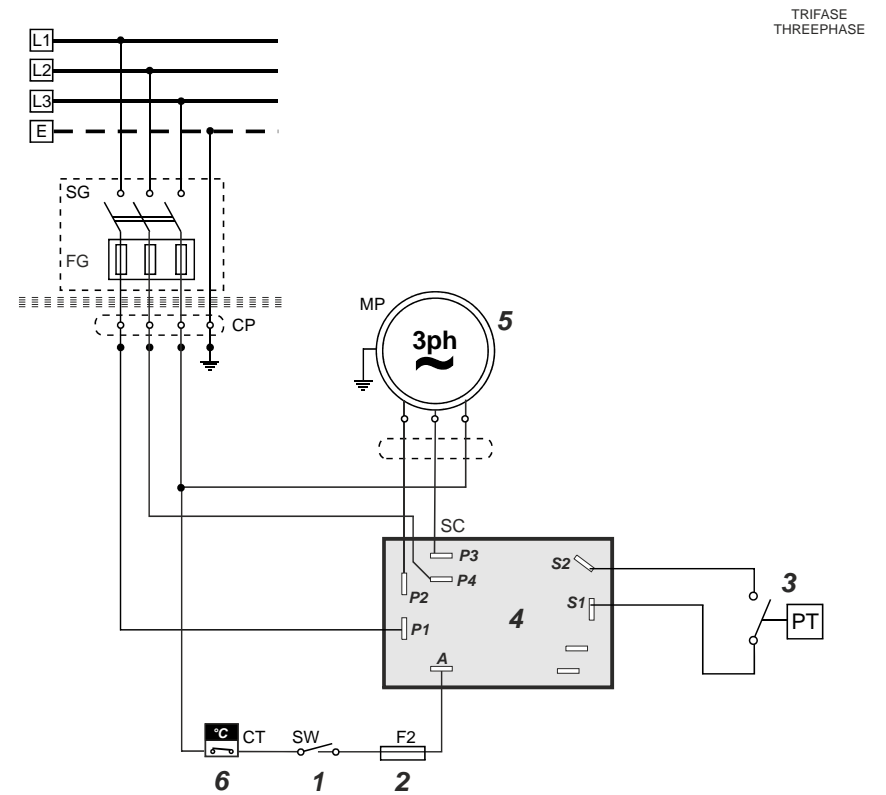
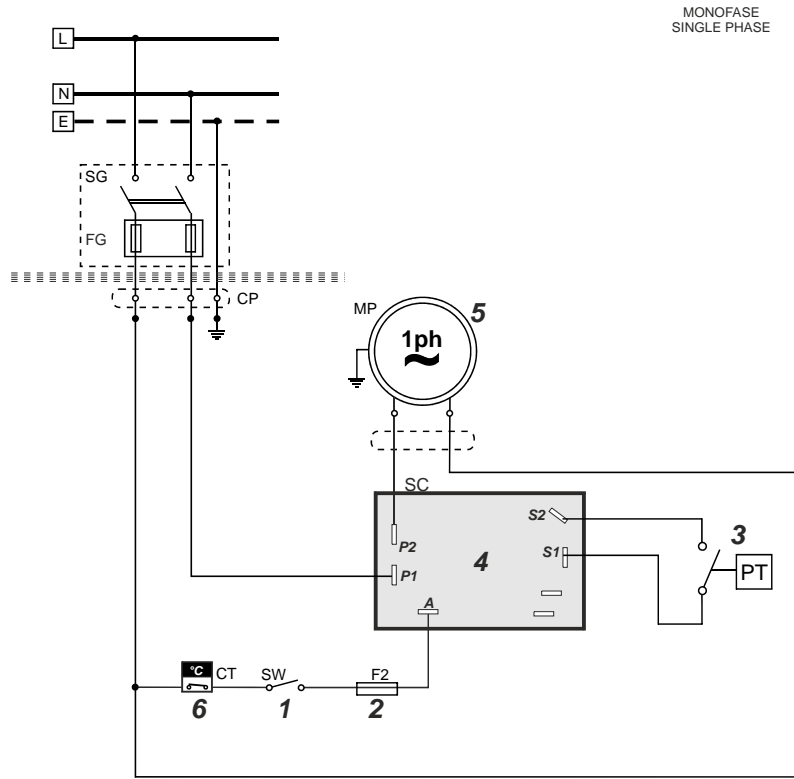
TABLE N° EXPL00127

SPARE PARTS LIST

ELECTRIC PANEL MIDIA

26/11/2015

REF	CODE	QTY	DESCRIPTION	DENOMINATION	BESCHREIBUNG	DESCRIPCION	DESCRIZIONE	TECNICAL FEATURES
01	B. MESC00019	01	ELEC. CIRCUIT	CIRQUIT. ELECT.	ELEKTR. STROM.	CIRCUITO ELECT.	SCHEDA	MIDIA TS 150.9 - 130.10
01	B. MESC00020	01	ELEC. CIRCUIT	CIRQUIT. ELECT.	ELEKTR. STROM.	CIRCUITO ELECT.	SCHEDA	MIDIA TS 160.15 - 190.13 - 200.15
02	B. MESC00017	01	ELEC. CIRCUIT	CIRQUIT. ELECT.	ELEKTR. STROM.	CIRCUITO ELECT.	SCHEDA	MIDIA PLUS
03	B. METR00027	01	TRANSFORMER	TRANSFORMATEUR	TRANSFORMER	TRANSFORMADOR	TRASFORMATORE	MIDIA PLUS
04	E10442	01	CONTACTOR	CONTACTEUR	FERNSCHALTER	CONTACTOR	TELERUTTORE	altre/other MIDIA BP/PLUS
04	E10419	01	CONTACTOR	CONTACTEUR	FERNSCHALTER	CONTACTOR	TELERUTTORE	MIDIA BP/PLUS 130.10
05	E20507-1	01	FUSE-HOLDER	PORTE-FUSIBLES	SICHERUNGHALTER	PORTASFUSIBLES	PORTAFUSIBILE	
06	B. MEVR00294	02	CABLE CLAMP	COLLIER	KABELSCHELLE	ABRAZADERA CABL	PRESSACAVO	
07	E20932	03	RING NUT	FRETTE	NUTMUTTER	CASQUILLO	GHIERA	
08	B. PLDS00292	01	BOX	BOÎTE	KASTEN	CAJA	SCATOLA	
09	E20943	02	CABLE CLAMP	COLLIER	KABELSCHELLE	ABRAZADERA CABL	PRESSACAVO	
10	B. MEVR00327	01	CAP	BOUCHON	VERSCHLUSS	TAPPO		
11	E10326	01	FUSE	FUSIBLE	ABSCHMEL.HERUNG	FUSIBLE	FUSIBILE	
12	B. MEVR00326	01	FUSE-HOLDER	PORTE-FUSIBLES	SICHERUNGHALTER	PORTASFUSIBLES	PORTAFUSIBILE	KIT (MIDIA PLUS)
13	B. PMVR00184	01	LED DIODE	DIODE LED	DIODE LED	LED DIODO	DIODO LED	
14	B. PLDS00329	01	COVER	COUVERCLE	DECKEL	TAPA	COPERCHIO	
15	B. MOLL00046	01	SPRING	RESSORT	FEDER	MUELLE	MOLLA	
16	B. PLDS00328	01	LEVER	LEVIER	HEBEL	PALANCA	LEVA	
17	B. MEIP00057	01	SWITCH	INTERRUPTEUR	SCHALTER	INTERRUPTOR	INTERRUTTORE	
18	B. CUSC00032	01	BEARING	ROULEMENT	LAGER	COJINETE	CUSCINETTO	
19	B. PLDS00327	01	SUPPORT	SUPPORT	HALTER	SOPORTE	SUPPORTO	
20	B. CMMP00149	01	INSERT	INSERT	EINSATZ	INSERTO	INSERTO	
21	B. GUAR00112	01	GASKET	GARNITURE	DICHTUNG	GUARNICION	GUARNIZIONE	
22	B. PLDS00293	01	COVER	COUVERCLE	DECKEL	TAPA	COPERCHIO	
23	B. PLDS00351	01	GAUGE	JAUGE	MESSER	INDICADOR	SPIA	Per luce LED / for LED light
24	B. PLDS00348	01	COVER	COUVERCLE	DECKEL	TAPA	COPERCHIO	
25	B. CMMP00110	01	KNOB	POIGNEE	VERSTELLGRIFF	MANOPOLA	MANOPOLA	
26	B. CMMP00152	01	CAP	BOUCHON	VERSCHLUSS	TAPPO	TAPPO	



REF	CODE	QTY	DESCRIPTION	DENOMINATION	BESCHREIBUNG	DESCRIPCION	DESCRIZIONE	TECNICAL FEATURES
01	B. MEIP00057	01	SWITCH	INTERRUPTEUR	SCHALTER	INTERRUPTOR	INTERRUTTORE	monofase - single phase 110V / 50 monofase - single phase 230V trifase - three phase 400V vedi esploso macchina/see exploded MAXIMA - MODULA
02	E10326	01	FUSE	FUSIBLE	ABSCHMEL.HERUNG	FUSIBLE	FUSIBILE	
02	E10326	01	FUSE	FUSIBLE	ABSCHMEL.HERUNG	FUSIBLE	FUSIBILE	
03	B. MEIP00059	01	SWITCH	INTERRUPTEUR	SCHALTER	INTERRUPTOR	INTERRUTTORE	
04	B. MESC00004	01	ELEC. CIRCUIT	CIRQUIT. ELECT.	ELEKTR. STROM.	CIRCUITO ELECT.	SCHEDA	
04	B. MESC00019	01	ELEC. CIRCUIT	CIRQUIT. ELECT.	ELEKTR. STROM.	CIRCUITO ELECT.	SCHEDA	
04	B. MESC00020	01	ELEC. CIRCUIT	CIRQUIT. ELECT.	ELEKTR. STROM.	CIRCUITO ELECT.	SCHEDA	
05		01	MOTOR	MOTEUR	MOTOR	MOTOR	MOTORE	
06		01	TERMIC PROTECT.	PROTECT. TERMIC	TERMIC SCHUTZ	PROTEC. TÉRMICA	TERMICA	
07	B. MEIP00059	01	SWITCH	INTERRUPTEUR	SCHALTER	INTERRUPTOR	INTERRUTTORE	

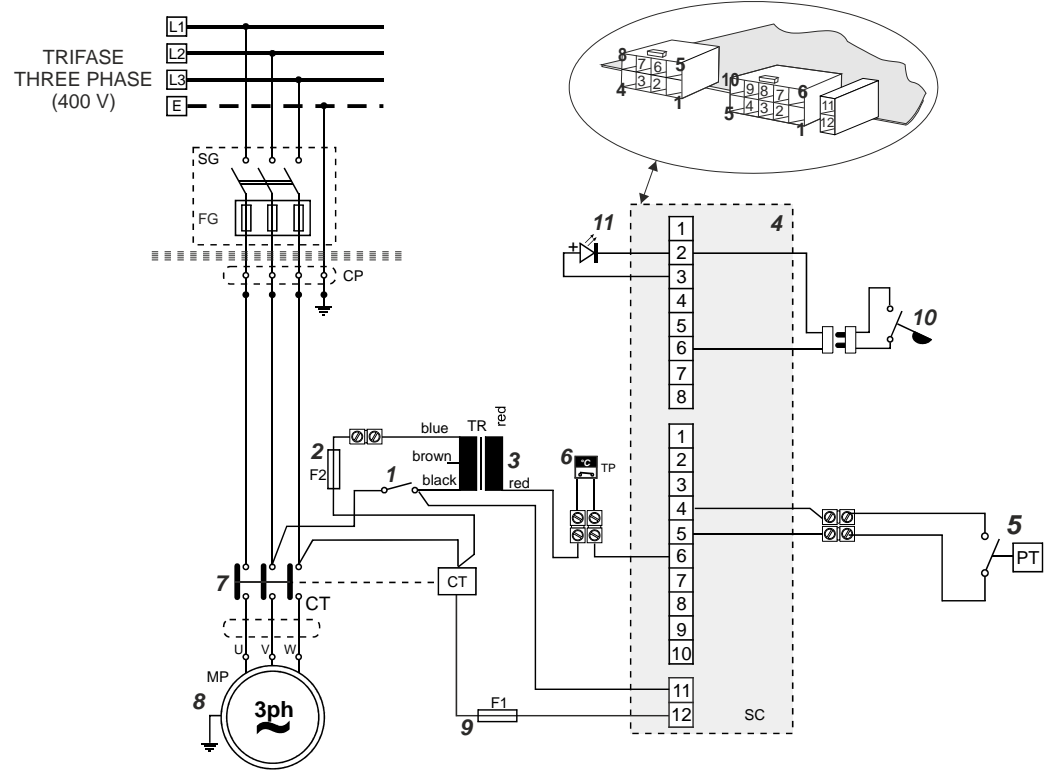
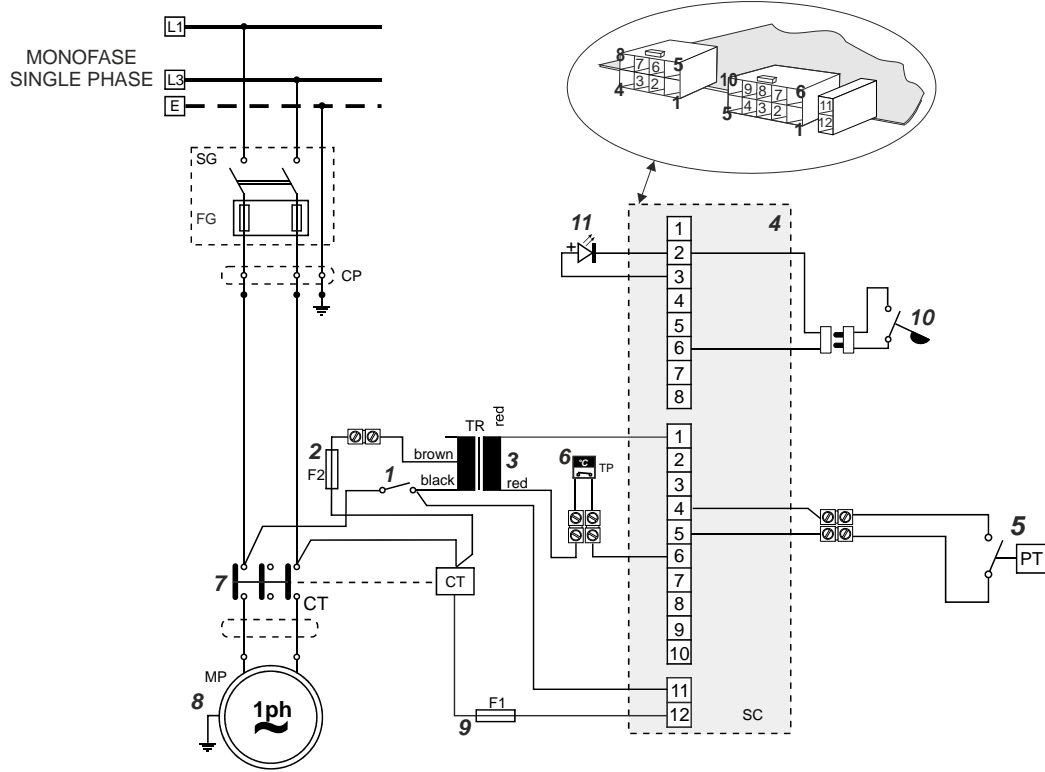


TABLE N° EXPL00181

SPARE PARTS LIST

EL. DIAGRAM MIDIA ACDS

08/02/2017

REF	CODE	QTY	DESCRIPTION	DENOMINATION	BESCHREIBUNG	DESCRIPCION	DESCRIZIONE	TECNICAL FEATURES		
01	B. MEIP00057	01	SWITCH	INTERRUPTEUR	SCHALTER	INTERRUPTOR	INTERRUPTORE			
02	E10326	01	FUSE	FUSIBLE	ABSCHMEL.HERUNG	FUSIBLE	FUSIBILE	0,5 A		
03	B. METR00027	01	TRANSFORMER	TRANSFORMATEUR	TRANSFORMER	TRANSFORMADOR	TRASFORMATORE			
04	B. MESC00017	01	ELEC. CIRCUIT	CIRQUIT. ELECT.	ELEKTR. STROM.	CIRCUITO ELECT.	SCHEDA			
05	B. MEIP00059	01	SWITCH	INTERRUPTEUR	SCHALTER	INTERRUPTOR	INTERRUPTORE			
06		01	TERMIC PROTECT.	PROTECT. TERMIC	TERMIC SCHUTZ	PROTEC. TÉRMICA	TERMICA	(nel motore / inside motor)		
07	B. METR00033	01	CONTACTOR	CONTACTEUR	FERNSCHALTER	CONTACTOR	TELERUTTORE	MIDIA BP 150.15 - 190.13		
07	B METR00042	01	CONTACTOR	CONTACTEUR	FERNSCHALTER	CONTACTOR	TELERUTTORE	MIDIA BP 130.10		
08		01	MOTOR	MOTEUR	MOTOR	MOTOR	MOTORE	vedi esploso macchina/see exploded		
09	E10327	01	FUSE	FUSIBLE	ABSCHMEL.HERUNG	FUSIBLE	FUSIBILE	0,63 A		
10	B. MEIP00049	01	SWITCH	INTERRUPTEUR	SCHALTER	INTERRUPTOR	INTERRUPTORE	level switch - optional		
11		01	LED	LED	LED	LED	LED			



BIEMMEDUE S.p.A. - Via Industria, 12 - 12062 - CHERASCO (CN) - Italy
Tel. +39 0172 486111 - Fax +39 0172 488270
www.biemmedue.com - e-mail: bm2@biemmedue.com